

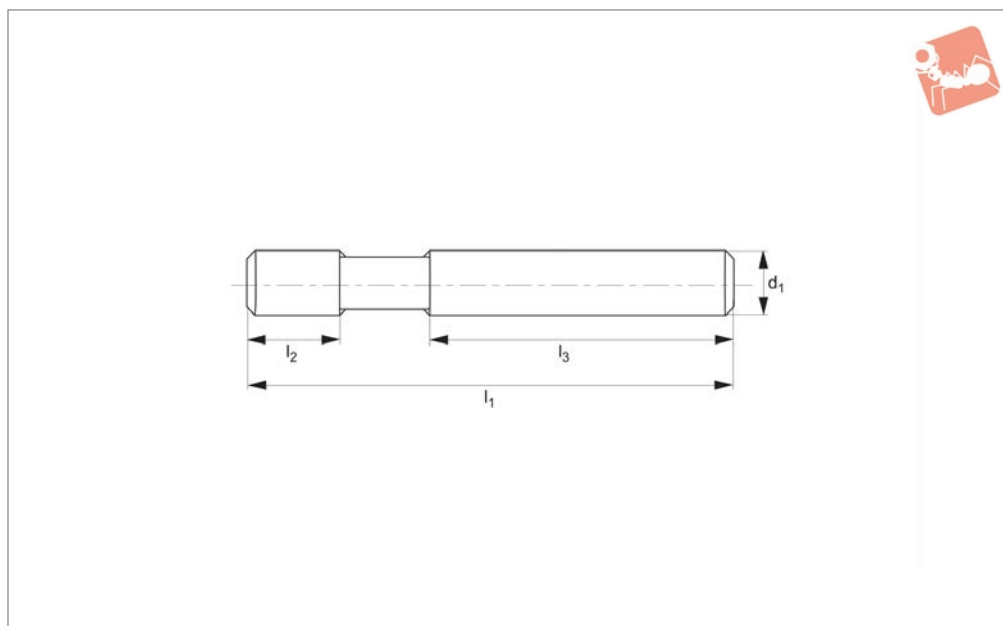


# Studs

strength class 8,8/10,9



# T-Nuts & T-Bolts



## 21100

T-NUTS & T-BOLTS

### Material

Forged steel, rolled thread, heat-treated.

M 6-M12 - tensile strength class 10,9.  
M14-M42 tensile strength class 8,8.

and 25000 for appropriate T-nuts, fixture nuts, collar nuts and washers.

### Technical Notes

Produced to DIN 6379.

### Tips

Please refer to nos. 24000, 24300, 24400

Order No.	$d_1 \times l_1$	$l_2$	$l_3$	Weight g
21100.W0061	M 6x32	9	16	8
21100.W0062	M 6x40	9	20	9
21100.W0063	M 6x50	9	30	11
21100.W0064	M 6x63	9	40	14
21100.W0065	M 6x80	9	50	18
21100.W0081	M 8x40	11	20	10
21100.W0082	M 8x63	11	40	20
21100.W0083	M 8x80	11	50	25
21100.W0084	M 8x100	11	63	30
21100.W0085	M 8x160	11	100	45
21100.W0086	M 8x125	11	75	36
21100.W0101	M10x50	13	25	25
21100.W0102	M10x80	13	50	40
21100.W0103	M10x100	13	75	50
21100.W0104	M10x125	13	75	62
21100.W0105	M10x160	13	100	80
21100.W0106	M10x200	13	125	100
21100.W0121	M12x50	15	25	37
21100.W0122	M12x63	15	32	45
21100.W0123	M12x80	15	50	55
21100.W0124	M12x100	15	63	70
21100.W0125	M12x125	15	75	90
21100.W0126	M12x160	15	100	113
21100.W0127	M12x200	15	125	140
21100.W0141	M14x63	17	32	80
21100.W0142	M14x100	17	63	90
21100.W0143	M14x160	17	100	150
21100.W0144	M14x200	17	125	195
21100.W0145	M14x250	17	160	240
21100.W0146	M14x80	17	50	85
21100.W0147	M14x125	17	75	120
21100.W0161	M16x63	19	32	85
21100.W0162	M16x80	19	50	105
21100.W0163	M16x100	19	63	130



Order No.	d <sub>1</sub> x l <sub>1</sub>	l <sub>2</sub>	l <sub>3</sub>	Weight g
21100.W0164	M16x125	19	75	160
21100.W0165	M16x160	19	100	218
21100.W0166	M16x200	19	125	280
21100.W0167	M16x250	19	160	325
21100.W0168	M16x315	19	180	425
21100.W0169	M16x500	19	315	650
21100.W0181	M18x80	23	50	130
21100.W0182	M18x125	23	75	200
21100.W0183	M18x160	23	100	255
21100.W0184	M18x200	23	125	320
21100.W0185	M18x250	23	150	400
21100.W0186	M18x315	23	180	500
21100.W0201	M20x80	27	32	185
21100.W0202	M20x125	27	70	255
21100.W0203	M20x160	27	100	330
21100.W0204	M20x200	27	125	410
21100.W0205	M20x250	27	160	510
21100.W0206	M20x315	27	200	640
21100.W0207	M20x400	27	250	815
21100.W0208	M20x500	27	315	1020
21100.W0221	M22x100	31	45	270
21100.W0222	M22x160	31	100	430
21100.W0223	M22x200	31	125	500
21100.W0224	M22x250	31	160	670
21100.W0225	M22x315	31	180	790
21100.W0226	M22x400	31	250	1070
21100.W0241	M24x100	35	45	290
21100.W0242	M24x125	35	70	380
21100.W0243	M24x160	35	100	470
21100.W0244	M24x200	35	125	580
21100.W0245	M24x250	35	160	730
21100.W0246	M24x315	35	200	920
21100.W0247	M24x400	35	250	1160
21100.W0248	M24x500	35	315	1460
21100.W0249	M24x630	35	315	1850
21100.W0271	M27x125	39	56	485
21100.W0272	M27x200	39	125	770
21100.W0273	M27x315	39	200	1110
21100.W0274	M27x400	39	250	1535
21100.W0275	M27x500	39	315	1930
21100.W0301	M30x125	43	56	590
21100.W0302	M30x200	43	125	950
21100.W0303	M30x315	43	200	1490
21100.W0304	M30x500	43	315	2360
21100.W0305	M30x700	43	400	3300
21100.W0306	M30x1000	43	400	4700
21100.W0361	M36x160	51	80	1100
21100.W0362	M36x200	51	125	1340
21100.W0363	M36x250	51	160	1710
21100.W0364	M36x315	51	200	2150
21100.W0365	M36x400	51	250	2700
21100.W0366	M36x500	51	315	3450
21100.W0367	M36x700	51	400	4750
21100.W0421	M42x315	59	200	2950
21100.W0422	M42x400	59	250	3750



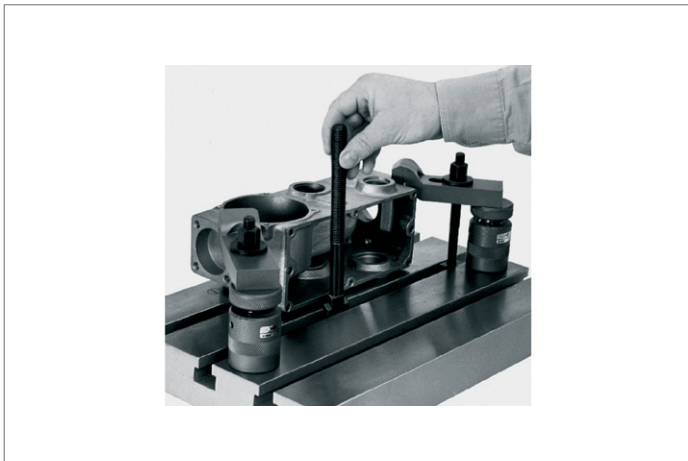
# Studs

strength class 8,8/10,9



# T-Nuts & T-Bolts

Order No.	$d_1 \times l_1$	$l_2$	$l_3$	Weight g
21100.W0423	M42x500	59	315	4690



T-NUTS & T-BOLTS