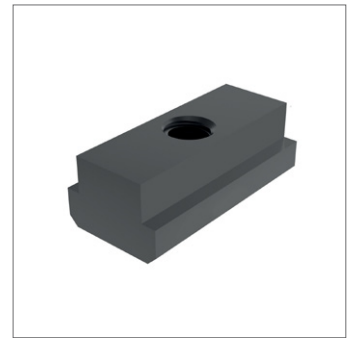
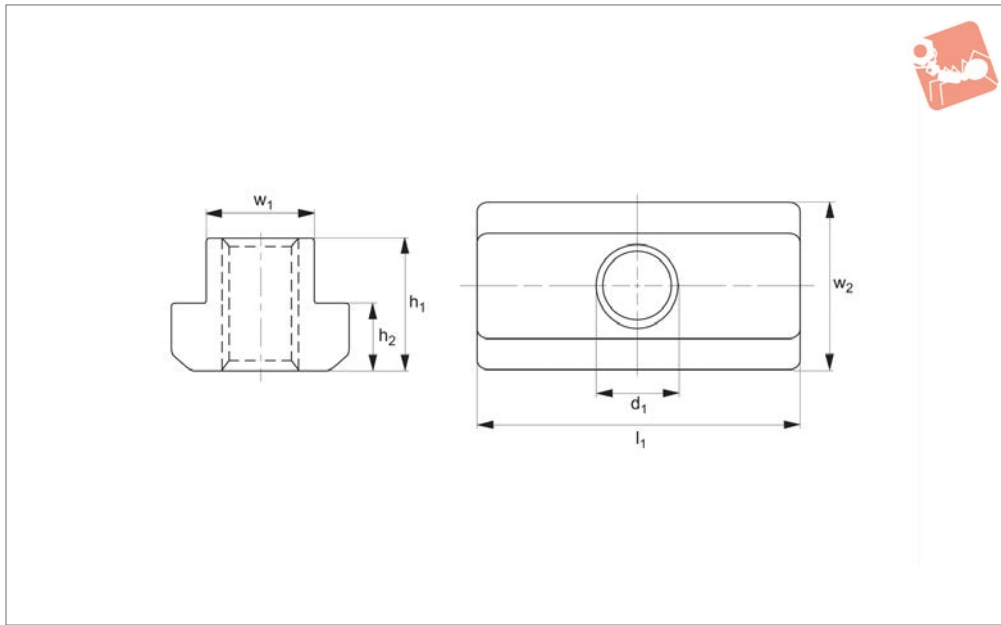




# Extended T-Nuts

strength class 10

## T-Nuts & T-Bolts



### 24100

T-NUTS & T-BOLTS

#### Material

Steel, heat treated.  
Tensile strength class 10.

#### Technical Notes

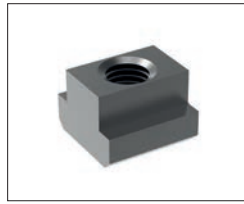
The extended length of the T-nut protects T-slots from damage.

Order No.	d <sub>1</sub> x T-Slot	w <sub>1</sub>	w <sub>2</sub>	h <sub>1</sub>	h <sub>2</sub>	l <sub>1</sub>	Weight g
24100.W0060	M 5x6	5.7	10	8	4	20	8
24100.W0080	M 6x8	7.7	13	10	6	26	14
24100.W0100	M 8x10	9.7	15	12	6	30	30
24100.W0120	M10x12	11.7	18	14	7	36	49
24100.W0140	M12x14	13.7	22	16	8	44	82
24100.W0160	M14x16	15.7	25	18	9	50	120
24100.W0180	M16x18	17.7	28	20	10	56	170
24100.W0200	M18x20	19.7	32	24	12	64	260
24100.W0220	M20x22	21.7	35	28	14	70	360
24100.W0280	M24x28	27.7	44	36	18	88	730
24100.W0360	M30x36	35.6	54	44	22	108	1390

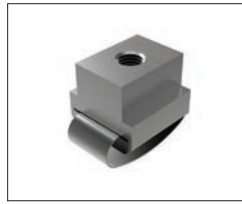


**Nuts**

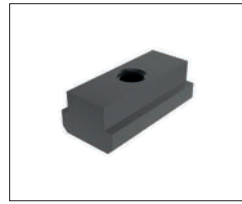
Available in heat treated steel, unless stated otherwise.



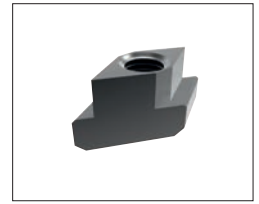
**24000** T-Nut, Strength Class 10 DIN 508.



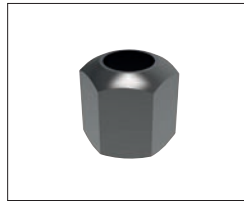
**24010** T-Nut with Anti-Slip Device.



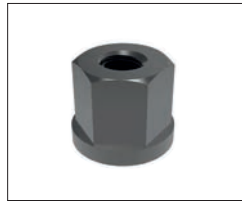
**24100** Extended T-Nut. Strength Class 10.



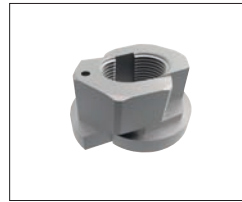
**24120** Rhombus T-Nuts



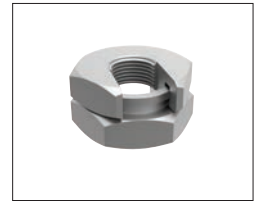
**24300** Fixture Nuts. Strength Class 10 - DIN 6330B



**24400** Collar Nuts, DIN 6331



**24502** Fast Nut - With Collar Rapid Assembly Nut



**24520** - Steel Slip-On Lock Nuts - Rapid Assembly Nut.



**24600** Extension Nuts Strength Class 10.



**24620** Swivel Nuts, Conical Seat

**Washers**

Available in a range of steel types - see product for details.



**25000** - Hardened Steel - Plain Washers. DIN 6340.



**25100** - Case Hardened Steel - Spherical Seat Washers. Type C - DIN 6319C.



**25400** - Case Hardened Steel - Dished Washers, Type D - DIN 6319D.



**25700** - Tempered Steel - Dished Washers, Type G - DIN 6319G.



**25900** - Stainless Steel Compact Spherical Washer, Conical Seat, similar to DIN6319