

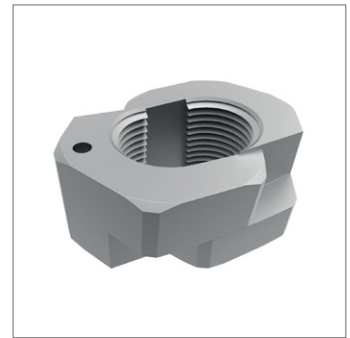
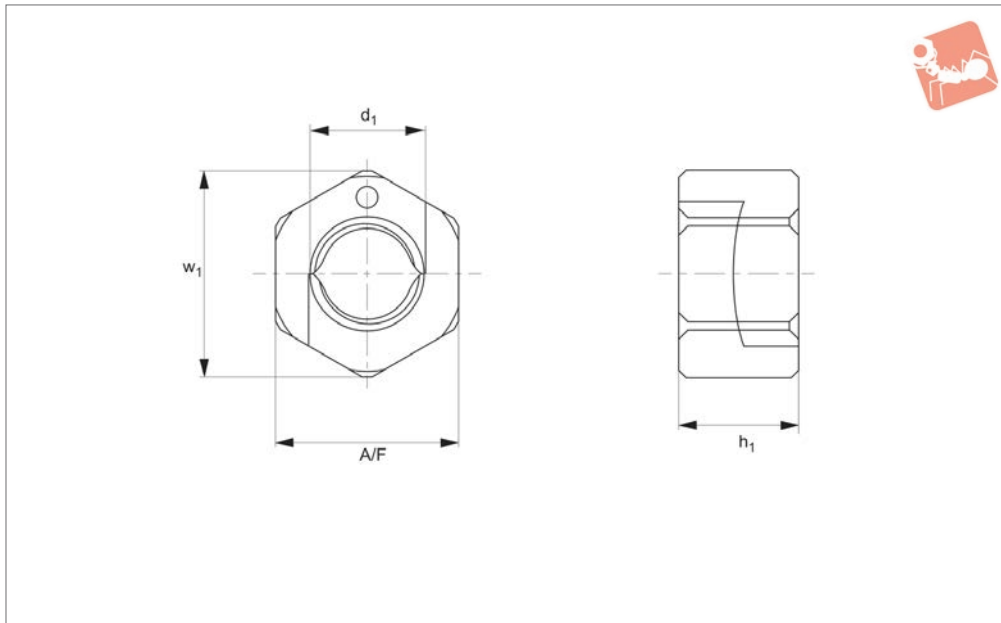


Fast Nut - Without Collar

rapid assembly nut



Nuts



24504

NUTS

Material

Steel, heat treated, zinc plated.
Strength class 10.

Technical Notes

For rapid mounting and dismantling of

nuts over long or damaged studding, and even a studding bent by up to 20°. Where nut components are held together and are unattachable - simply push over thread, engage and a quarter or half turn is

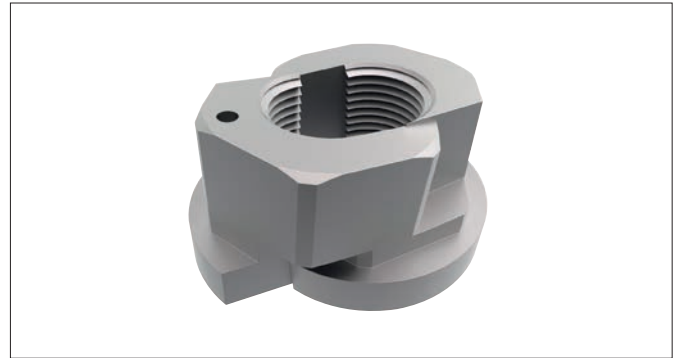
adequate for locking. Provides clamping similar to solid nuts of the same thread size. Time saving when dealing with long or damaged studding.

Order No.	d ₁	w ₁	h ₁	A/F	Weight g
24504.W0106	M 6	11	6	10	3
24504.W0108	M 8	14	8	13	6
24504.W0110	M10	19	10	17	14
24504.W0112	M12	21	12	19	20
24504.W0116	M16	27	16	24	39
24504.W0120	M20	33	20	30	75
24504.W0124	M24	40	24	36	131





The Fast Nut is quickly assembled, simply pull apart the segments to open - slide nut over thread to required location. Push the two threaded segments together to engage on thread. Lock the nut in place with a simple quarter to half turn of a standard spanner.



NUTS

Quick Fastening

- There are no problems if the top of a threaded rod is damaged, the Fast Nut can slip over the damaged section.
- There are no issue of cross threading.
- Easy assembly in confined spaces.
- Flexibility to leave clamping to the last moment.

Disassembly

Ease the nut off a quarter turn with a spanner, unlock the Fast Nut and remove from the thread.

Quick Release

- For quick release and disassembly of the nut simply pull apart the nut casing to release.
- Zinc plated for a degree of rust protection.
- The Fast Nut simply slips over a rusted or paint covered thread to the fixing area.
- No issue of thread seizing.
- Time saving, yet just as high holding force!
- Can slip over damaged or bent studding up to an angle of approx. 20°.

Available Sizes

- M6, M8, M10, M12, M16, M20, M24.

Applications

- Construction industry.
- Temporary buildings, scaffolding.
- Automotive.
- Flange and instrument fittings.
- Jig and fixture builds.
- Mechanical applications.

Saving Time, Effort and Cost

- Up to 50% faster assembly and disassembly (up to 500% in difficult and confined environments).
- One piece, so individual parts can't be lost
- Maintenance free and re-usable.
- Corrosion resistant, ideal for outdoors.

Technical Data

- Two part construction, with parts retained (undetachable).
- Tempering and surface protection to DIN/ISO standards as for a normal nut.
- Thread interference up to 180% of a standard nut.
- No need for a special spanner.

Material

- Heat treated steel, zinc plated.
- Strength class 10 = 1060 N/mm2.
- Temperature resistant to +150°C.

