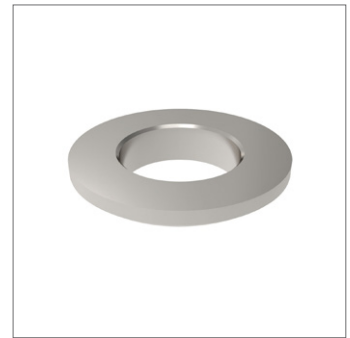
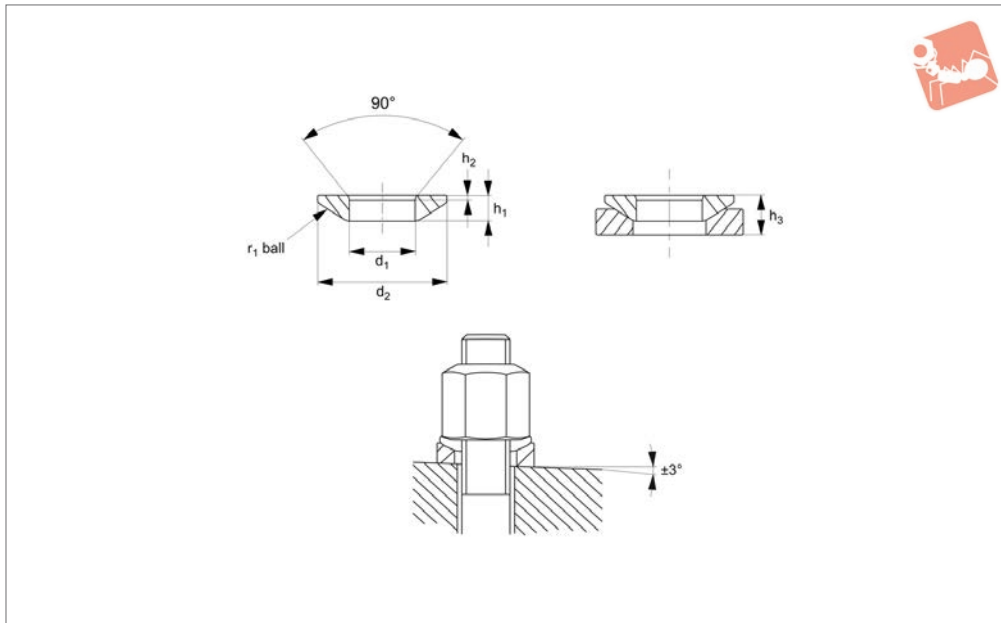




Washers - Spherical Seat stainless steel 303



Washers



25200

WASHERS

Material

Stainless steel (AISI 303, 1.4305), A2-70.

Technical Notes

Similar to DIN 6319C.

Used with dished washers no. 25500 (type

D), and no. 25800 (type G).

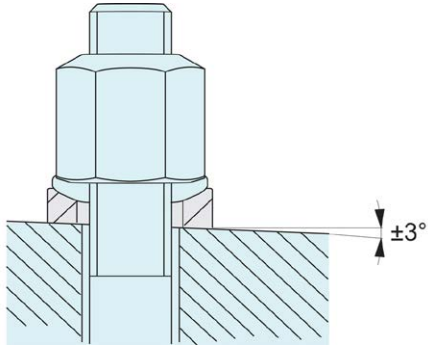
Tips

When clamping over holes or slots which do not provide full surface contact to the washer, only use no. 25200 in combination

with washer no. 25800 (type G)- do not use in combination with no. 25500 (type D) in such situations.

*Torques for screws A2-70 are approximate values.

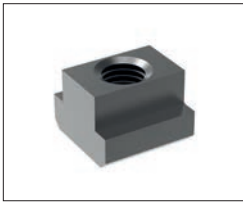
Order No.	For thread	For thread inch	d ₁ tol. H13	d ₂	h ₁	h ₂	r ₁	Static load kN max.	Torque for screwed connectors Nm max.	With 25500 h ₃	With 25800 h ₃	Weight g
25200.W0306	M 6	1/4"	6,4	12	2,3	0,7	9	6	6	4,0	5,2	1
25200.W0308	M 8	5/16"	8,4	17	3,2	0,6	12	12	16	5,3	6,8	3
25200.W0310	M10	3/8"	10,5	21	4,0	0,8	15	16	32	6,3	7,1	5
25200.W0312	M12	1/2"	13,0	24	4,6	1,1	17	24	56	7,9	8,9	8
25200.W0316	M16	5/8"	17,0	30	5,3	1,3	22	45	135	9,3	10,1	13
25200.W0320	M20	3/4"	21,0	36	6,3	2,0	27	71	280	11,6	12,1	23
25200.W0324	M24	7/8"	25,0	44	8,2	2,4	32	105	455	14,9	15,4	46
25200.W0330	M30	1-1/8", 1-3/16"	31,0	56	11,2	3,6	41	191	1050	18,8	18,8	104
25200.W0336	M36	1-1/4", 1-3/8"	37,0	68	14,0	4,6	50			23,4		193
25200.W0342	M42	1-1/2"	43,0	78	17,0	6,5	58			28,3		313
25200.W0348	M48	1-3/4"	50,0	92	21,0	8,0	67			35,0		545



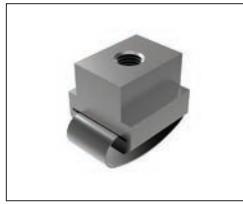


Nuts

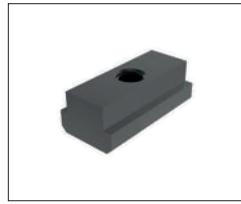
Available in heat treated steel, unless stated otherwise.



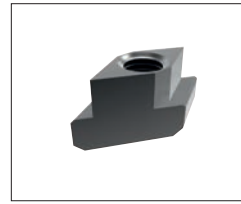
24000 T-Nut, Strength Class 10 DIN 508.



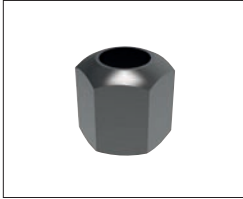
24010 T-Nut with Anti-Slip Device.



24100 Extended T-Nut. Strength Class 10.



24120 Rhombus T-Nuts



24300 Fixture Nuts. Strength Class 10 - DIN 6330B



24400 Collar Nuts, DIN 6331



24502 Fast Nut - With Collar Rapid Assembly Nut



24520 - Steel Slip-On Lock Nuts - Rapid Assembly Nut.



24600 Extension Nuts Strength Class 10.



24620 Swivel Nuts, Conical Seat

Washers

Available in a range of steel types - see product for details.



25000 - Hardened Steel - Plain Washers, DIN 6340.



25100 - Case Hardened Steel - Spherical Seat Washers, Type C - DIN 6319C.



25400 - Case Hardened Steel - Dished Washers, Type D - DIN 6319D.



25700 - Tempered Steel - Dished Washers, Type G - DIN 6319G.



25900 - Stainless Steel Compact Spherical Washer, Conical Seat, similar to DIN6319