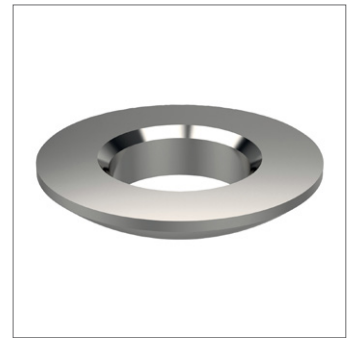
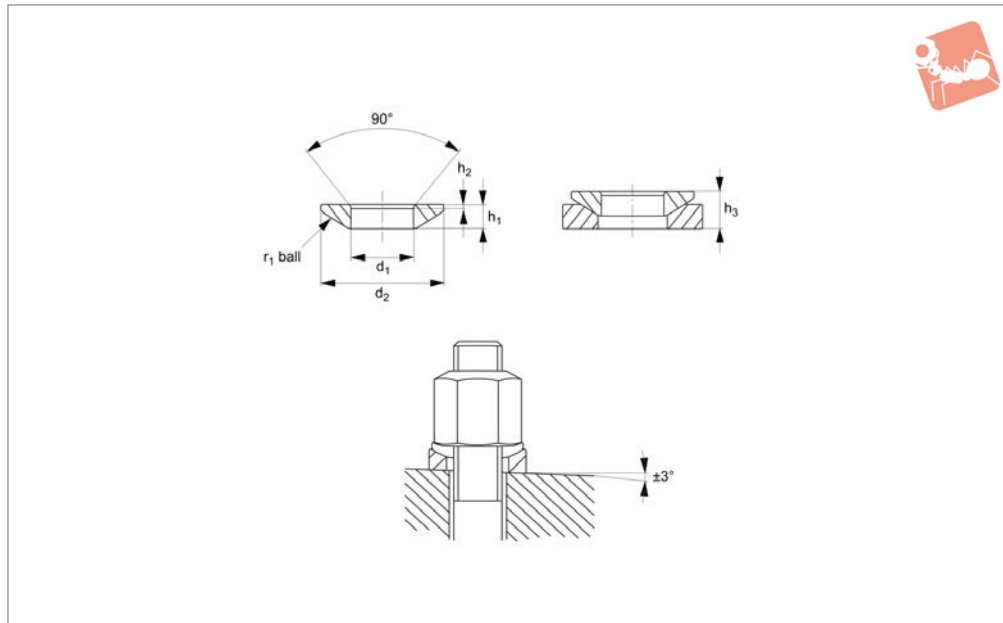




Washers - Spherical Seat stainless steel 316



Washers



25205

WASHERS

Material

Stainless steel (AISI 316, 1.4401).

Technical Notes

Similar to DIN 6319C.

Used with dished washers no. 25505 (type

D), and no. 25805 (type G).

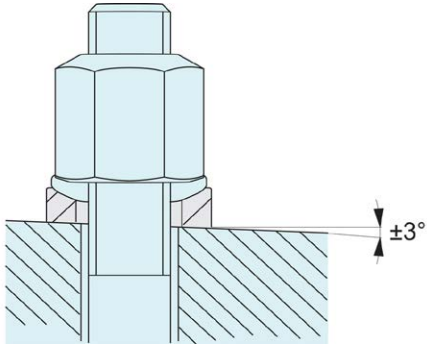
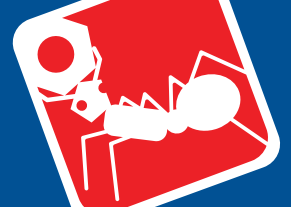
Tips

When clamping over holes or slots which do not provide full surface contact to the washer, only use no. 25205 in combination

with washer no. 25805 (type G) - do not use in combination with no. 25505 (type D) in such circumstances.

*Torques for screws A2-70 are approximate values.

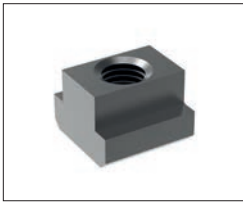
Order No.	For thread	For thread inch	d ₁ tol. H13	d ₂	h ₁	h ₂	r ₁	Static load kN max.	Torque for screwed connectors Nm max.	With 25505 h ₃	With 25805 h ₃	Weight g
25205.W0306	M 6	1/4"	6,4	12	2,3	0,7	9	6	6	4,0	5,2	1
25205.W0308	M 8	5/16"	8,4	17	3,2	0,6	12	12	16	5,3	6,8	3
25205.W0310	M10	3/8"	10,5	21	4,0	0,8	15	16	32	6,3	7,1	5
25205.W0312	M12	1/2"	13,0	24	4,6	1,1	17	24	56	7,9	8,9	8
25205.W0316	M16	5/8"	17,0	30	5,3	1,3	22	45	135	9,3	10,1	13
25205.W0320	M20	3/4"	21,0	36	6,3	2,0	27	71	280	11,6	12,1	23
25205.W0324	M24	7/8"	25,0	44	8,2	2,4	32	105	455	14,9	15,4	46
25205.W0330	M30	1-1/8", 1-3/16"	31,0	56	11,2	3,6	41	191	1050	18,8	18,8	104
25205.W0336	M36	1-1/4", 1-3/8"	37,0	68	14,0	4,6	50			23,4		193
25205.W0342	M42	1-1/2"	43,0	78	17,0	6,5	58			28,3		313
25205.W0348	M48	1-3/4"	50,0	92	21,0	8,0	67			35,0		545



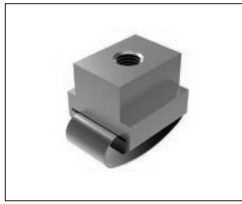


Nuts

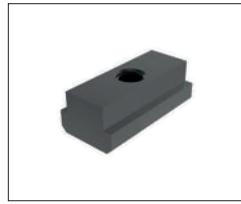
Available in heat treated steel, unless stated otherwise.



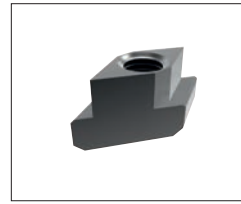
24000 T-Nut, Strength Class 10 DIN 508.



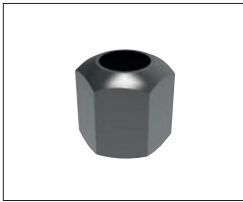
24010 T-Nut with Anti-Slip Device.



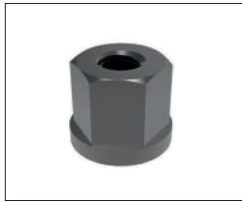
24100 Extended T-Nut. Strength Class 10.



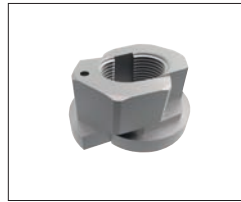
24120 Rhombus T-Nuts



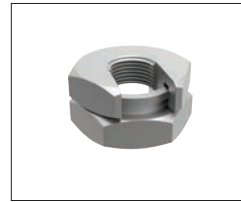
24300 Fixture Nuts. Strength Class 10 - DIN 6330B



24400 Collar Nuts, DIN 6331



24502 Fast Nut - With Collar Rapid Assembly Nut



24520 - Steel Slip-On Lock Nuts - Rapid Assembly Nut.



24600 Extension Nuts Strength Class 10.



24620 Swivel Nuts, Conical Seat

Washers

Available in a range of steel types - see product for details.



25000 - Hardened Steel - Plain Washers. DIN 6340.



25100 - Case Hardened Steel - Spherical Seat Washers. Type C - DIN 6319C.



25400 - Case Hardened Steel - Dished Washers, Type D - DIN 6319D.



25700 - Tempered Steel - Dished Washers, Type G - DIN 6319G.



25900 - Stainless Steel Compact Spherical Washer, Conical Seat, similar to DIN6319