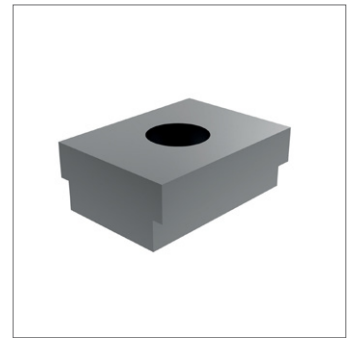
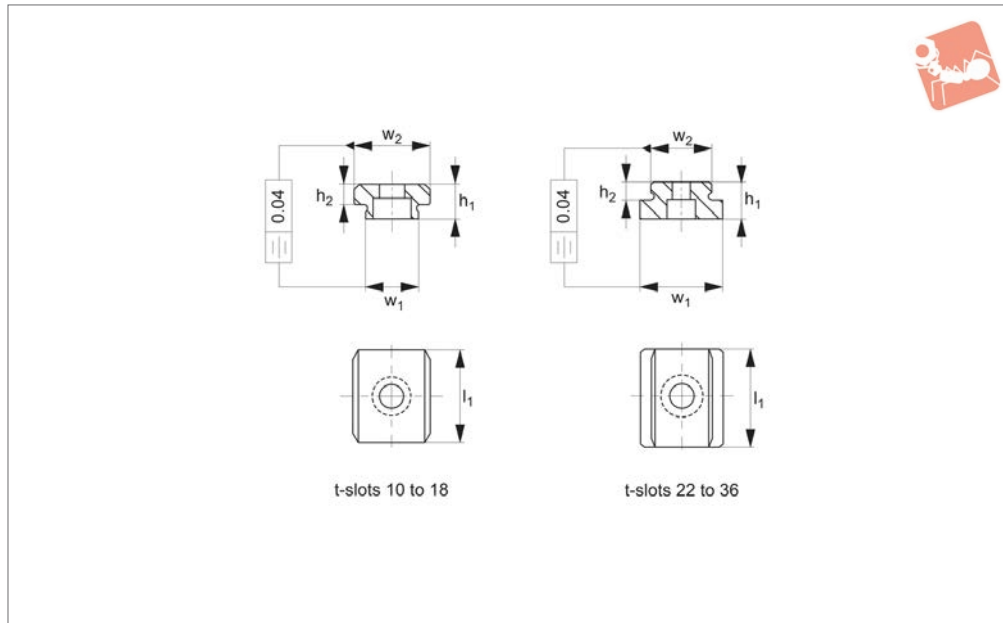




# Fixed Slot Tenons with cylindrical fastening

## Tenons, Locating Pads & Drill



**30060**

TENONS, LOCATING PADS & DRILL BUSHES

### Material

Steel, case-hardened (C15), blackened and ground.

### Technical Notes

Fixed type tenons, used in pairs, are

screwed onto the bases of vices and fixtures having standard slot sizes of 20mm. The tenon interfaces into machine T-slots of varying widths. For heavy fixtures use loose tenons no. 30040.

Order No.	Machine slot Size $w_1$ tol. h6	$l_1$	Fixture slot size $w_2$ tol. h6	$h_1$	$h_2$	For screws DIN 84 & DIN 912	Weight g
30060.W0010	10	22	20	10	5.5	M 6x10	20
30060.W0012	12	22	20	10	5.5	M 6x10	25
30060.W0014	14	25	20	10	5.5	M 6x16	28
30060.W0016	16	25	20	10	5.5	M 6x16	30
30060.W0018	18	25	20	10	5.5	M 6x16	30
30060.W0022	22	32	20	12	5.5	M 6x16	50
30060.W0024	24	32	20	12	5.5	M 6x16	55
30060.W0028	28	32	20	12	5.5	M 6x16	60
30060.W0036	36	32	20	12	5.5	M 6x16	75