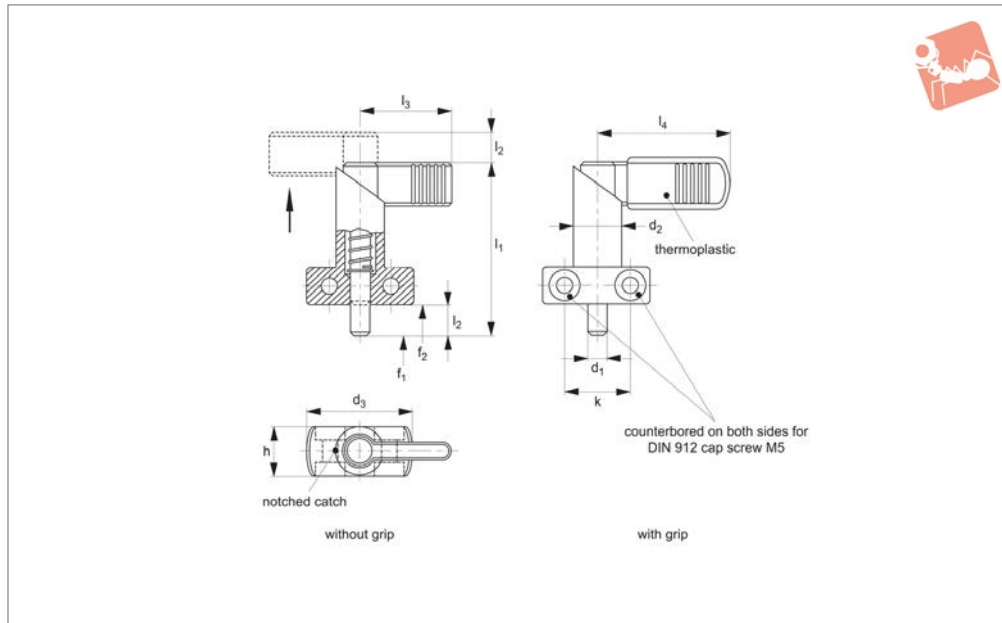




# Index Plungers - Lever Grip

flange mounting - locking

# Index Plunger & Pins



**32520**

INDEX PLUNGER & PINS

### Material

Body & Lever: free cutting steel, blackened.

Pin: steel, nitrided, black.

Plastic Grip: thermoplastic, black, dull.

### Technical Notes

Turn lever 180° to retract pin. To enable

pin to be held in retracted position, secure lever in notched catch on plunger body.

Countersunk holes on both sides of mounting flange enable both right or left mounting.

Plastic grip type, improves handling.

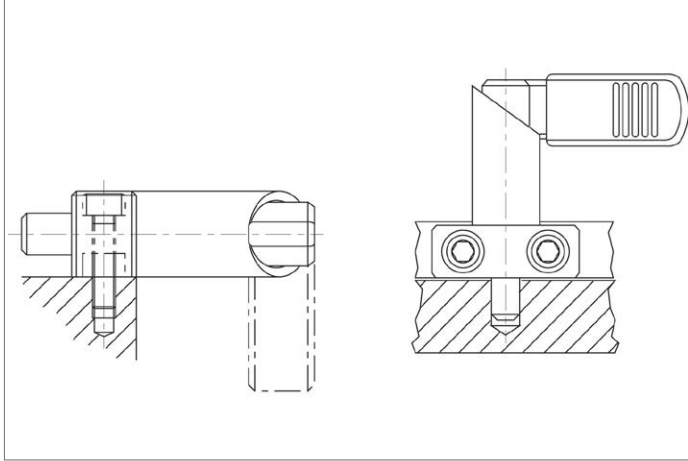
Temperature resistance of type with plastic

grip is -30°C to +80°C.

### Tips

Spring loads \* = statistical average.

Order No.	Type	d <sub>1</sub> 0 -0.05	l <sub>2</sub>	d <sub>2</sub>	d <sub>3</sub>	h	k	l <sub>1</sub>	l <sub>3</sub>	l <sub>4</sub>	s	Spring load F <sub>1</sub> N ≈	Spring load F <sub>2</sub> N ≈	Weight g
<b>32520.W0376</b>	Without Grip	6	10	16	35	16	20	56	32	-	12	12	32	82
<b>32520.W0378</b>	Without Grip	8	10	16	35	16	20	56	32	-	12	12	32	85
<b>32520.W0379</b>	Without Grip	8	12	20	40	20	22	69	37	-	15	21	58	163
<b>32520.W0381</b>	Without Grip	10	10	16	35	16	20	56	32	-	12	12	32	85
<b>32520.W0382</b>	Without Grip	10	12	20	40	20	22	69	37	-	15	21	58	167
<b>32520.W0384</b>	Without Grip	12	12	20	40	20	22	69	37	-	15	21	58	168
<b>32520.W0386</b>	With Grip	6	10	16	35	16	20	56	-	42	12	12	32	83
<b>32520.W0388</b>	With Grip	8	10	16	35	16	20	56	-	42	12	12	32	85
<b>32520.W0389</b>	With Grip	8	12	20	40	20	22	69	-	52	15	21	58	169
<b>32520.W0391</b>	With Grip	10	10	16	35	16	20	56	-	42	12	12	32	86
<b>32520.W0392</b>	With Grip	10	12	20	40	20	22	69	-	52	15	21	58	171
<b>32520.W0394</b>	With Grip	12	12	20	40	20	22	69	-	52	15	21	58	171





## A Wide Selection of Solutions

- Locating and positioning.
- Indexing.
- Securing.
- Positive locking.
- Rapid adjustment of all kinds of tables, platforms and fixtures.
- Machine and fixture design.
- OEM products.
- Sports equipment.
- Medical aides (wheelchairs etc.).
- Aerospace.
- Machine cabinets.

## Applications

## Materials

## Locking or Non Locking

## Handling and Actuation Methods

## Mounting Options

## Additional Technical Notes

## Spring Loads



Steel with plastic grip



Stainless with plastic grip



Stainless body and grip



Locking (park)



Non locking (spring back)



Push pull



Standard grip



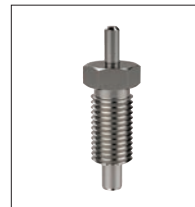
Lever grip



T-handle



Pull ring



Threaded for bespoke handle



Fine threaded (standard)



Coarse thread



Flange mount



Thin wall mount



Weldable

- Unless otherwise stated, grips on index plungers are not removable.
- Many of the pins on index plungers are toleranced to either the pin or the hole. Please refer to the specific product table.
- Index plungers are not recommended for shear load applications.

	Pin Tol.	Hole Tol.
①	$h_9$	+0,03 +0,08
②	-0,02 -0,04	$H_7$

**s** Stroke, or movement of plunger's pin.

**f<sub>1</sub>** The force required in Newtons (N) to overcome the static strength of the spring and achieve initial movement of the plunger's pin.

**f<sub>2</sub>** The force required in Newtons (N) to fully compress the spring until the pin is fully depressed against the plunger's body.

