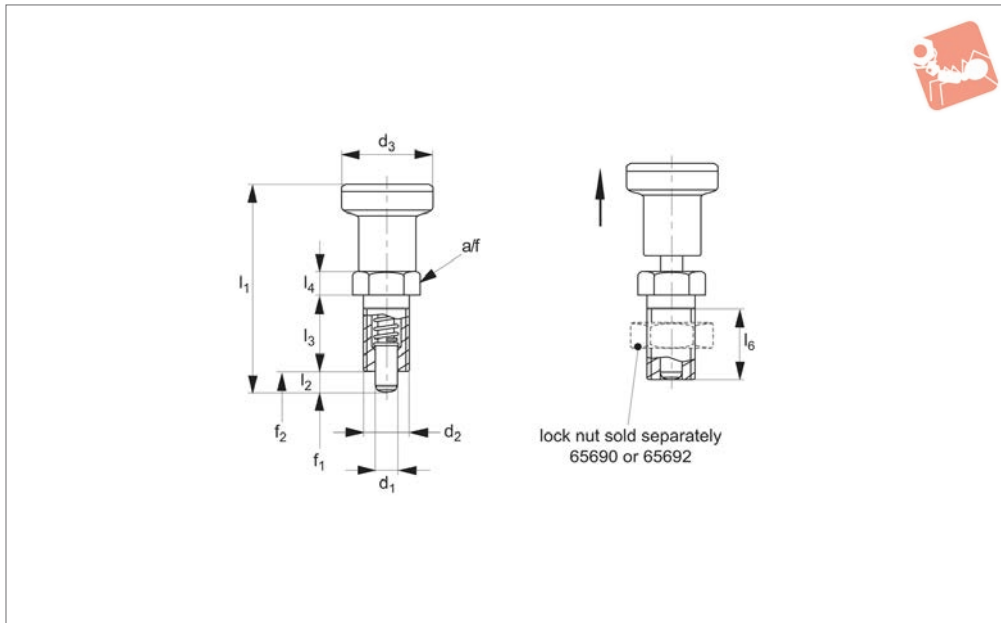




Index Plungers - Pull Grip

non-locking - ALL stainless

Index Plunger & Pins



32702

INDEX PLUNGER & PINS

Material

All Stainless Steel Type-

Body: stainless steel 1.4305 (AISI 303).
 Pin: stainless steel 1.4305 (AISI 303),
 nickel plated.
 Grip: stainless steel 1.4305 (AISI 303).
 Spring: stainless steel 1.4310 (AISI 301).

Technical Notes

„Non Locking“ type- pin simply springs

back when pull ring released.
 Thread recess on body allows full engagement of thread length. Hexagon collar improves leverage for secure installation. Temperature resistance from -30° to +80°C.
 Distance collars no. 32750 can be used to adapt screw length.

Lock nuts sold separately. See Products 65690 and 65692

Tips

Complete stainless steel construction designed with specific demands of food processing, pharmaceutical and water treatment industries in mind. Grip non-removable. Spring Loads* = statistical average.

Order No.	Type	d_1 -0.02 -0.04	d_2	d_3	l_1 ≈	l_2 min.	l_3	l_4	l_6 min.	A/F	Spring load F_1 N ≈	Spring load F_2 N ≈	Weight g
32702.W0705	Non locking	5	M10x1,0	21	45.0	5	17	5	15	12	6.0	14	39.0
32702.W0706	Non locking	6	M12x1,5	25	54.5	6	20	6	17	14	5.5	13	65.0
32702.W0707	Non locking	8	M16x1,5	31	69.0	8	26	8	23	19	11.5	28	132.0
32702.W0710	Non locking	10	M20x1,5	31	80.0	10	33	10	30	22	23.0	54	175.0



A Wide Selection of Solutions

Applications

- Locating and positioning.
- Indexing.
- Securing.
- Positive locking.
- Rapid adjustment of all kinds of tables, platforms and fixtures.
- Machine and fixture design.
- OEM products.
- Sports equipment.
- Medical aides (wheelchairs etc.).
- Aerospace.
- Machine cabinets.

Materials



Steel with plastic grip



Stainless with plastic grip



Stainless body and grip

Locking or Non Locking



Locking (park)



Non locking (spring back)



Push pull

Handling and Actuation Methods



Standard grip



Lever grip



T-handle



Pull ring



Threaded for bespoke handle

Mounting Options



Fine threaded (standard)



Coarse thread



Flange mount



Thin wall mount



Weldable

Additional Technical Notes

- Unless otherwise stated, grips on index plungers are not removable.
- Many of the pins on index plungers are toleranced to either the pin or the hole. Please refer to the specific product table.
- Index plungers are not recommended for shear load applications.

	Pin Tol.	Hole Tol.
①	h_9	+0,03 +0,08
②	-0,02 -0,04	H_7

Spring Loads

- s** Stroke, or movement of plunger's pin.
- f₁** The force required in Newtons (N) to overcome the static strength of the spring and achieve initial movement of the plunger's pin.
- f₂** The force required in Newtons (N) to fully compress the spring until the pin is fully depressed against the plunger's body.

