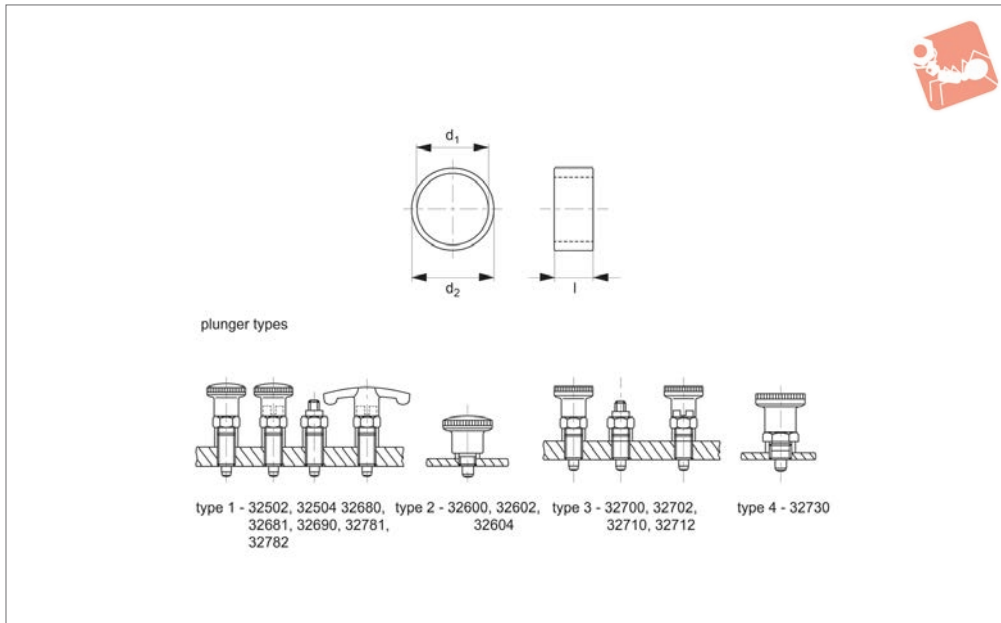




Distance Collars for index plungers

Index Plunger & Pins



32750

INDEX PLUNGER & PINS

Material

Stainless steel 1.4305 (AISI 303).

index plungers to enable different thread reaches. Order while stocks last.

Technical Notes

Distance collars adapt the thread length of

Order No.	d ₁ tol. H12	d ₂ -0.1	For index plungers size d ₁	Suitable for plunger type	l ₁ ±0.1	Weight g
32750.W0933	8	10	M 8	1	3	0.8
32750.W0934	8	10	M 8	1	4	0.9
32750.W0936	8	10	M 8	1	6	1.2
32750.W0938	8	10	M 8	1	8	1.6
32750.W0940	8	10	M 8	1	10	2.0
32750.W0942	10	12	M10	1/2/3	2	0.6
32750.W0944	10	12	M10	1/2/3	4	1.1
32750.W0946	10	12	M10	1/3	6	1.6
32750.W0948	10	12	M10	1/3	8	2.1
32750.W0950	10	12	M10	1/3	10	2.7
32750.W0952	10	12	M10	1/3	12	3.0
32750.W0962	12	14	M12	1	2	0.6
32750.W0964	12	14	M12	1	4	2.5
32750.W0966	12	14	M12	1	6	1.9
32750.W0968	12	14	M12	1	8	2.4
32750.W0972	12	17	M12	3/4	2	2.0
32750.W0974	12	17	M12	3/4	4	3.4
32750.W0975	12	17	M12	3/4	5	4.4
32750.W0976	16	17	M16	1	4	0.7
32750.W0977	16	17	M16	1	6	1.2
32750.W0978	16	17	M16	1	8	1.4
32750.W0979	16	17	M16	1	10	2.0
32750.W0980	16	17	M16	1	12	2.1
32750.W0982	16	19	M16	3/4	2	1.3
32750.W0984	16	19	M16	3/4	4	2.8
32750.W0986	16	19	M16	3/4	6	3.8
32750.W0988	16	19	M16	3/4	8	4.8
32750.W0990	16	19	M16	3	10	6.1
32750.W0992	16	19	M16	3	12	9.2
32750.W0993	20	22	M20	1/3	6	3.0
32750.W0994	20	22	M20	1/3	8	4.0
32750.W0995	20	22	M20	1/3	10	4.9
32750.W0996	20	22	M20	1/3	12	5.9
32750.W0997	20	22	M20	1/3	14	6.9



Order No.	d_1 tol. H12	d_2 -0.1	For index plungers size d_1	Suitable for plunger type	l_1 ± 0.1	Weight g
32750.W0998	20	22	M20	1/3	16	9.3
32750.W0999	20	22	M20	1/3	18	9.0

INDEX PLUNGER & PINS





A Wide Selection of Solutions

- Locating and positioning.
- Indexing.
- Securing.
- Positive locking.
- Rapid adjustment of all kinds of tables, platforms and fixtures.
- Machine and fixture design.
- OEM products.
- Sports equipment.
- Medical aides (wheelchairs etc.).
- Aerospace.
- Machine cabinets.

Applications

Materials

Locking or Non Locking

Handling and Actuation Methods

Mounting Options

Additional Technical Notes

Spring Loads



Steel with plastic grip



Stainless with plastic grip



Stainless body and grip



Locking (park)



Non locking (spring back)



Push pull



Standard grip



Lever grip



T-handle



Pull ring



Threaded for bespoke handle



Fine threaded (standard)



Coarse thread



Flange mount



Thin wall mount



Weldable

- Unless otherwise stated, grips on index plungers are not removable.
- Many of the pins on index plungers are toleranced to either the pin or the hole. Please refer to the specific product table.
- Index plungers are not recommended for shear load applications.

	Pin Tol.	Hole Tol.
①	h_9	+0,03 +0,08
②	-0,02 -0,04	H_7

s Stroke, or movement of plunger's pin.

f₁ The force required in Newtons (N) to overcome the static strength of the spring and achieve initial movement of the plunger's pin.

f₂ The force required in Newtons (N) to fully compress the spring until the pin is fully depressed against the plunger's body.

