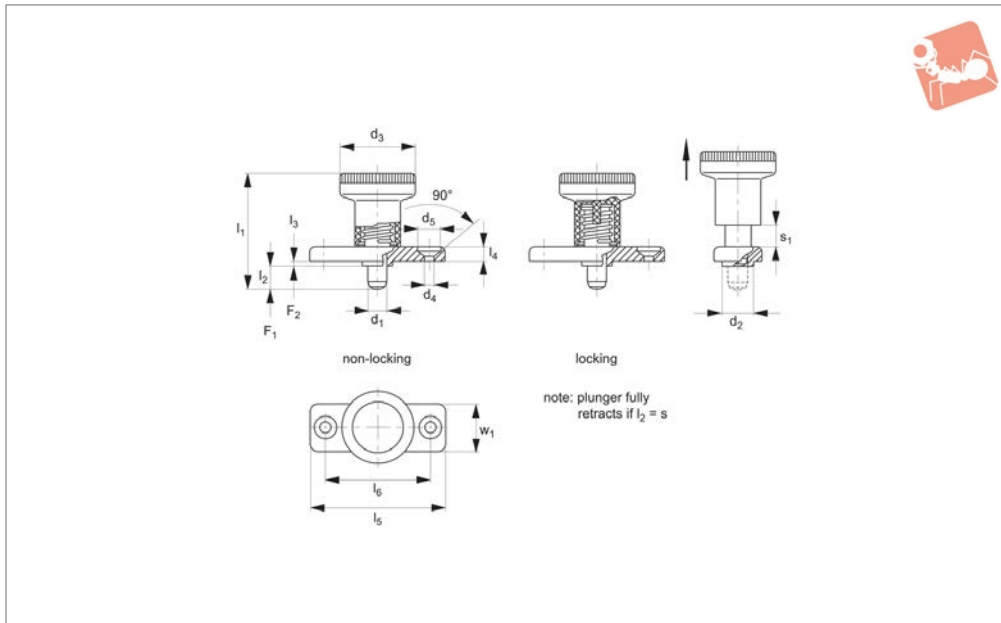




Index Plunger - Pull Grip flange mounting

Index Plunger & Pins



32760

INDEX PLUNGER & PINS

Material

Free Cutting Steel Type-

Body: die cast zinc, galvanised.

Pin: steel, hardened.

Grip: thermoplastic PA6, black

Stainless Steel Type-

Body: die-cast zinc, galvanised.

Pin: stainless steel, 1.4305 (AISI 303), nickel plated.

Grip: thermoplastic PA6, black

Technical Notes

„Locking” type- enable pin to be held in retracted position; pull back grip, turn 90° to engage ‚locking’ on a notched catch.

„Non Locking” type- pin simply springs back when grip released.

Integral mounting flange simplifies installation on flat surfaces.

Pin does not fully retract in all cases - note dimension ‚s’ the stroke of the pin,

i.e. the amount by which the pin retracts when actuated.

Temperature resistance -30°C to +80°C

Tips

Grip non-removable.

Spring loads * = statistical average.

Order No.	Type	Material	d ₁ -0.02 - 0.04	d ₂ -0.02 - 0.1	d ₃	d ₄	d ₅	l ₁	l ₂	l ₃ -0.15	l ₄	l ₅	l ₆	w ₁	Spring load F ₁ N ≈	Spring load F ₂ N ≈	Stroke s ₁	Weight g
32760.W0926	Non Locking	Steel	6	10	25	4,3	8,3	37	6	2,5	4,5	40	30	18	8,5	22	6	26
32760.W0927	Non Locking	Steel	6	10	25	4,3	8,3	45	14	2,5	4,5	40	30	18	8,5	22	6	38
32760.W0928	Non Locking	Steel	8	12	31	5,3	10,4	44	8	2,5	5,5	46	34	20	15,5	28	8	59
32760.W0929	Non Locking	Steel	8	12	31	5,3	10,4	54	18	2,5	5,5	46	34	20	15,5	28	8	63
32760.W0936	Locking	Steel	6	10	25	4,3	8,3	37	6	2,5	4,5	40	30	18	8,5	22	6	36
32760.W0937	Locking	Steel	6	10	25	4,3	8,3	45	14	2,5	4,5	40	30	18	8,5	22	6	38
32760.W0938	Locking	Steel	8	12	31	5,3	10,4	44	8	2,5	5,5	46	34	20	15,5	28	8	60
32760.W0939	Locking	Steel	8	12	31	5,3	10,4	54	18	2,5	5,5	46	34	20	15,5	28	8	63
32760.W0966	Non Locking	Stainless	6	10	25	4,3	8,3	37	6	2,5	4,5	40	30	18	8,5	22	6	26
32760.W0967	Non Locking	Stainless	6	10	25	4,3	8,3	45	14	2,5	4,5	40	30	18	8,5	22	6	38
32760.W0968	Non Locking	Stainless	8	12	31	5,3	10,4	44	8	2,5	5,5	46	34	20	15,5	28	8	59
32760.W0969	Non Locking	Stainless	8	12	31	5,3	10,4	54	18	2,5	5,5	46	34	20	15,5	28	8	63
32760.W0976	Locking	Stainless	6	10	25	4,3	8,3	37	6	2,5	4,5	40	30	18	8,5	22	6	36
32760.W0977	Locking	Stainless	6	10	25	4,3	8,3	45	14	2,5	4,5	40	30	18	8,5	22	6	38
32760.W0978	Locking	Stainless	8	12	31	5,3	10,4	44	8	2,5	5,5	46	34	20	15,5	28	8	60
32760.W0979	Locking	Stainless	8	12	31	5,3	10,4	54	18	2,5	5,5	46	34	20	15,5	28	8	63





A Wide Selection of Solutions

- Locating and positioning.
- Indexing.
- Securing.
- Positive locking.
- Rapid adjustment of all kinds of tables, platforms and fixtures.
- Machine and fixture design.
- OEM products.
- Sports equipment.
- Medical aides (wheelchairs etc.).
- Aerospace.
- Machine cabinets.

Applications

Materials

Locking or Non Locking

Handling and Actuation Methods

Mounting Options

Additional Technical Notes

Spring Loads



Steel with plastic grip



Stainless with plastic grip



Stainless body and grip



Locking (park)



Non locking (spring back)



Push pull



Standard grip



Lever grip



T-handle



Pull ring



Threaded for bespoke handle



Fine threaded (standard)



Coarse thread



Flange mount



Thin wall mount



Weldable

- Unless otherwise stated, grips on index plungers are not removable.
- Many of the pins on index plungers are toleranced to either the pin or the hole. Please refer to the specific product table.
- Index plungers are not recommended for shear load applications.

	Pin Tol.	Hole Tol.
①	h_9	+0,03 +0,08
②	-0,02 -0,04	H_7

s Stroke, or movement of plunger's pin.

f₁ The force required in Newtons (N) to overcome the static strength of the spring and achieve initial movement of the plunger's pin.

f₂ The force required in Newtons (N) to fully compress the spring until the pin is fully depressed against the plunger's body.

