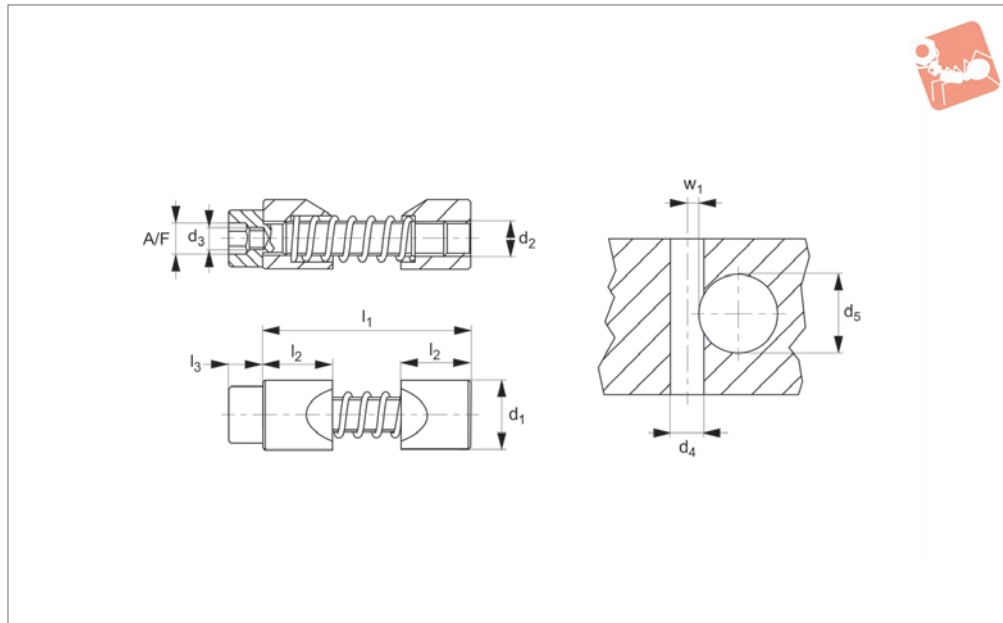




Steel Shaft Clamps for cylindrical parts

Shaft Clamping



32940.1

SHAFT CLAMPING

Material

Body: steel, heat-treated, blackened.
Clamping screw: steel, zincplated.
Spring: stainless.

RoHS compliant
REACH: contains no SVHC materials

Technical Notes

Installation:

- 1) machine bores
- 2) insert shaft clamp
- 3) expand jaws to appropriate dimension of the part to be clamped
- 4) position the shaft
- 5) clamp it using the working tool

The thread d_3 serves to hold the assembly tool (optional).

Tips

For clamping shafts, axles, columns, bolts, bars, pipes etc. (with diameters 6-125mm), quickly and easily.

Order No.	d_1 tol. h11	d_2	d_3	l_1 max.	l_2	l_3	Hub bore d_4 tol. H7	Location hole shaft d_5	w_1 +0.2	A/F	Tightening torque Nm max.	Fitting tool	32940 Weight g
32940.W0006	8	M 4	M 2,5	27	8	4	8	6-10	2,8	3	2,9	.W0806	8
32940.W0010	10	M 5	M 3	33	10	5	10	10-15	3,3	4	6,0	.W0810	12
32940.W0015	12	M 6	M 4	39	12	6	12	15-20	3,5	5	10,0	.W0815	21
32940.W0020	16	M 8	M 5	46	16	8	16	20-30	4,0	6	25,0	.W0820	52
32940.W0030	20	M10	M 6	53	20	10	20	30-40	4,8	8	46,0	.W0830	98
32940.W0040	25	M12	M 8	70	25	12	25	40-60	5,6	10	82,0	.W0840	183
32940.W0060	30	M16	M10	81	30	16	30	60-125	7,9	14	206,0	.W0860	344

