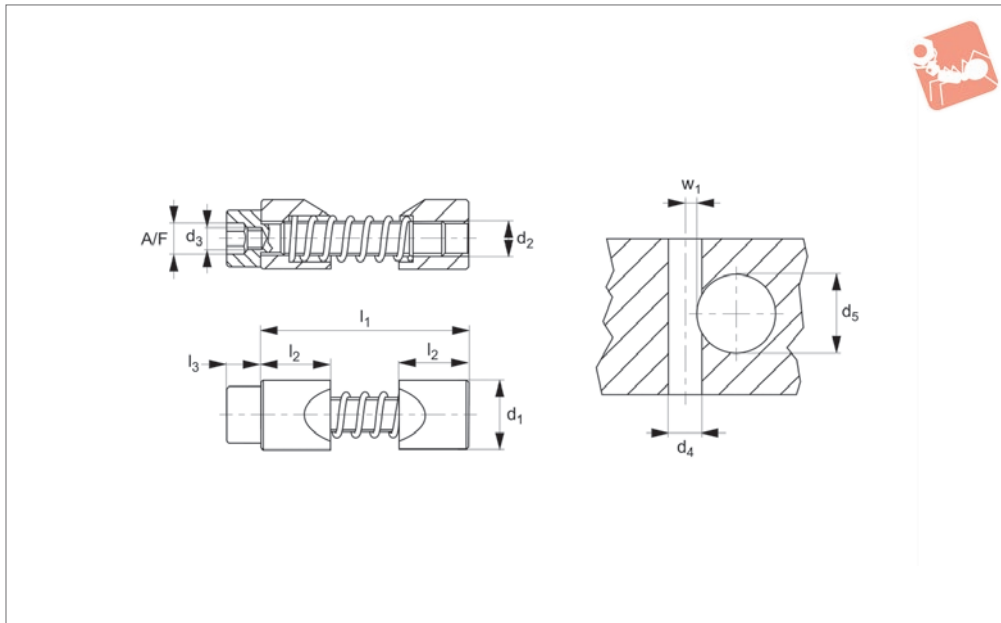




Stainless Shaft Clamps

for cylindrical parts

Shaft Clamping



32940.2

SHAFT CLAMPING

Material

Body: stainless 1.4305.
Clamping screw: stainless.
Spring: stainless.

RoHS compliant
REACH

Technical Notes

Installation:

- 1) machine bores
- 2) insert shaft clamp
- 3) expand jaws to appropriate dimension of the part to be clamped
- 4) position the shaft
- 5) clamp it using the working tool

The thread d_3 serves to hold the assembly tool (optional).

Tips

For clamping shafts, axles, columns, bolts, bars, pipes etc. (with diameters 6-125mm), quickly and easily.

Order No.	d_1 tol. h11	d_2	d_3	l_1 max.	l_2	Weight g
32940.W0106	8	M 4	M 2,5	27	8	7
32940.W0110	10	M 5	M 3	33	10	13
32940.W0115	12	M 6	M 4	39	12	22
32940.W0120	16	M 8	M 5	46	16	52
32940.W0130	20	M10	M 6	53	20	104
32940.W0140	25	M12	M 8	70	25	189
32940.W0160	30	M16	M10	81	30	346

Order No.	l_3	Hub bore d_4 tol. H7	Location hole shaft d_5	w_1 +0.2	A/F	Tightening torque Nm max.	Fitting tool 32940
32940.W0106	4	8	6-10	2.8	3	2.9	.W0806
32940.W0110	5	10	10-15	3.3	4	6	.W0810
32940.W0115	6	12	15-20	3.5	5	10	.W0815
32940.W0120	8	16	20-30	4.0	6	25	.W0820
32940.W0130	10	20	30-40	4.8	8	46	.W0830
32940.W0140	12	25	40-60	5.6	10	82	.W0840
32940.W0160	16	30	60-125	7.9	14	206	.W0860

