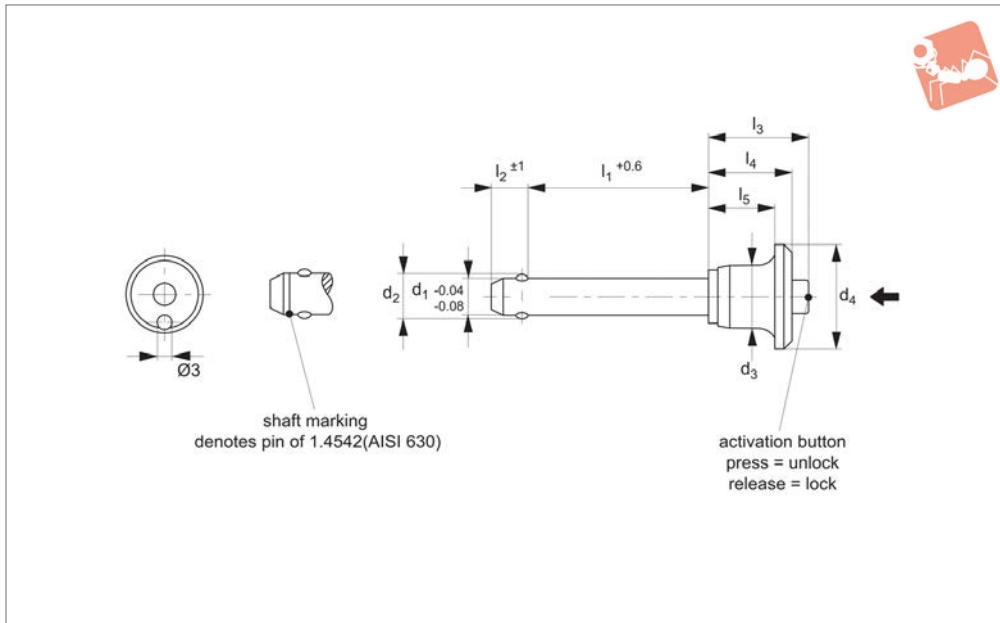




Ball Lock Pins - Mushroom Handle

single acting - self-locking - stainless 1.4542

Ball Lock Pins & Quick Release



33224.2

BALL LOCK PINS & QUICK RELEASE PINS

Material

Pin: Stainless steel 1.4542 (AISI 630), precipitation hardened, blast finish. Offering extreme load capacity. (Marked at end of shaft to denote 1.4542 material).
Ball: stainless steel 1.3541
Spring: stainless steel.
Handle: aluminium, black (RAL9003).

Technical Notes

Pressing = unlocking.
Releasing = locking.
Temperature resistance -30°C to +150°C
For quick fastening and locking of frequently repeated connections.

Tips

For lanyards & retaining cables see part no. 33250. Easy install locating bushes available see part no. 33248.

Important Notes

*Shearing resistance similar to DIN 50141.

Order No.	Stainless type	d ₁	d ₂	d ₃	d ₄	l ₁	l ₂	l ₃	l ₄	l ₅	Location hole	Shearing resistance, double kN	Weight g
33224.W0512	Stainless 1.4542	5	5.5	11.3	20	10	6.0	20.7	17.6	14.6	5	24	12
33224.W0513	Stainless 1.4542	5	5.5	11.3	20	15	6.0	20.7	17.6	14.6	5	24	12
33224.W0514	Stainless 1.4542	5	5.5	11.3	20	20	6.0	20.7	17.6	14.6	5	24	13
33224.W0515	Stainless 1.4542	5	5.5	11.3	20	25	6.0	20.7	17.6	14.6	5	24	14
33224.W0516	Stainless 1.4542	5	5.5	11.3	20	30	6.0	20.7	17.6	14.6	5	24	15
33224.W0522	Stainless 1.4542	6	7.0	11.3	20	10	7.0	20.7	17.6	14.6	6	35	13
33224.W0523	Stainless 1.4542	6	7.0	11.3	20	15	7.0	20.7	17.6	14.6	6	35	14
33224.W0524	Stainless 1.4542	6	7.0	11.3	20	20	7.0	20.7	17.6	14.6	6	35	15
33224.W0525	Stainless 1.4542	6	7.0	11.3	20	25	7.0	20.7	17.6	14.6	6	35	16
33224.W0526	Stainless 1.4542	6	7.0	11.3	20	30	7.0	20.7	17.6	14.6	6	35	17
33224.W0527	Stainless 1.4542	6	7.0	11.3	20	35	7.0	20.7	17.6	14.6	6	35	18
33224.W0528	Stainless 1.4542	6	7.0	11.3	20	40	7.0	20.7	17.6	14.6	6	35	19
33224.W0529	Stainless 1.4542	6	7.0	11.3	20	45	7.0	20.7	17.6	14.6	6	35	20
33224.W0530	Stainless 1.4542	6	7.0	11.3	20	50	7.0	20.7	17.6	14.6	6	35	21
33224.W0531	Stainless 1.4542	8	9.5	14.1	25	60	8.2	27.3	22.6	18.6	8	63	44
33224.W0534	Stainless 1.4542	8	9.5	14.1	25	20	8.2	27.3	22.6	18.6	8	63	28
33224.W0535	Stainless 1.4542	8	9.5	14.1	25	25	8.2	27.3	22.6	18.6	8	63	30
33224.W0536	Stainless 1.4542	8	9.5	14.1	25	30	8.2	27.3	22.6	18.6	8	63	32
33224.W0537	Stainless 1.4542	8	9.5	14.1	25	35	8.2	27.3	22.6	18.6	8	63	34
33224.W0538	Stainless 1.4542	8	9.5	14.1	25	40	8.2	27.3	22.6	18.6	8	63	36
33224.W0539	Stainless 1.4542	8	9.5	14.1	25	45	8.2	27.3	22.6	18.6	8	63	38
33224.W0540	Stainless 1.4542	8	9.5	14.1	25	50	8.2	27.3	22.6	18.6	8	63	40
33224.W0544	Stainless 1.4542	10	12.0	14.1	25	20	9.6	27.3	22.6	18.6	10	100	35
33224.W0545	Stainless 1.4542	10	12.0	14.1	25	25	9.6	27.3	22.6	18.6	10	100	38
33224.W0546	Stainless 1.4542	10	12.0	14.1	25	30	9.6	27.3	22.6	18.6	10	100	40
33224.W0547	Stainless 1.4542	10	12.0	14.1	25	35	9.6	27.3	22.6	18.6	10	100	44
33224.W0548	Stainless 1.4542	10	12.0	14.1	25	40	9.6	27.3	22.6	18.6	10	100	47
33224.W0549	Stainless 1.4542	10	12.0	14.1	25	45	9.6	27.3	22.6	18.6	10	100	50
33224.W0550	Stainless 1.4542	10	12.0	14.1	25	50	9.6	27.3	22.6	18.6	10	100	53



Order No.	Stainless type	d ₁	d ₂	d ₃	d ₄	l ₁	l ₂	l ₃	l ₄	l ₅	Location hole	Shearing resistance, double kN	Weight g
33224.W0552	Stainless 1.4542	10	12.0	14.1	25	60	9.6	27.3	22.6	18.6	10	100	59
33224.W0565	Stainless 1.4542	12	14.5	17.7	35	25	10.6	33.2	27.3	22.3	12	144	69
33224.W0566	Stainless 1.4542	12	14.5	17.7	35	30	10.6	33.2	27.3	22.3	12	144	73
33224.W0567	Stainless 1.4542	12	14.5	17.7	35	35	10.6	33.2	27.3	22.3	12	144	78
33224.W0568	Stainless 1.4542	12	14.5	17.7	35	40	10.6	33.2	27.3	22.3	12	144	82
33224.W0569	Stainless 1.4542	12	14.5	17.7	35	45	10.6	33.2	27.3	22.3	12	144	86
33224.W0570	Stainless 1.4542	12	14.5	17.7	35	50	10.6	33.2	27.3	22.3	12	144	90
33224.W0572	Stainless 1.4542	12	14.5	17.7	35	60	10.6	33.2	27.3	22.3	12	144	99
33224.W0574	Stainless 1.4542	12	14.5	17.7	35	70	10.6	33.2	27.3	22.3	12	144	108
33224.W0576	Stainless 1.4542	12	14.5	17.7	35	80	10.6	33.2	27.3	22.3	12	144	116
33224.W0590	Stainless 1.4542	20	24.8	23.4	40	60	17.0	43.1	34.5	28.5	20	403	261





Wixroyd Ball Lock Pins

applications

33060 - 33250
Positioning Elements

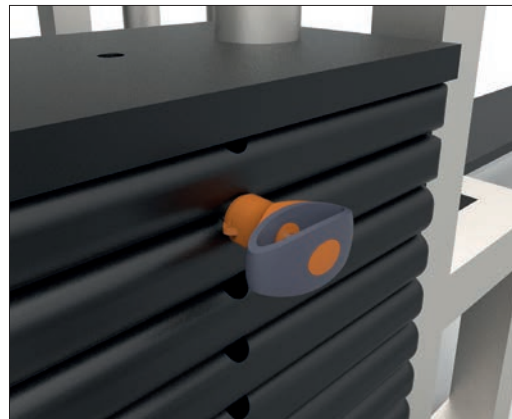
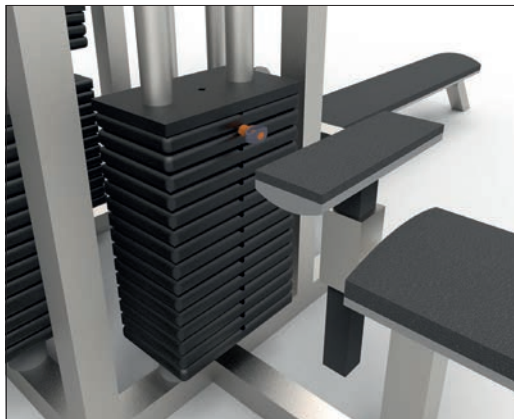


Sound Rigging Systems

Ball lock pins on a sound rigging system. Offering secure fixing with high shear forces and easy fitting for operators at heights.

In addition full black powder coating of grip and actuation button eliminates glare from other stage lighting.

BALL LOCK PINS & QUICK RELEASE PINS



Gym Equipment



Scientific and Medical

ov-W33060.BK-A-TOR1706-W33250-A-TLA1066-a-rmh - Updated - 27-10-2022



Pin Material

1.4305 (AISI 303) - shear force approx. 60% of higher material version 1.4542

1.4542 (AISI 630) - identified by the ridge on the pin

CRES 17-4PH (AMS 5643) aviation standard



Handle Style



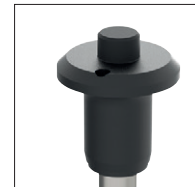
Plastic tri-star



T-handled, metal



L-handled, metal



Mushroom, metal



Single piece metal, contoured



Special plastic self-spring



Adjustable grip length, plastic



Key ring



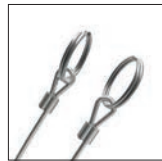
Safety, metal



Mushroom Type B aviation

Type R aviation

Lanyards and Locating Bushes



Stainless wire - (coated) - 2 x key ring



Stainless wire - Key ring and fixing loop



Plastic - 2 x cable tie



Steel wire - (coated) - 2 x key ring



Stainless bead chain - 2 x key ring

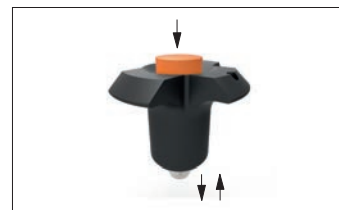


Locating bushes

Actuation



Press = unlock
Release = lock (standard)



Press = unlock and position
Release = lock and simultaneous clamp



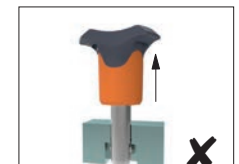
Simple spring loaded balls "pullout pin"

Important Note

Important Note: Ball lock pins are not suited to lifting applications!
For quick release lifting pins, see part 33400.



Shear force



Lifting force

Special Variations

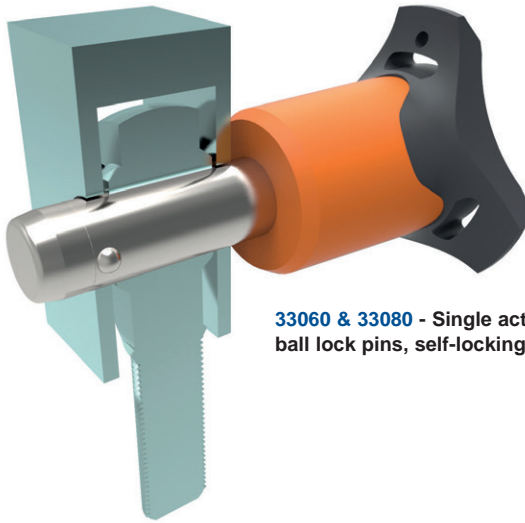


Variations on our standard designs are possible, please contact our sales team for technical assistance. Quick production on specials can be as little as 3 weeks.



Applications

- Positioning.
- Lifting.
- Locking.
- Indexing.
- Joining.



33060 & 33080 - Single acting ball lock pins, self-locking.



33194 - Single acting ball lock pins, self locking, simple finish.



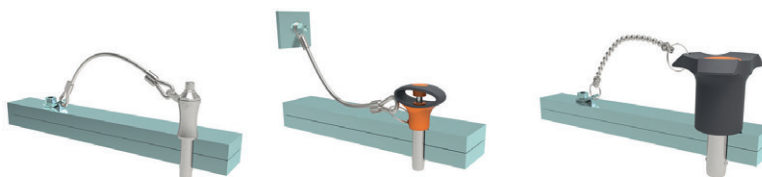
33140 - Socket pins, non-locking, spring loaded balls.



33100 - Single acting ball lock pin, self locking.



33180 - Clamping pins, with span compensation, self-locking.



33250 & 33270 - Lanyards.



33220 - Ball lock pins, single acting - L-handle