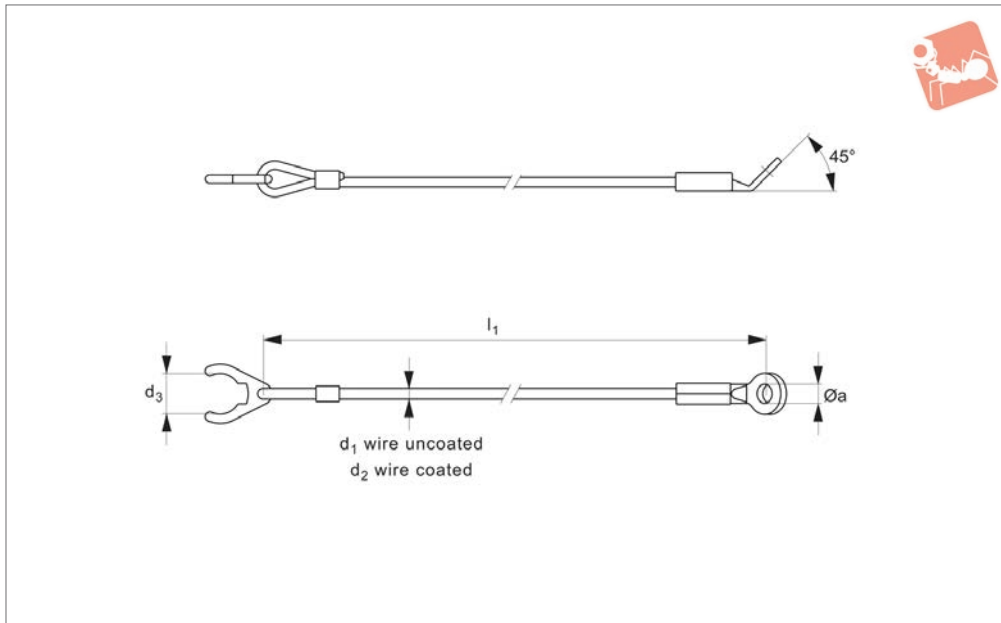




# Lanyard - Circlip End to Eyelet stainless steel

# Ball Lock Pins & Quick Release



## 33265

BALL LOCK PINS & QUICK RELEASE PINS

### Material

Wire rope: stainless steel.  
Coating (if present): PVC, see table.  
Eyelet, circlip end and split ring: stainless steel.

### Technical Notes

Designed specifically to hold ball lock pin 33194.

### Important Notes

Assemble by attaching holding clips to the ball lock pin with a soft-face mallet, disassemble via levering off with a screw driver.

Order No.	Coating	d <sub>1</sub> wire uncoated	l <sub>1</sub>	Ø a	d <sub>2</sub> wire coated	d <sub>5</sub> for use with part no. 33914 of pin dia d <sub>1</sub>	Weight g
33265.W1001	Clear	1.5	150	4.8	2.0	5/ 6	6.0
33265.W1021	Clear	1.5	200	4.8	2.0	5/ 6	7.0
33265.W1041	Clear	1.5	300	4.8	2.0	5/ 6	8.0
33265.W1061	Clear	1.5	150	2.0	4.8	8/10	7.0
33265.W1002	Clear	1.5	200	4.8	2.0	8/10	8.0
33265.W1022	Clear	1.5	200	4.8	2.0	8/10	9.0
33265.W1042	Clear	1.5	150	4.8	2.0	12/16	8.0
33265.W1062	Clear	1.5	200	4.8	2.0	12/16	9.0
33265.W1003	Clear	1.5	300	4.8	2.0	12/16	10.0
33265.W1023	Clear	1.5	150	4.8	2.0	20/25	12.0
33265.W1043	Clear	1.5	200	4.8	2.0	20/25	13.0
33265.W1063	Clear	1.5	300	4.8	2.0	20/25	14.0
33265.W1101	Black	1.5	150	4.8	2.0	5/ 6	6.0
33265.W1121	Black	1.5	200	4.8	2.0	5/ 6	7.0
33265.W1141	Black	1.5	300	4.8	2.0	5/ 6	8.0
33265.W1161	Black	1.5	150	4.8	2.0	8/10	7.0
33265.W1102	Black	1.5	200	4.8	2.0	8/10	8.0
33265.W1122	Black	1.5	300	4.8	2.0	8/10	9.0
33265.W1142	Black	1.5	150	4.8	2.0	12/16	8.0
33265.W1162	Black	1.5	200	4.8	2.0	12/16	9.0
33265.W1103	Black	1.5	300	4.8	2.0	12/16	10.0
33265.W1123	Black	1.5	150	4.8	2.0	20/25	12.0
33265.W1143	Black	1.5	200	4.8	2.0	20/25	13.0
33265.W1163	Black	1.5	300	4.8	2.0	20/25	14.0
33265.W1201	Uncoated	1.5	150	4.8	-	5/ 6	6.0
33265.W1221	Uncoated	1.5	200	4.8	-	5/ 6	7.0
33265.W1241	Uncoated	1.5	300	4.8	-	5/ 6	8.0
33265.W1261	Uncoated	1.5	150	4.8	-	8/10	7.0
33265.W1202	Uncoated	1.5	200	4.8	-	8/10	8.0
33265.W1222	Uncoated	1.5	300	4.8	-	8/10	9.0
33265.W1242	Uncoated	1.5	150	4.8	-	12/16	8.0
33265.W1262	Uncoated	1.5	200	4.8	-	12/16	9.0
33265.W1203	Uncoated	1.5	300	4.8	-	12/16	10.0

# Ball Lock Pins & Quick Release



## Lanyard - Circlip End to Eyelet stainless steel



Order No.	Coating	d <sub>1</sub> wire uncoated	l <sub>1</sub>	Ø a	d <sub>2</sub> wire coated	d <sub>5</sub> for use with part no. 33914 of pin dia d <sub>1</sub>	Weight g
<b>33265.W1223</b>	Uncoated	1.5	150	4.8	-	20/25	12.0
<b>33265.W1243</b>	Uncoated	1.5	200	4.8	-	20/25	13.0
<b>33265.W1263</b>	Uncoated	1.5	300	4.8	-	20/25	14.0

BALL LOCK PINS & QUICK RELEASE PINS



# Wixroyd Ball Lock Pins

applications

33060 - 33250  
Positioning Elements

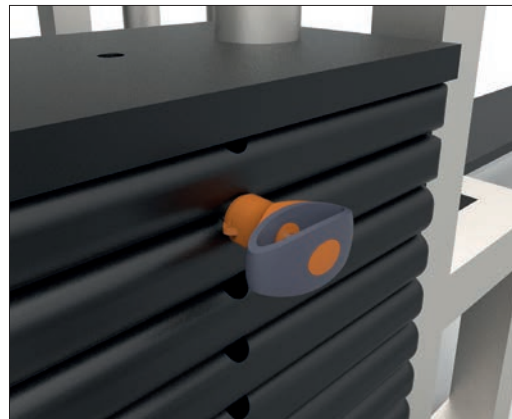
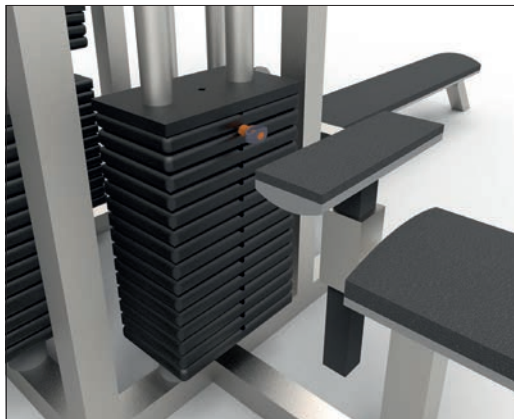


## Sound Rigging Systems

Ball lock pins on a sound rigging system. Offering secure fixing with high shear forces and easy fitting for operators at heights.

In addition full black powder coating of grip and actuation button eliminates glare from other stage lighting.

BALL LOCK PINS & QUICK RELEASE PINS



## Gym Equipment



## Scientific and Medical

ov-W33060.BK-A-TOR1706-W33250-A-TLA1066-a-rmh - Updated - 27-10-2022



## Pin Material

1.4305 (AISI 303) - shear force approx. 60% of higher material version 1.4542

1.4542 (AISI 630) - identified by the ridge on the pin

CRES 17-4PH (AMS 5643) aviation standard



## Handle Style



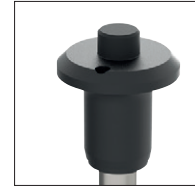
Plastic tri-star



T-handled, metal



L-handled, metal



Mushroom, metal



Single piece metal, contoured



Special plastic self-spring



Adjustable grip length, plastic



Key ring



Safety, metal



Mushroom Type B aviation



Type R aviation

## Lanyards and Locating Bushes



Stainless wire - (coated) - 2 x key ring



Stainless wire - Key ring and fixing loop



Plastic - 2 x cable tie



Steel wire - (coated) - 2 x key ring



Stainless bead chain - 2 x key ring



Locating bushes

## Actuation



Press = unlock  
Release = lock (standard)



Press = unlock and position  
Release = lock and simultaneous clamp



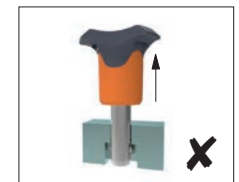
Simple spring loaded balls "pullout pin"

## Important Note

**Important Note: Ball lock pins are not suited to lifting applications!**  
For quick release lifting pins, see part 33400.



Shear force



Lifting force

## Special Variations

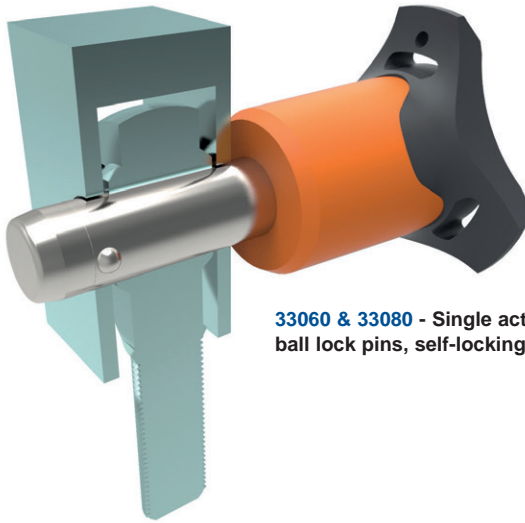


Variations on our standard designs are possible, please contact our sales team for technical assistance. Quick production on specials can be as little as 3 weeks.



### Applications

- Positioning.
- Lifting.
- Locking.
- Indexing.
- Joining.



**33060 & 33080** - Single acting ball lock pins, self-locking.



**33194** - Single acting ball lock pins, self locking, simple finish.



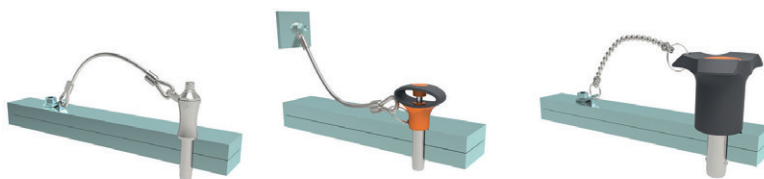
**33140** - Socket pins, non-locking, spring loaded balls.



**33100** - Single acting ball lock pin, self locking.



**33180** - Clamping pins, with span compensation, self-locking.



**33250 & 33270** - Lanyards.



**33220** - Ball lock pins, single acting - L-handle