

33400

QUICK LIFT PINS

Material

Pin, Body & Shackle: heat treated steel, tempered, manganese phosphated.

Actuation Button: aluminium, red anodised.

Spring: stainless steel.

Technical Notes

Pressing = unlocking.

Releasing = locking.

Lifts forces up to 4.8kN (with a 5 fold in-built safety factor).

Temperature range up to +250°C.

Easy installation with plain drilled hole to H11 tolerance.

Tips

The design of the safety shackle prevents accidental locking/unlocking. Safety shackle is adjustable and can be used to lift components at 90°, 45° or 180°.

Important Notes

* are values calculated on a 5-fold safety

against breakage.

When machining receiving hole in aluminium we recommend use of hardened bush or collar in receiving hole, see our part no. 33440.

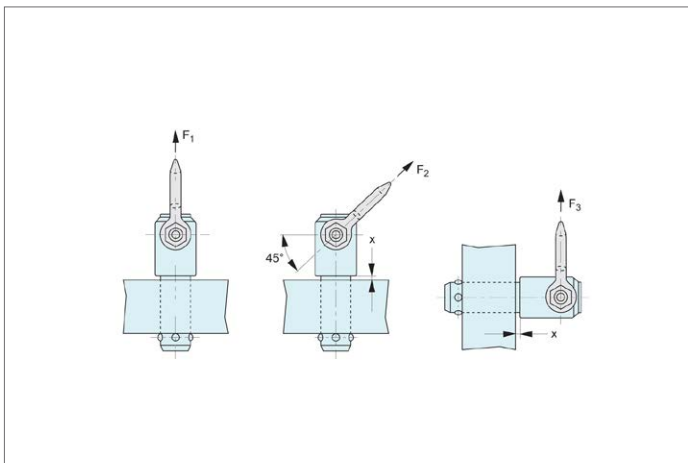
Supplied with TUV test certificate of manufacturing process. Parts not individually tested.

| Order No. | l_1 | d_1 -0.04 -0.08 | d_2 | d_3 | d_4 min. | l_2 | l_3 | l_4 | l_5 | Weight g |
|-------------|-------|----------------------|-------|-------|---------------|-------|-------|-------|-------|-------------|
| 33400.W0601 | 10 | 8.0 | 9.35 | 21.5 | 9.85 | 8.75 | 25.7 | 36.0 | 27.0 | 218 |
| 33400.W0602 | 15 | 8.0 | 9.35 | 21.5 | 9.85 | 8.75 | 25.7 | 36.0 | 27.0 | 220 |
| 33400.W0604 | 25 | 8.0 | 9.35 | 21.5 | 9.85 | 8.75 | 25.7 | 36.0 | 27.0 | 223 |
| 33400.W0606 | 35 | 8.0 | 9.35 | 21.5 | 9.85 | 8.75 | 25.7 | 36.0 | 27.0 | 226 |
| 33400.W0611 | 10 | 8.3 | 9.65 | 21.5 | 10.05 | 8.75 | 25.7 | 36.0 | 27.0 | 218 |
| 33400.W0612 | 15 | 8.3 | 9.65 | 21.5 | 10.05 | 8.75 | 25.7 | 36.0 | 27.0 | 219 |
| 33400.W0614 | 25 | 8.3 | 9.65 | 21.5 | 10.05 | 8.75 | 25.7 | 36.0 | 27.0 | 223 |
| 33400.W0616 | 35 | 8.3 | 9.65 | 21.5 | 10.05 | 8.75 | 25.7 | 36.0 | 27.0 | 228 |
| 33400.W0621 | 15 | 10.0 | 11.70 | 21.5 | 12.20 | 10.20 | 25.7 | 36.0 | 27.0 | 226 |
| 33400.W0623 | 25 | 10.0 | 11.70 | 21.5 | 12.20 | 10.20 | 25.7 | 36.0 | 27.0 | 238 |
| 33400.W0625 | 35 | 10.0 | 11.70 | 21.5 | 12.20 | 10.20 | 25.7 | 36.0 | 27.0 | 244 |
| 33400.W0627 | 50 | 10.0 | 11.70 | 21.5 | 12.20 | 10.20 | 25.7 | 36.0 | 27.0 | 252 |
| 33400.W0631 | 15 | 12.0 | 14.20 | 21.5 | 14.70 | 11.00 | 25.7 | 36.0 | 27.0 | 238 |
| 33400.W0633 | 25 | 12.0 | 14.20 | 21.5 | 14.70 | 11.00 | 25.7 | 36.0 | 27.0 | 243 |
| 33400.W0635 | 35 | 12.0 | 14.20 | 21.5 | 14.70 | 11.00 | 25.7 | 36.0 | 27.0 | 251 |
| 33400.W0637 | 50 | 12.0 | 14.20 | 21.5 | 14.70 | 11.00 | 25.7 | 36.0 | 27.0 | 268 |
| 33400.W0651 | 25 | 13.8 | 16.20 | 21.5 | 16.70 | 13.00 | 25.7 | 36.0 | 27.0 | 251 |
| 33400.W0653 | 50 | 13.8 | 16.20 | 21.5 | 16.70 | 13.00 | 25.7 | 36.0 | 27.0 | 279 |
| 33400.W0655 | 75 | 13.8 | 16.20 | 21.5 | 16.70 | 13.00 | 25.7 | 36.0 | 27.0 | 309 |
| 33400.W0641 | 25 | 16.0 | 18.60 | 25.0 | 19.20 | 15.10 | 31.0 | 44.5 | 27.0 | 312 |
| 33400.W0643 | 50 | 16.0 | 18.60 | 25.0 | 19.20 | 15.10 | 31.0 | 44.5 | 27.0 | 353 |
| 33400.W0645 | 75 | 16.0 | 18.60 | 25.0 | 19.20 | 15.10 | 31.0 | 44.5 | 27.0 | 388 |
| 33400.W0673 | 50 | 20.0 | 24.50 | 30.0 | 25.00 | 19.70 | 36.5 | 52.0 | 32.6 | 607 |
| 33400.W0675 | 75 | 20.0 | 24.50 | 30.0 | 25.00 | 19.70 | 36.5 | 52.0 | 32.6 | 666 |



QUICK LIFT PINS

| Order No. | l_6 | l_7 | l_8 | F_1 kN | F_2 kN | F_3 kN | x min. | x max. | Location hole tol. H11 |
|-------------|-------|-------|-------|-------------|-------------|-------------|-----------|-----------|---------------------------|
| 33400.W0601 | 30 | 49 | 87.5 | 1.5 | 1.2 | 0.5 | 1.5 | 5 | 8.0 |
| 33400.W0602 | 30 | 49 | 87.5 | 1.5 | 1.2 | 0.5 | 1.5 | 10 | 8.0 |
| 33400.W0604 | 30 | 49 | 87.5 | 1.5 | 1.2 | 0.5 | 1.5 | 15 | 8.0 |
| 33400.W0606 | 30 | 49 | 87.5 | 1.5 | 1.2 | 0.5 | 1.5 | 15 | 8.0 |
| 33400.W0611 | 30 | 49 | 87.5 | 1.5 | 1.2 | 0.5 | 1.5 | 5 | 8.3 |
| 33400.W0612 | 30 | 49 | 87.5 | 1.5 | 1.2 | 0.5 | 1.5 | 10 | 8.3 |
| 33400.W0614 | 30 | 49 | 87.5 | 1.5 | 1.2 | 0.5 | 1.5 | 15 | 8.3 |
| 33400.W0616 | 30 | 49 | 87.5 | 1.5 | 1.2 | 0.5 | 1.5 | 15 | 8.3 |
| 33400.W0621 | 30 | 49 | 87.5 | 2.7 | 2.4 | 2.1 | 1.5 | 10 | 10.0 |
| 33400.W0623 | 30 | 49 | 87.5 | 2.7 | 2.4 | 2.1 | 1.5 | 10 | 10.0 |
| 33400.W0625 | 30 | 49 | 87.5 | 2.7 | 2.4 | 2.1 | 1.5 | 10 | 10.0 |
| 33400.W0627 | 30 | 49 | 87.5 | 2.7 | 2.4 | 2.1 | 1.5 | 10 | 10.0 |
| 33400.W0631 | 30 | 49 | 87.5 | 3.5 | 3.2 | 2.8 | 1.5 | 10 | 12.0 |
| 33400.W0633 | 30 | 49 | 87.5 | 3.5 | 3.2 | 2.8 | 1.5 | 15 | 12.0 |
| 33400.W0635 | 30 | 49 | 87.5 | 3.5 | 3.2 | 2.8 | 1.5 | 15 | 12.0 |
| 33400.W0637 | 30 | 49 | 87.5 | 3.5 | 3.2 | 2.8 | 1.5 | 15 | 12.0 |
| 33400.W0651 | 30 | 49 | 87.5 | 3.8 | 3.5 | 2.8 | 1.5 | 15 | 13.8 |
| 33400.W0653 | 30 | 49 | 87.5 | 3.8 | 3.5 | 2.8 | 1.5 | 35 | 13.8 |
| 33400.W0655 | 30 | 49 | 87.5 | 3.8 | 3.5 | 2.8 | 1.5 | 35 | 13.8 |
| 33400.W0641 | 30 | 49 | 92.8 | 4.8 | 4.5 | 4.1 | 1.5 | 15 | 16.0 |
| 33400.W0643 | 30 | 49 | 92.8 | 4.8 | 4.5 | 4.1 | 1.5 | 35 | 16.0 |
| 33400.W0645 | 30 | 49 | 92.8 | 4.8 | 4.5 | 4.1 | 1.5 | 40 | 16.0 |
| 33400.W0673 | 36 | 56 | 114 | 10.0 | 8.5 | 6.5 | 1.5 | 25 | 20.0 |
| 33400.W0675 | 36 | 56 | 114 | 10.0 | 8.5 | 6.5 | 1.5 | 25 | 20.0 |





Danger!

Self-locking quick lift pins are designed to lift and hold point loads not people.

Self-locking quick lift pins are not suited for rotating loads.

Dirt and debris etc can affect the performance of the pins.

Using damaged self-locking pins can be very dangerous. Before each use carefully inspect the pins (damage, deformities, signs of stress, corrosion, check unlocking and locking function, loss of balls etc. Check full movement of shackle. Withdraw any defective pins from service immediately.

To release the balls, press button A. To lock the balls, release button A.

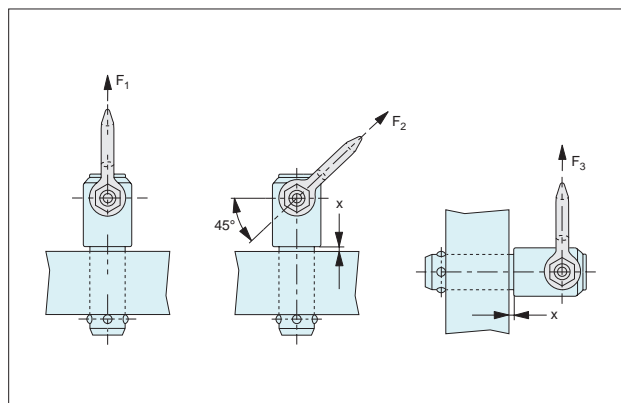
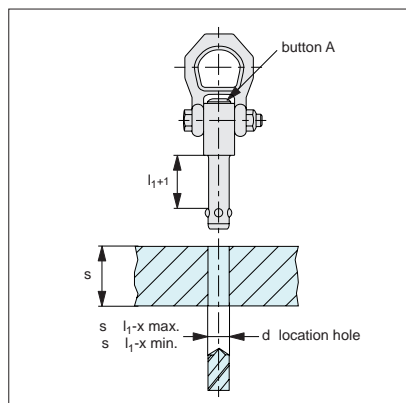
The load figures F_1 , F_2 and F_3 apply only to lifting applications used with a steel retainer, and an "x" min of 1.5mm.

Inspect before and after every use. For maintenance – take the out of service after 12 months for inspection by qualified personnel.

- Ensure all lifting pins are CE marked.
- Ensure they are handled by qualified personnel.
- Refer to the operating instructions particularly with regards to product selection, any possibility of the load swivelling, the effect of lifting angles on the load capacity (see relevant tables), etc.
- Never allow any personnel underneath a suspended load.
- Always heed the load rating of the lifting pin.
- Always perform a visual inspection of the lifting pins prior to use. Checking for any damage to thread and/or swivelling system. Check for wear or corrosion, signs of stress or bending.
- Ensure a yearly full service inspection is performed.
- Always ensure the full bottom face of the lifting pin shoulder is in contact with a smooth, square surface.
- Ensure full and unrestricted movement of the lifting pin in all directions.
- Before each lift ensure the correct orientation of the shackle in the lift direction.
- Avoid using our standard steel lifting pins in corrosive environments eg. sandy, chemical, acid, moisture etc. In this case consider using our stainless steel lifting pins (33420).

Operating Instructions 33400 and 33420

Note: The full shaft must be engaged. Longer shaft lengths can be supplied on request or a bolt and washer/nut combination can be used.



Notes

**Danger!**

Self-locking quick lift pins are designed to lift and hold point loads not people.

Self-locking quick lift pins are not suited for rotating loads.

Dirt and debris etc can affect the performance of the pins.

Using damaged self-locking pins can be very dangerous. Before each use carefully inspect the pins (damage, deformities, signs of stress, corrosion, check unlocking and locking function, loss of balls etc. Check full movement of shackle. Withdraw any defective pins from service immediately.

To release the balls, press button A. To lock the balls, release button A.

The load figures F_1 , F_2 and F_3 apply only to lifting applications used with a steel retainer, and an "x" min of 1.5mm.

Inspect before and after every use. For maintenance – take the out of service after 12 months for inspection by qualified personnel.

Operating Instructions 33400 and 33420

Note: The full shaft must be engaged. Longer shaft lengths can be supplied on request or a bolt and washer/nut combination can be used.

- Ensure all lifting pins are CE marked.
- Ensure they are handled by qualified personnel.
- Refer to the operating instructions particularly with regards to product selection, any possibility of the load swivelling, the effect of lifting angles on the load capacity (see relevant tables), etc.
- Never allow any personnel underneath a suspended load.
- Always heed the load rating of the lifting pin.
- Always perform a visual inspection of the lifting pins prior to use. Checking for any damage to thread and/or swivelling system. Check for wear or corrosion, signs of stress or bending.
- Ensure a yearly full service inspection is performed.
- Always ensure the full bottom face of the lifting pin shoulder is in contact with a smooth, square surface.
- Ensure full and unrestricted movement of the lifting pin in all directions.
- Before each lift ensure the correct orientation of the shackle in the lift direction.
- Avoid using our standard steel lifting pins in corrosive environments eg. sandy, chemical, acid, moisture etc. In this case consider using our stainless steel lifting pins (33420).

Notes