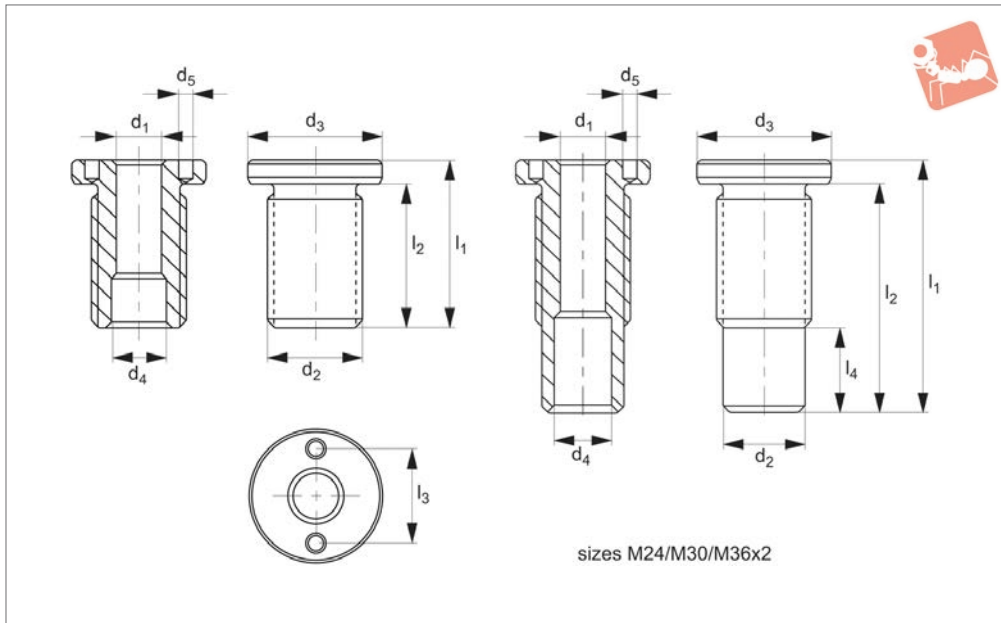




# Locating Bushes, Plain

for quick lift pins no.'s 33400 and 33420

# Quick Lift Pins



## 33442

QUICK LIFT PINS

### Material

Stainless steel 1.4542, (AISI 630) precipitation hardened.

### Technical Notes

Suitable for applications which require installation flush to the surface. These are used for quick and safe locating

of lifting pins.

Corrosion and abrasion resistant.

Reference 'l' indicates nominal length lifting pin grip length to suit the bush. See lifting pin ranges 33400 & 33420.

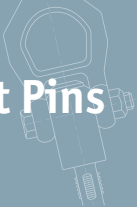
### Important Notes

Alternative installation tools are available.

See part no. 94000.W0061 for 33442.W1900 to W1906 or 94000.W0063 for 33442.W1910 to W1956

Order No.	For pin dia. $d_1$ nom.	For pin length nom.	$d_1$ tol. H11	$d_2$	$d_3$ -0.2	$d_4$ +0.3	Weight g
33442.W1900	8	10	8	M16 x 1,5	24	9.8	33
33442.W1902	8	15	8	M16 x 1,5	24	9.8	33
33442.W1904	8	25	8	M16	24	9.8	33
33442.W1906	8	35	8	M16	24	9.8	33
33442.W1910	10	15	10	M20 x 1,5	28	12.2	70
33442.W1912	10	25	10	M20 x 1,5	28	12.2	70
33442.W1914	10	35	10	M20	28	12.2	70
33442.W1916	10	50	10	M20	28	12.2	70
33442.W1920	12	15	12	M24 x 1,5	32	14.7	94
33442.W1922	12	25	12	M24 x 1,5	32	14.7	94
33442.W1924	12	35	12	M24	32	14.7	94
33442.W1926	12	50	12	M24	32	14.7	94
33442.W1930	16	25	16	M30 x 2	39	19.2	163
33442.W1934	16	50	16	M30	39	19.2	163
33442.W1936	16	75	16	M30	39	19.2	163
33442.W1954	20	50	20	M36 x 2	43	26.0	340
33442.W1956	20	75	20	M36 x 2	43	26.0	340
33442.W9095	Inst. adapter for socket wrench for 33442.W1900 to .W1906		-	-	-	-	-
33442.W9096	Inst. adapter for socket wrench for 33442.W1910 to .W1916		-	-	-	-	-
33442.W9097	Inst. adapter for socket wrench for 33442.W1920 to .W1926		-	-	-	-	-
33442.W9098	Inst. adapter for socket wrench for 33442.W1930 to .W1956		-	-	-	-	-

Order No.	$d_5$ +0.1	$l_1$	$l_2$	$l_3$	$l_4$	x mm	$F_1$ kN	$F_2$ kN	$F_3$ kN	Tightening torque max.	For lifting pin 33400	For lifting pin 33420
33442.W1900	3.1	25	20	16	-	1.5	1.5	1.2	0.5	75	33400.W0601	33420.W0701
33442.W1902	3.1	25	20	16	-	1.5	1.5	1.2	0.5	75	33400.W0602	33420.W0702
33442.W1904	3.1	35	30	16	-	1.5	1.5	1.2	0.5	75	33400.W0604	33420.W0704
33442.W1906	3.1	45	40	16	-	1.5	1.5	1.2	0.5	75	33400.W0606	33420.W0706
33442.W1910	5.1	30	24	20	-	1.5	2.7	2.4	2.1	100	33400.W0621	33420.W0721
33442.W1912	5.1	35	29	20	-	1.5	2.7	2.4	2.1	100	33400.W0623	33420.W0723



## Locating Bushes, Plain

for quick lift pins no.'s 33400 and 33420



QUICK LIFT PINS

Order No.	d <sub>5</sub> +0.1	l <sub>1</sub>	l <sub>2</sub>	l <sub>3</sub>	l <sub>4</sub>	x mm	F <sub>1</sub> kN	F <sub>2</sub> kN	F <sub>3</sub> kN	Tightening torque max.	For lifting pin 33400	For lifting pin 33420
<b>33442.W1914</b>	5.1	45	39	20	-	1.5	2.7	2.4	2.1	100	33400.W0625	33420.W0725
<b>33442.W1916</b>	5.1	60	54	20	-	1.5	2.7	2.4	2.1	100	33400.W0627	33420.W0727
<b>33442.W1920</b>	5.1	32	26	22	-	1.5	3.5	3.2	2.8	150	33400.W0631	33420.W0731
<b>33442.W1922</b>	5.1	40	34	22	-	1.5	3.5	3.2	2.8	150	33400.W0633	33420.W0733
<b>33442.W1924</b>	5.1	50	44	22	3.8	1.5	3.5	3.2	2.8	150	33400.W0635	33420.W0735
<b>33442.W1926</b>	5.1	65	59	22	18.8	1.5	3.5	3.2	2.8	150	33400.W0637	33420.W0737
<b>33442.W1930</b>	5.1	45	39	30	-	1.5	4.8	4.5	4.1	200	33400.W0641	33420.W0741
<b>33442.W1934</b>	5.1	65	59	30	6.0	1.5	4.8	4.5	4.1	200	33400.W0643	33420.W0743
<b>33442.W1936</b>	5.1	90	84	30	31.0	1.5	4.8	4.5	4.1	200	33400.W0645	33420.W0745
<b>33442.W1954</b>	5.1	70	63	30	3.5	1.5	10.0	8.5	6.5	200	33400.W0673	33420.W0773
<b>33442.W1956</b>	5.1	95	88	30	28.5	1.5	10.0	8.5	6.5	200	33400.W0675	33420.W0775
<b>33442.W9095</b>	-	-	-	-	-	-	-	-	-	-	-	-
<b>33442.W9096</b>	-	-	-	-	-	-	-	-	-	-	-	-
<b>33442.W9097</b>	-	-	-	-	-	-	-	-	-	-	-	-
<b>33442.W9098</b>	-	-	-	-	-	-	-	-	-	-	-	-