

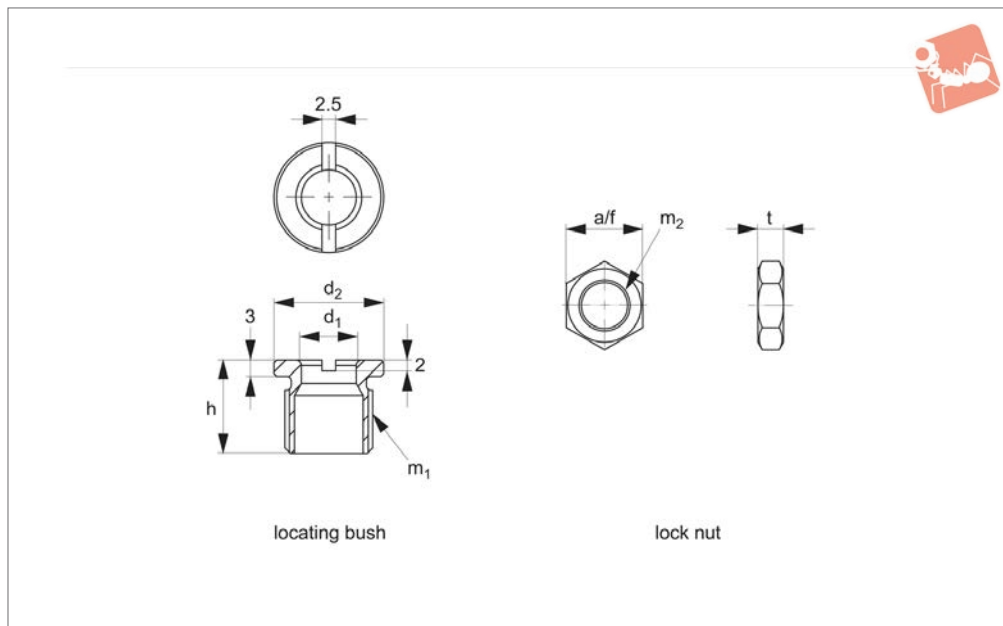


Locating Bushes

for one-touch fasteners 33910 to 33918



One Touch Fasteners



33920

ONE TOUCH FASTENERS

Material

Body: steel or stainless steel SUS303.
Nut: stainless steel SUS303.

Technical Notes

Used in conjunction with one-touch fasteners 33910 to 33918, locating bushes 33920 provide secure fastening of panels and covers. Locating bushes are of particular use in soft metals, such as aluminium where receiving surfaces may wear. One-

touch fasteners are the ideal solution for applications requiring rapid and recurring change over tooling or set ups. Use in applications as diverse as bottling processes, machine covers, changing of cogs and drive belts.

Tips

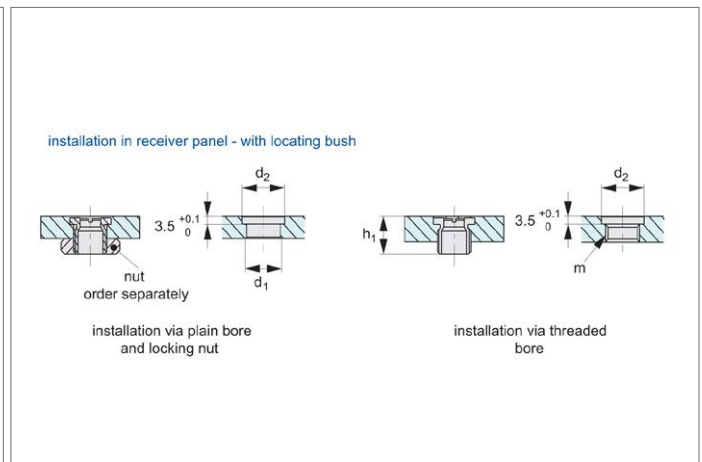
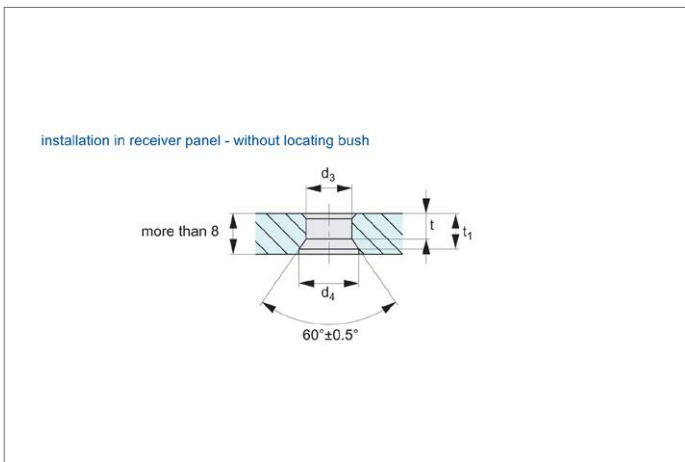
While we recommend the use of locating bushes as receivers for our one-touch fasteners, it is also possible to mount one-

touch fasteners without them, see specifications opposite.

Important Notes

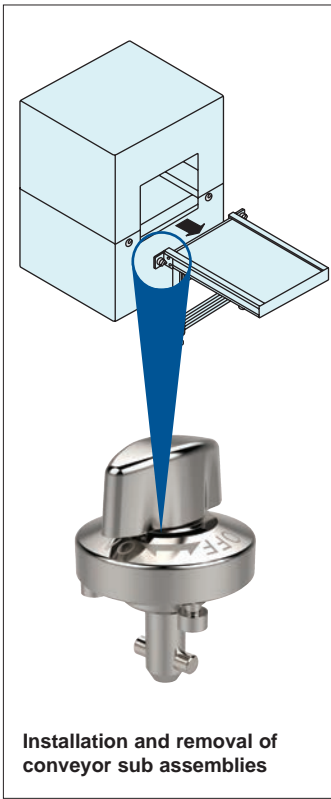
Suitable for panels/enclosures of 6 to 20mm thickness. For one-touch fasteners see part no. 33910 to 33918. For installation instructions see technical page. Temperature resistant to 180°C.

Order No.	Type	Material	d_1 $+0.4 +0.2$	d_2 tol. h9	h	m_1	For panel thickness	Weight g
33920.W0006	Bush	Steel	6	16	15	M12x1,5	>6	9
33920.W0010	Bush	Steel	10	20	17	M16x1,5	>6	13
33920.W0206	Bush	S/S	6	16	15	M12x1,5	>6	9
33920.W0210	Bush	S/S	10	20	17	M16x1,5	>6	13

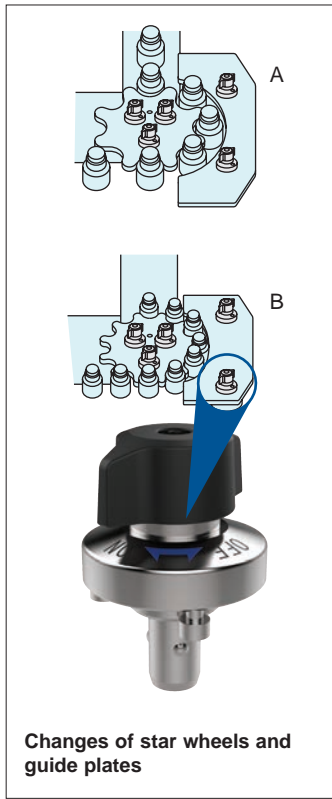




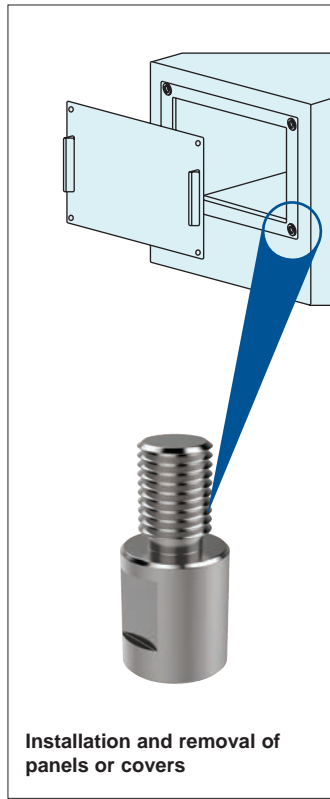
One-Touch Fasteners - Alternatives to Screws



Installation and removal of
conveyor sub assemblies



Changes of star wheels and
guide plates



Installation and removal of
panels or covers



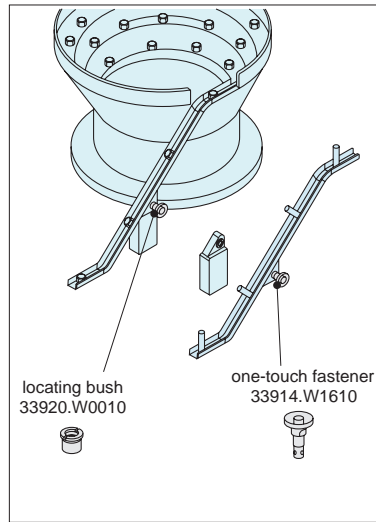
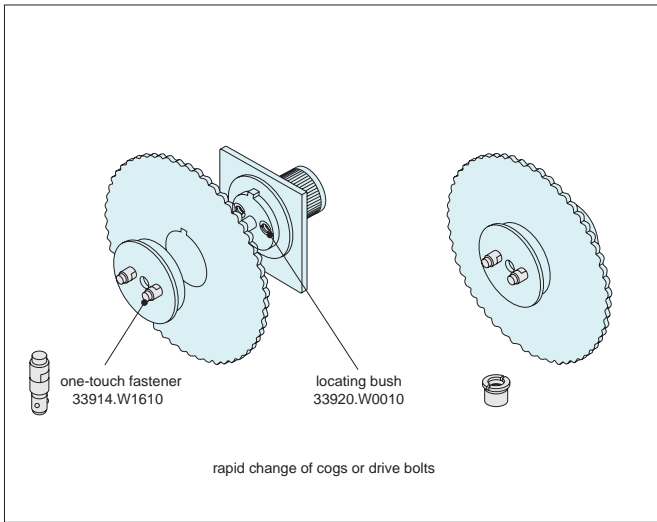
Change of shoots or
production guides

Easy & Secure! For Quick Changeover with No Tools!



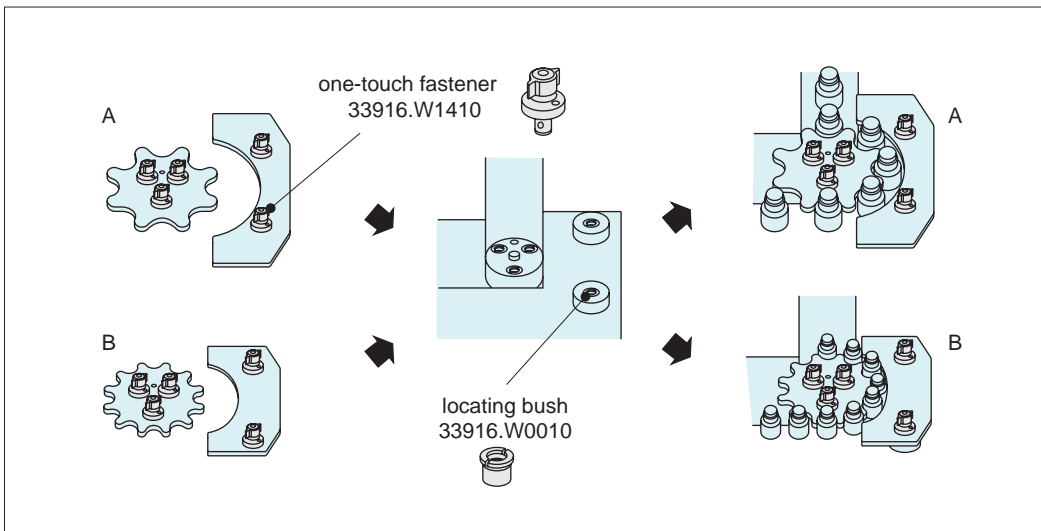


One-Touch Change Over

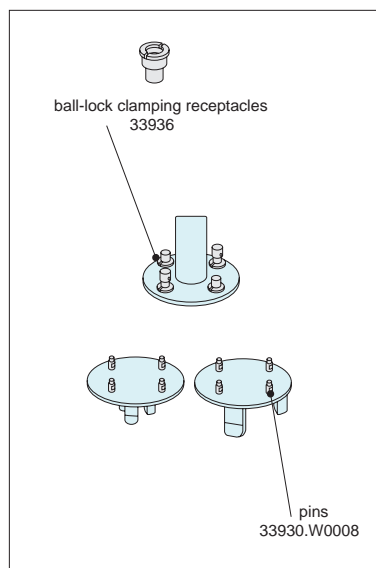
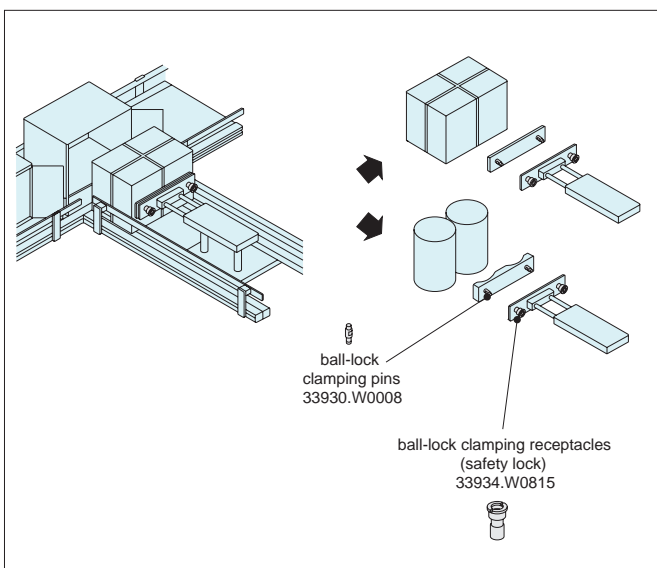


Installation and Removal of Rotary Blades and Changes of Shooters

ONE TOUCH FASTENERS



Changes of Star Wheels and Guide Plates

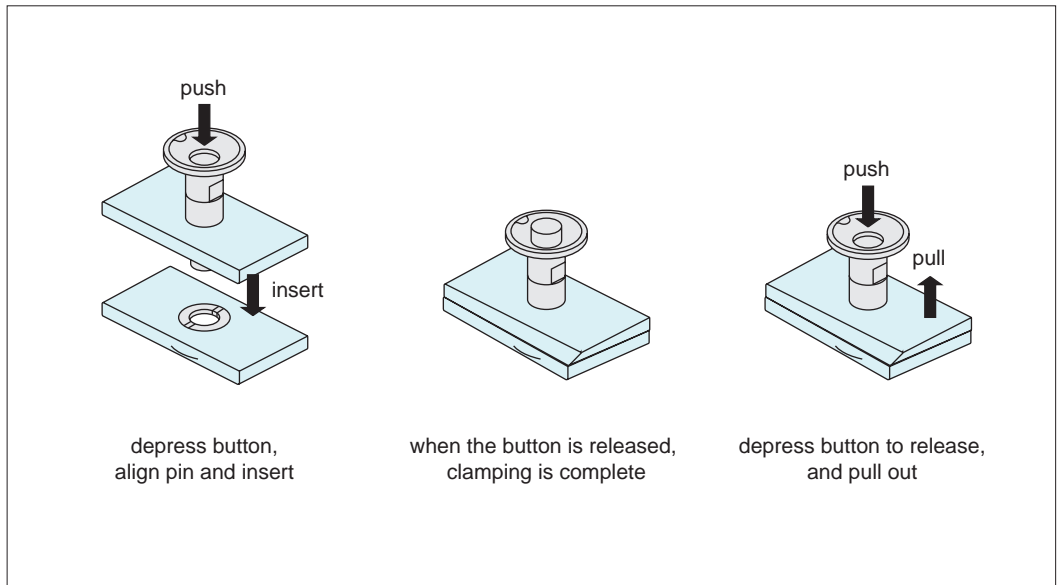


Changes of Pusher and Changes of Chuck Handling Machines

ov-W33910-A-T-W33956-A-T-one-touch-fasteners-b-rmh - Updated - 27-10-2022



Operating Instructions



Operating Principle

