

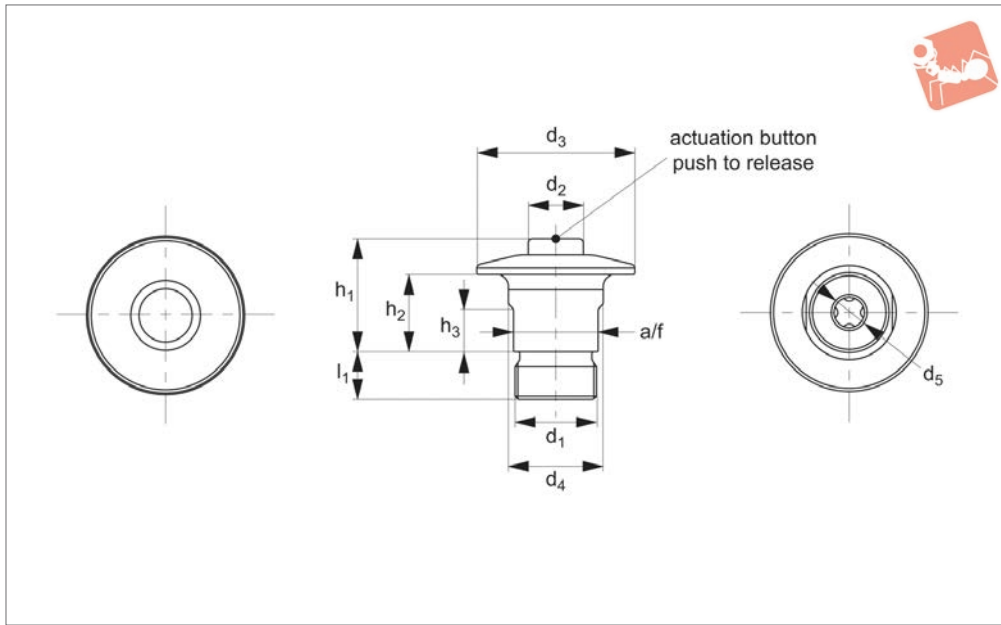


# One-Touch Fastener - Ball Clamping

push button lock - button handle - stainless



## One Touch Fasteners



**33924**

ONE TOUCH FASTENERS

### Material

Body: stainless steel SUS303  
 Ball: stainless steel SUS440  
 Spring: stainless steel SUS304  
 O-Ring: fluororubber

### Technical Notes

One-touch fasteners are the ideal solution for applications requiring rapid and recurring change over of tooling or set ups. Use in applications as diverse as bottling processes, machine covers, changing of cogs and drive belts. One-touch fasteners provide a quick, simple and secure change

over solution - no time wasted in unfastening screws or other permanent fixings, and no opportunity for lost fixings in your machinery. Temperature resistant to 180°C.

### Tips

Used in conjunction with pin 33923. For highly accurate locating, use locating pins 36340 & 36341

### Important Notes

Suitable for panel/enclosures of 3 to 10mm thickness.

Used in conjunction with pin 33923. Tensile strength stated is for locked position/state of fastener.

### Actuation:

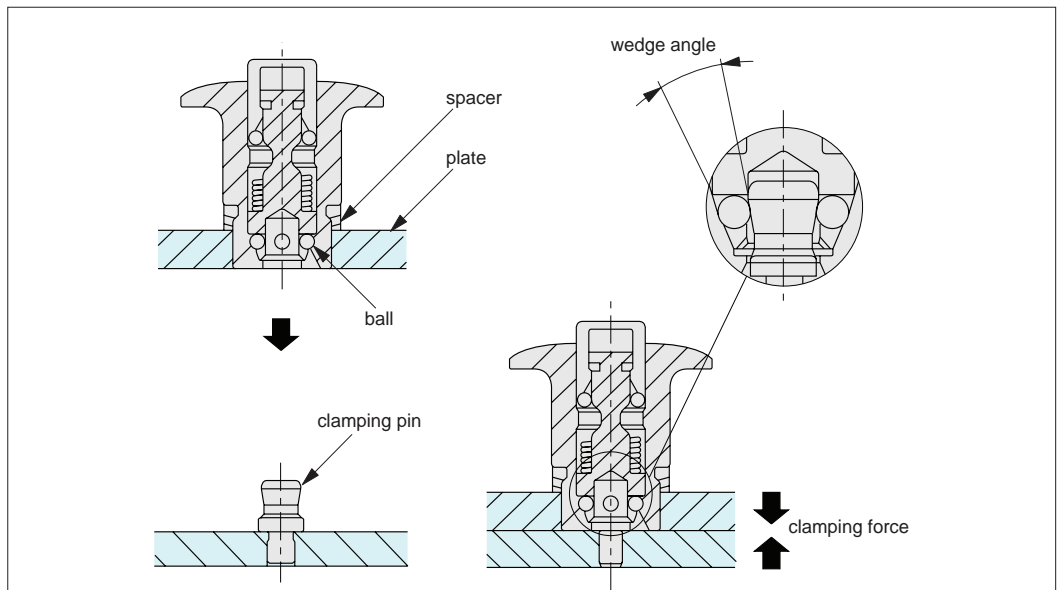
- Engage clamp over pin, no need to push button, a positive „click“ is heard.
- Securing balls are locked and panel fastened.
- To release; while pushing down on release button, lift panel from pin- panel is released.

Order No.	For single panel thickness	For pin dia.	d <sub>1</sub>	d <sub>2</sub>	d <sub>3</sub>	d <sub>4</sub>	d <sub>5</sub> +0.4 +0.2	h <sub>1</sub>	h <sub>2</sub>	h <sub>3</sub>	l <sub>1</sub>	A/F	Clamping force N	Shear strength N	Tensile strength N	Weight g
33924.W1006	3-10	6	M16x1,0	11	32	19	6	23	15,5	8,5	9,5	17	6	1100	250	65



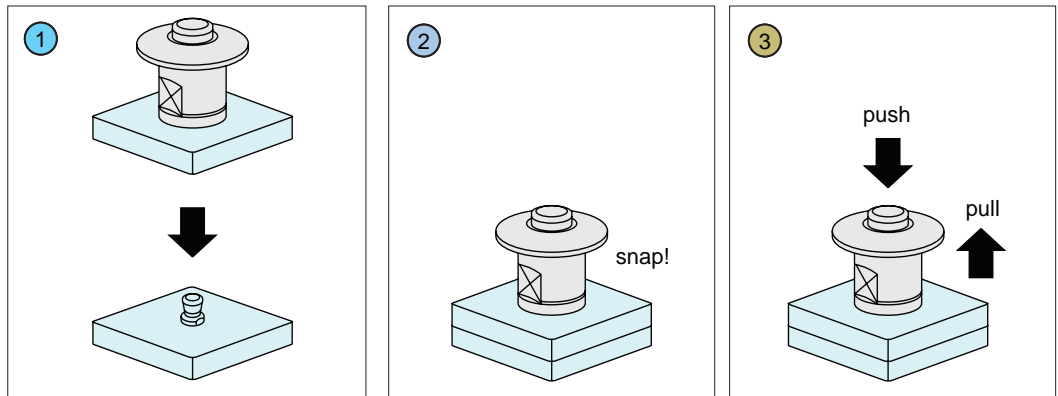
### Operating Principle

Four ball bearings clamp onto the clamping pin (33923), the wedge shape of the pin draws the panels together during clamping.



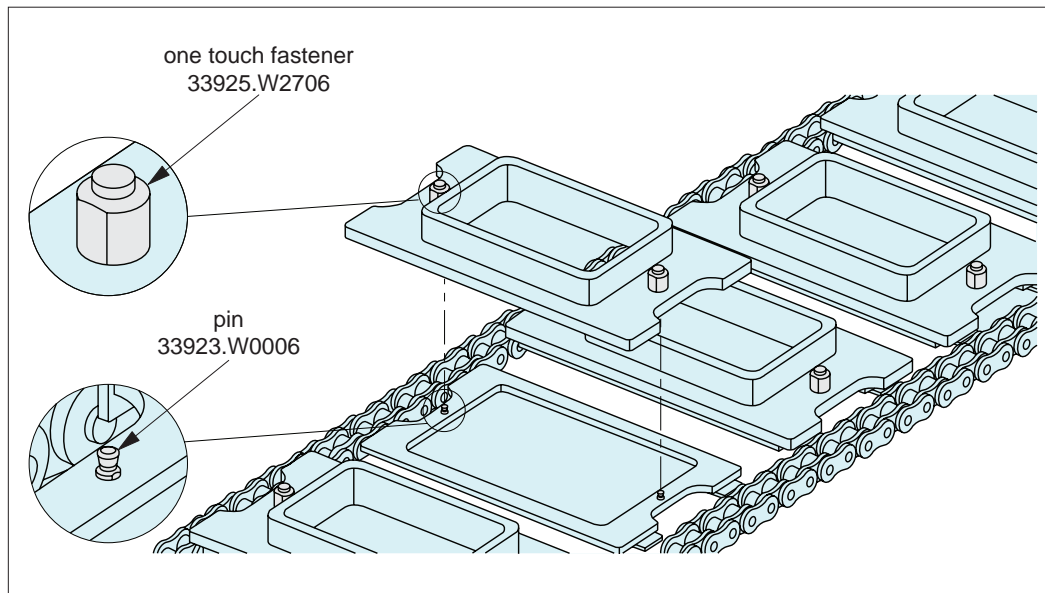
### Operating Instructions

- 1 Engage clamp over pin, no need to push button, a positive "click" is heard.
- 2 Securing balls are locked and panel fastened.
- 3 To release; while pushing down on release button, lift panel from pin - panel is released.

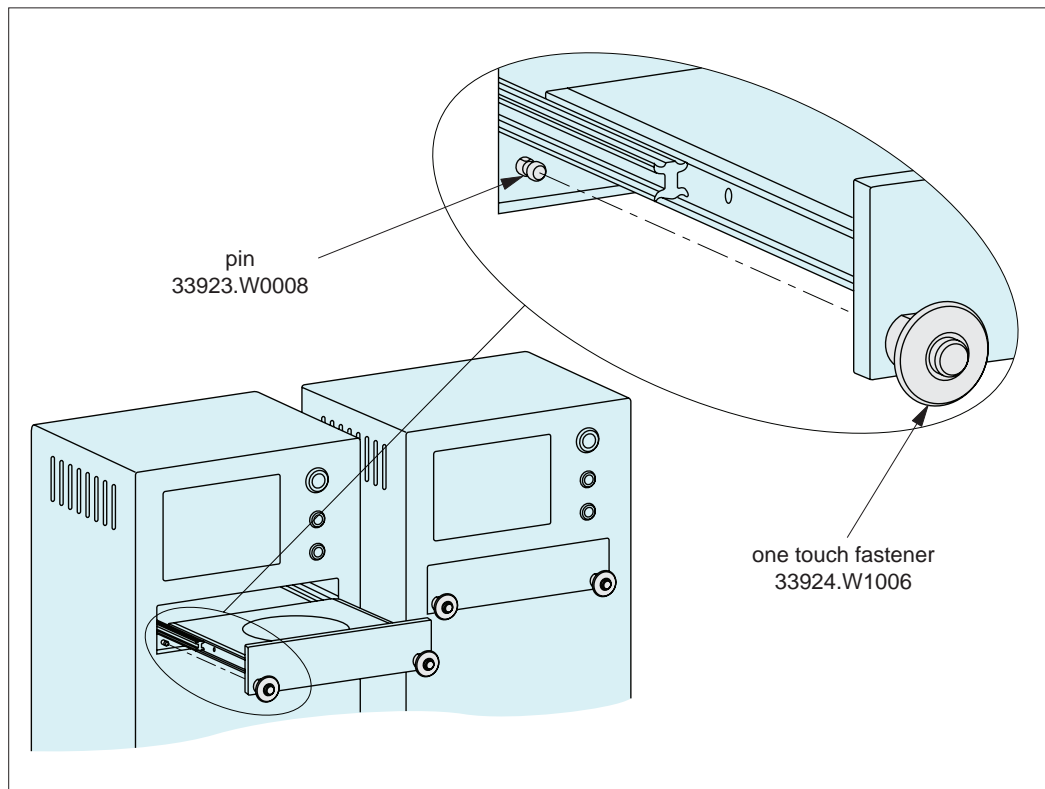




### One Touch Fastener Applications



#### Changes of Trays and Containers on Conveyers



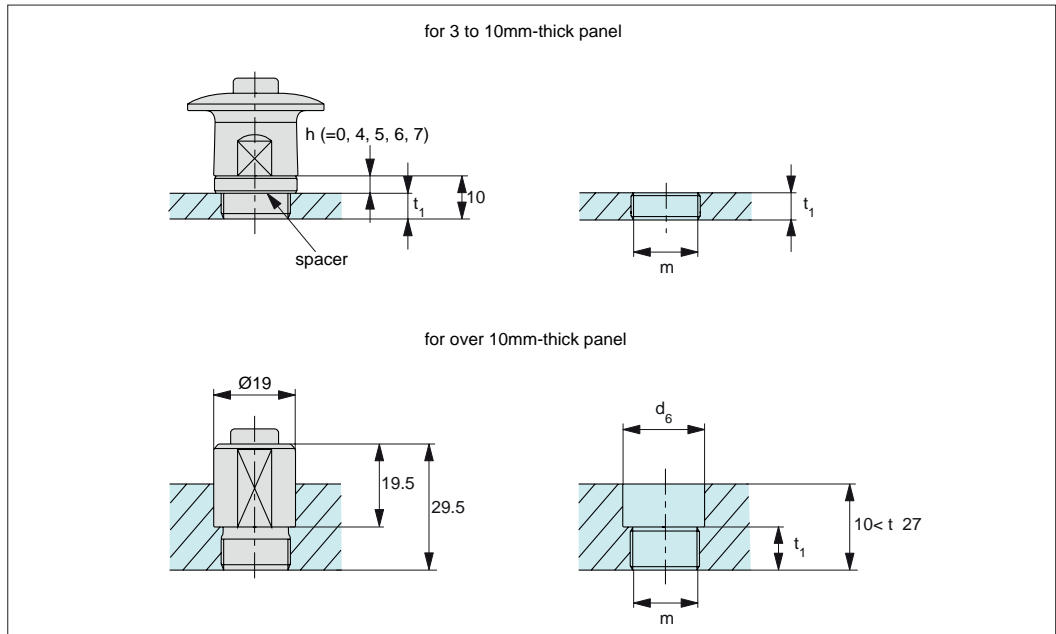
#### Securing Sliding Elements Such as Drawers

ONE TOUCH FASTENERS

ov-W33925-A-T-ball-clamping-one-touch-fasteners-installation-b-rmh - Updated - 27-10-2022



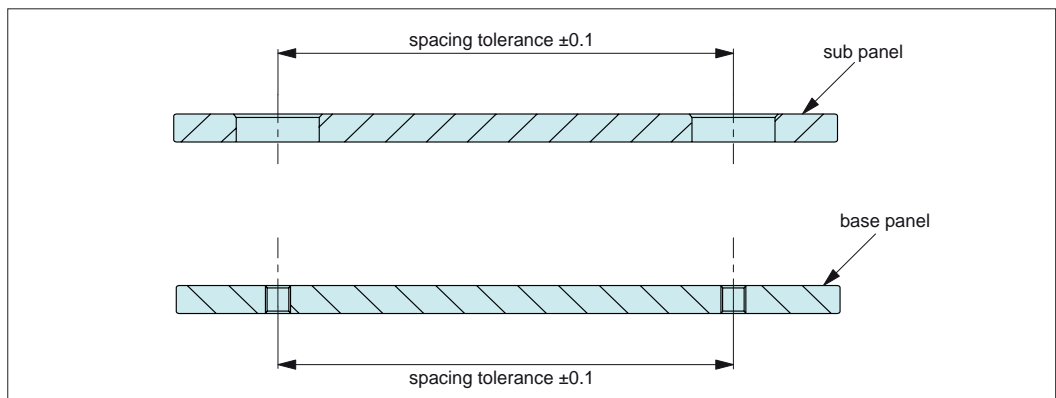
## Installation Dimensions



## Installation Best Practice

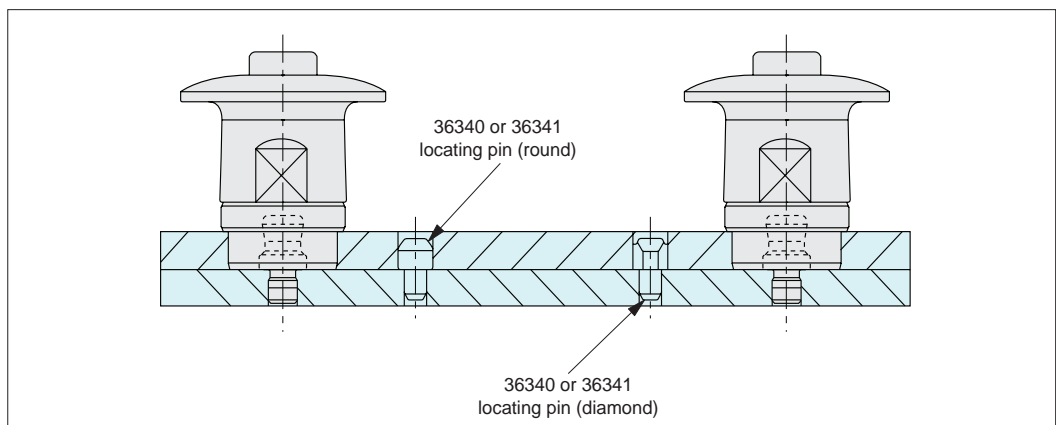
### Panel Tolerances

Spacing tolerance on both the sub panel and the base panel should be  $\pm 0.1$ .



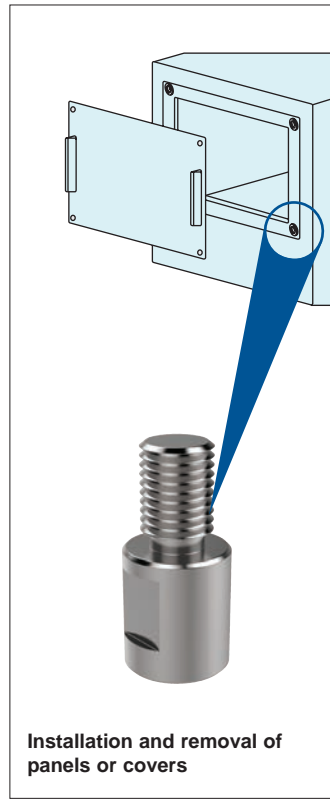
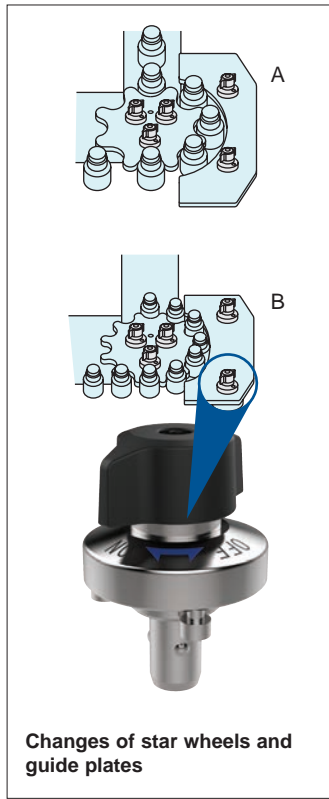
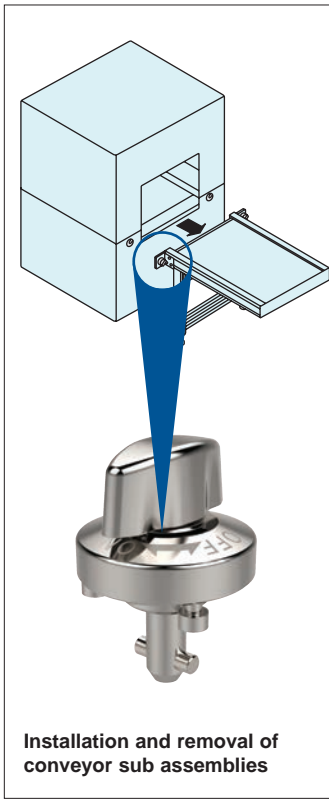
### Repeatability

For highly accurate locating, use locating pins 36340 or 36341. Repeatability of  $\pm 0.25$  is achievable.





### One-Touch Fasteners - Alternatives to Screws



ONE TOUCH FASTENERS

### Easy & Secure! For Quick Changeover with No Tools!

