

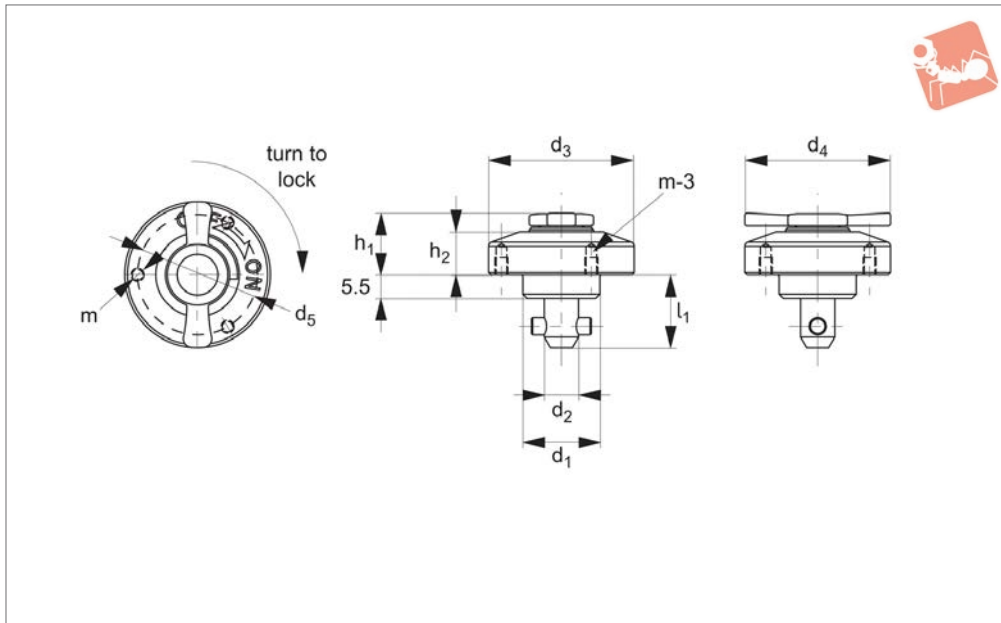


One-Touch Fastener - Cam Locking

quarter turn - low height - t-handle grip - steel



One Touch Fasteners



33944

ONE TOUCH FASTENERS

Material

Body and Shank: stainless steel SUS303
Pin, Knob, Spring: stainless steel SUS304.

Technical Notes

One-touch fasteners are the ideal solution for applications requiring rapid and recurring change over of tooling or set ups. Use in applications as diverse as bottling processes, machine covers, changing of

cogs and drive belts. One-touch fasteners provide a quick, simple and secure change over solution - no time wasted in unfastening screws or other permanent fixings, and no opportunity for lost fixings in your machinery. Temperature resistant to 200°C.

Important Notes

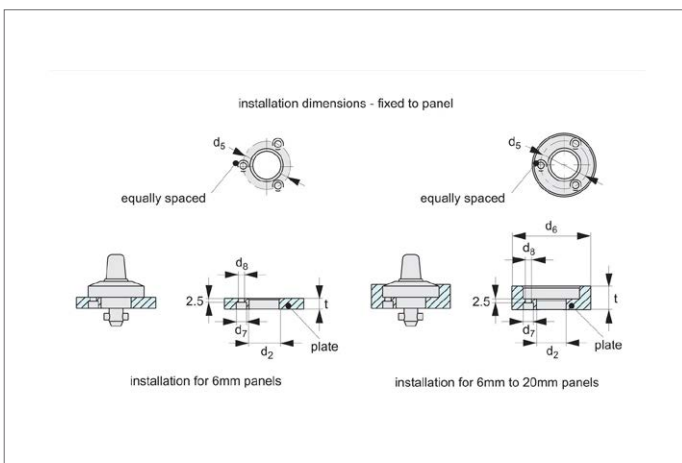
Suitable for panels/enclosures of 6 to 20

mm thickness. For locating bushes see part no. 33948 and 33949.

Actuation:

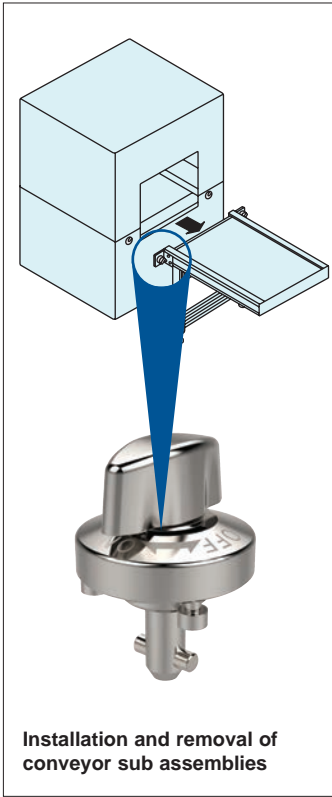
- Turn handle to off position: present cover panel to frame and align to locating bush.
- Turn handle 45° to on position: locking pin follows cam, tightening fastener and securely fastening panel.

Order No.	For single panel thickness	Clamping force N	d ₁ -0.04 - tol. h9 0.08	d ₂	d ₃	d ₄	d ₅	l ₁	h ₁	h ₂	m	Shear strength N	Tensile strength N	Weight g
33944.W1005	6-10	60	5	14	25	25	21	15,5	11,5	6,5	M 2x0,4	1800	1200	35
33944.W1408	6-14	90	8	18	34	34	28	17,0	14,0	10,0	M 3x0,5	3200	2600	80
33944.W2008	12-20	90	8	18	34	34	28	23,0	14,0	10,0	M 3x0,5	3200	2600	85

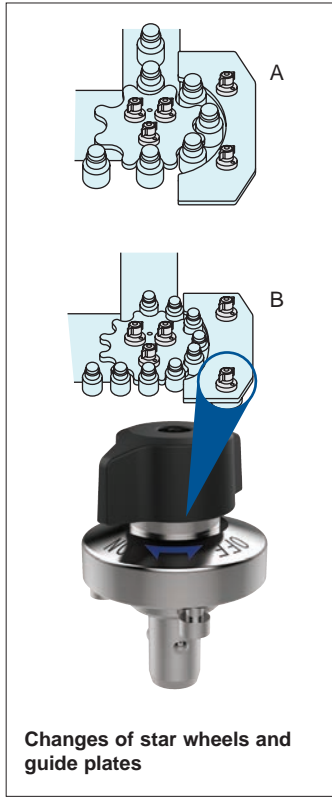




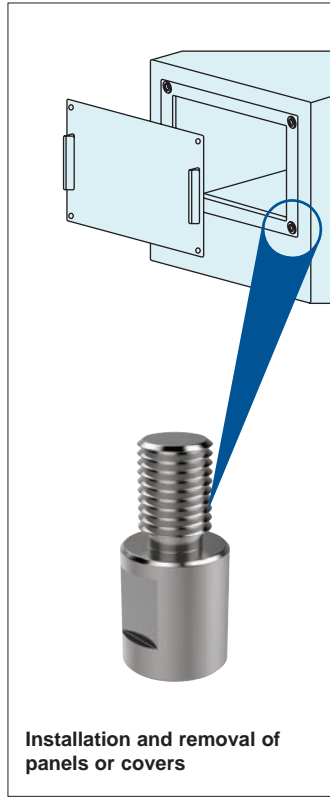
One-Touch Fasteners - Alternatives to Screws



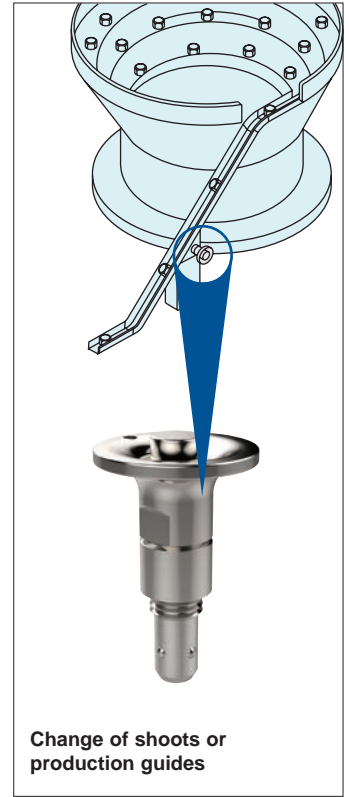
Installation and removal of conveyor sub assemblies



Changes of star wheels and guide plates



Installation and removal of panels or covers



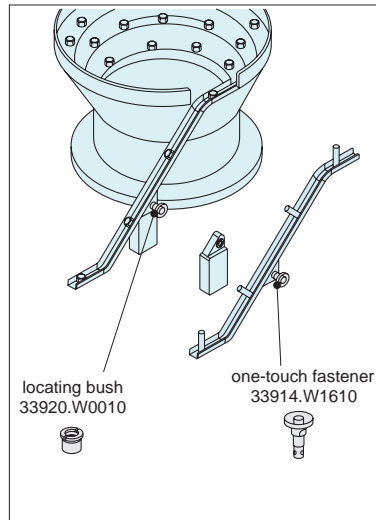
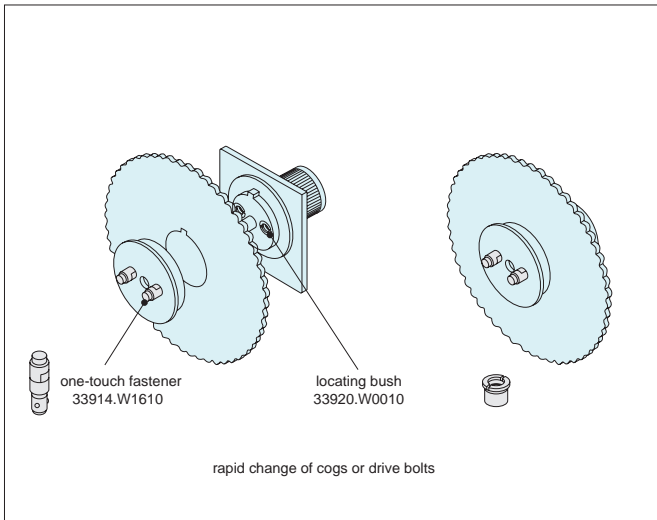
Change of shoots or production guides

Easy & Secure! For Quick Changeover with No Tools!



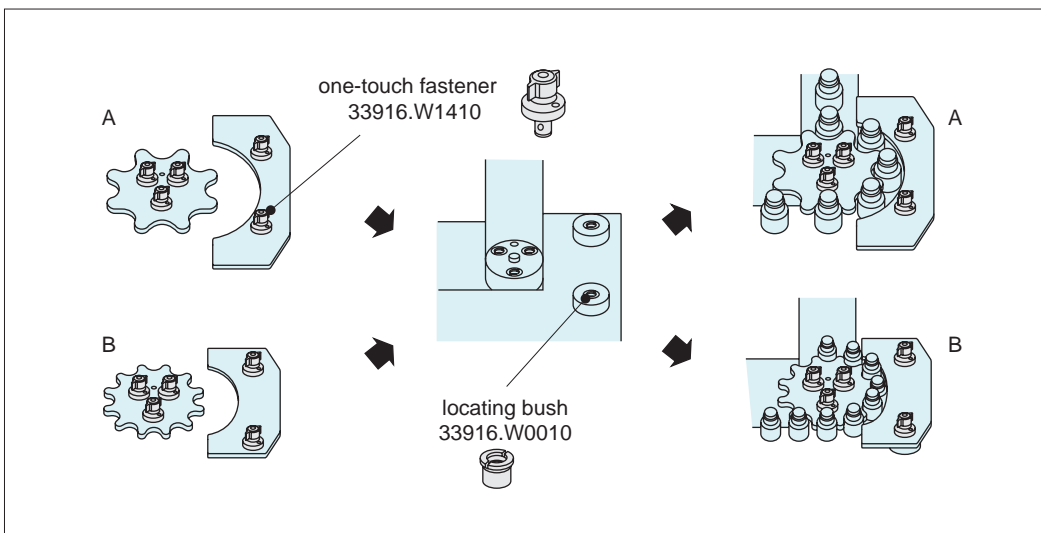


One-Touch Change Over

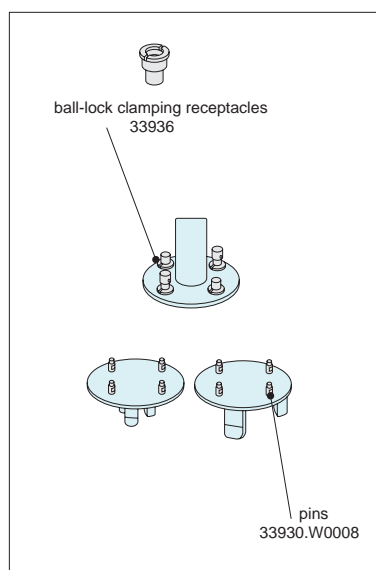
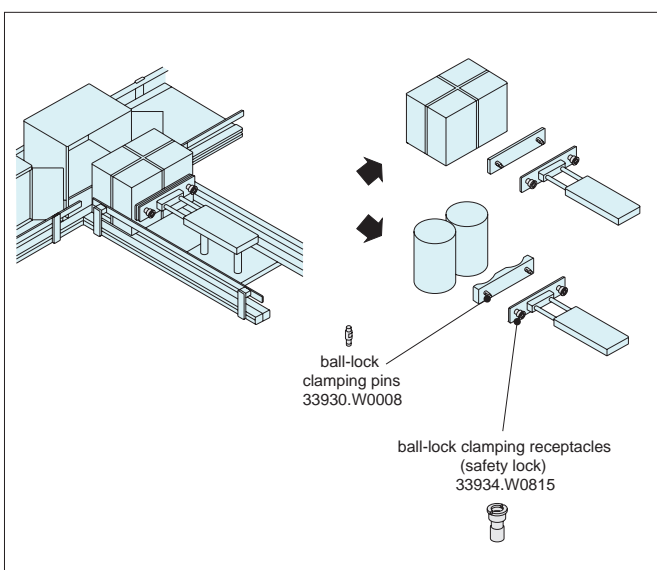


Installation and Removal of Rotary Blades and Changes of Shooters

ONE TOUCH FASTENERS



Changes of Star Wheels and Guide Plates



Changes of Pusher and Changes of Chuck Handling Machines

ov-W33910-A-T-W33956-A-T-one-touch-fasteners-b-rmh - Updated - 27-10-2022