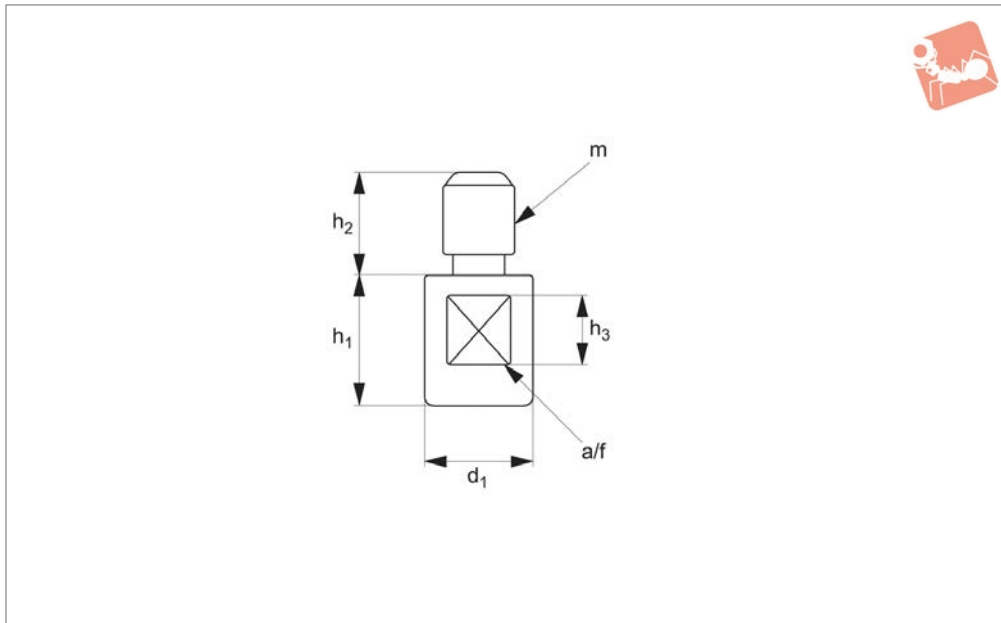


One-Touch Fastener - Magnetic Hold pin



One Touch Fasteners



33950

ONE TOUCH FASTENERS

Material

Body: steel, nickel plated.

Technical Notes

Used in conjunction with magnetic one-touch fasteners 33956, provides secure fastening of panels and covers. One-touch fasteners are the ideal solution for applica-

tions requiring rapid and recurring change over of tooling or set ups. Use in applications as diverse as bottling processes, machine covers, changing of cogs and drive belts.

Note: pin itself is not magnetic, it is for use with locating bush part no. 33956,

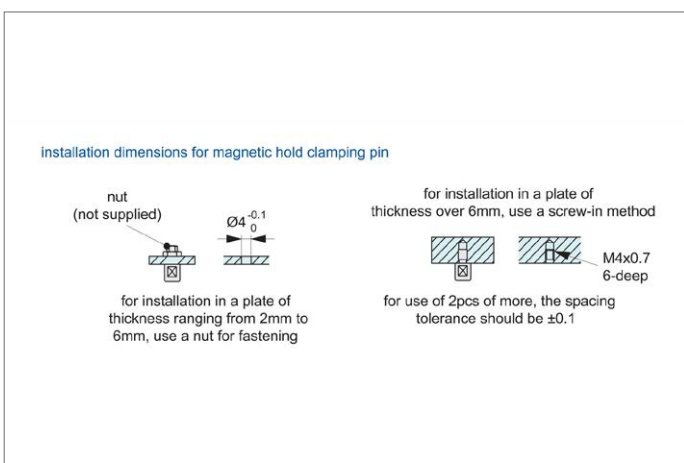
which contains magnet.

Important Notes

Suitable for panels/enclosures of 2 to 6 20 mm thickness.

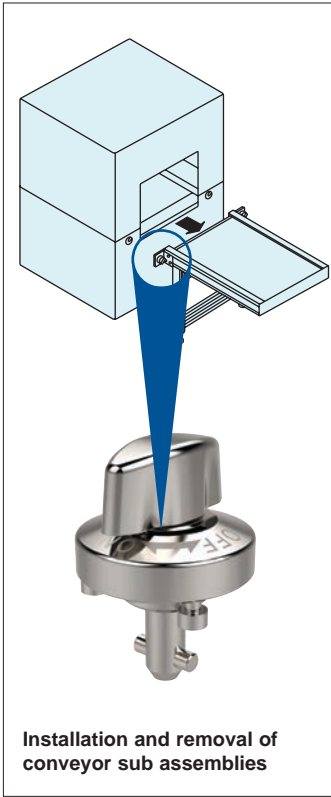
For installation instructions see technical page.

Order No.	For single panel thickness	d_1	h_1	h_2	h_3	m	A/F	Shear strength N	Weight g
33950.W0006	2 to 6	$-0.02 -0.04$ $\varnothing 6$	7	5.8	4	M 4x0,7	5	900	2

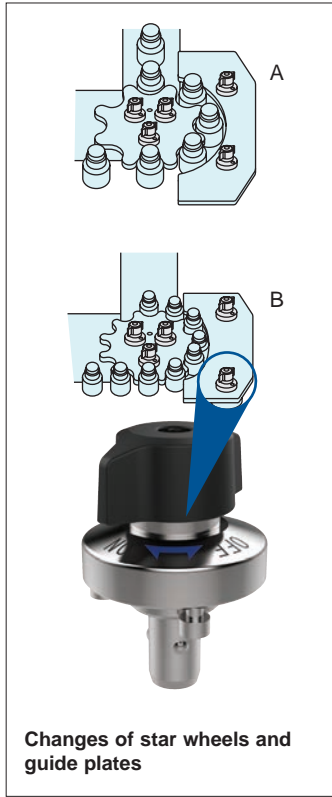




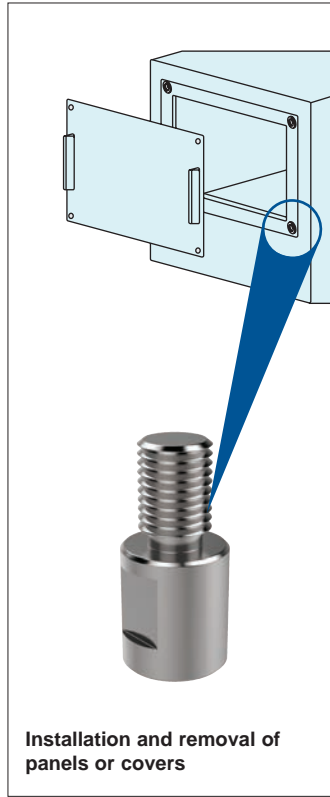
One-Touch Fasteners - Alternatives to Screws



Installation and removal of conveyor sub assemblies



Changes of star wheels and guide plates



Installation and removal of panels or covers



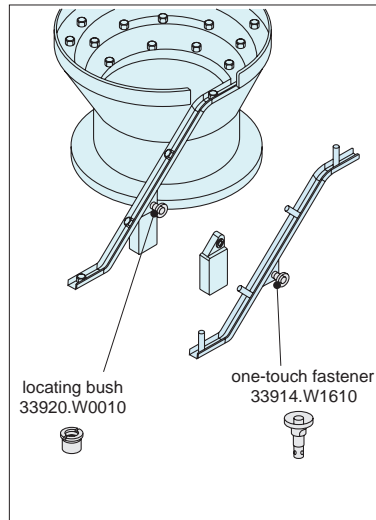
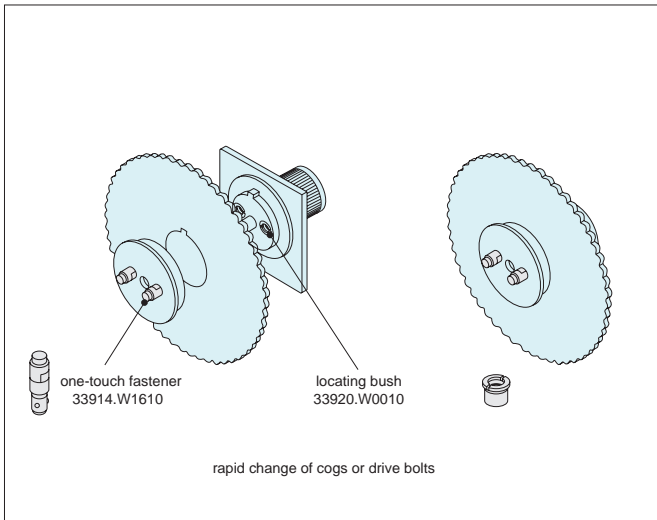
Change of shoots or production guides

Easy & Secure! For Quick Changeover with No Tools!



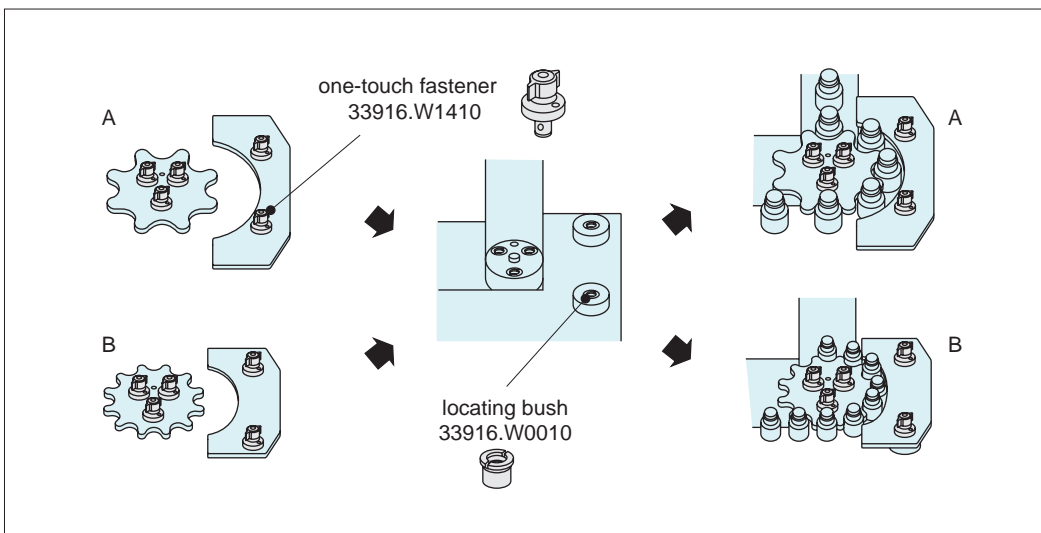


One-Touch Change Over

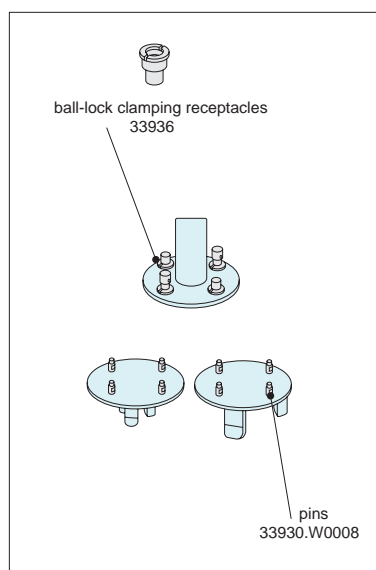
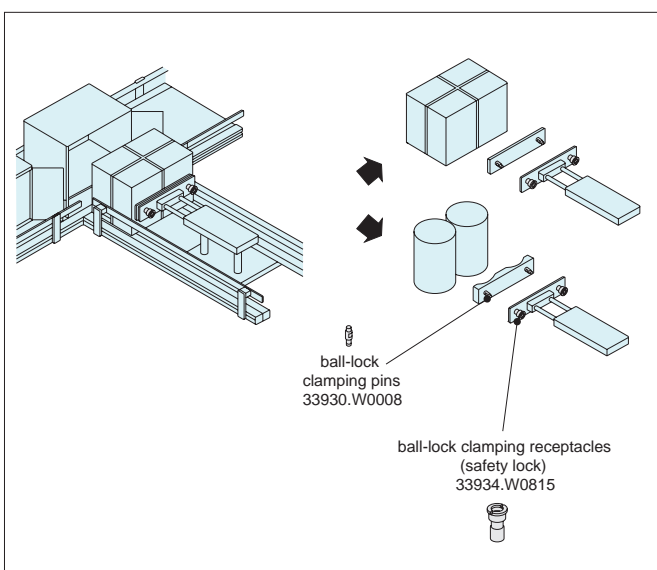


Installation and Removal of Rotary Blades and Changes of Shooters

ONE TOUCH FASTENERS



Changes of Star Wheels and Guide Plates



Changes of Pusher and Changes of Chuck Handling Machines

ov-W33910-A-T-W33956-A-T-one-touch-fasteners-b-rmh - Updated - 27-10-2022