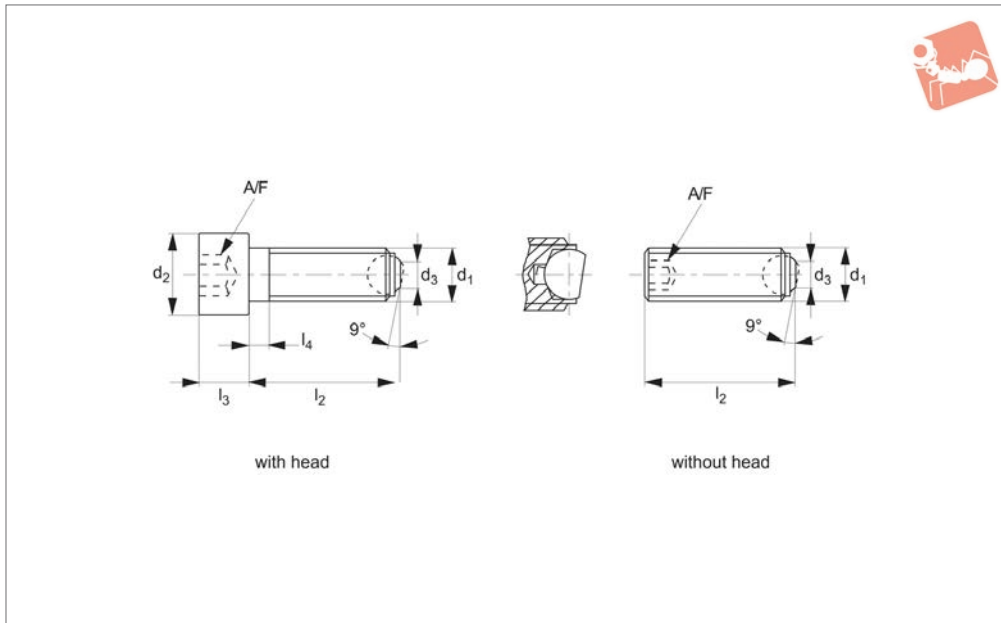




Thrust Screws - Stainless

ball ended - flat - metal - secured

Thrust Screws



34002

THRUST SCREWS

Material

Screw: stainless steel 1.4305 (AISI 303).
Heat-treated steel, 1200±100 N/mm².
Ball: stainless steel, hardened

surfaces that are not exactly parallel. Load transmission maximized due to moveable ball.

Note: thread runout l_4 .

face ball cannot flip over - see technical diagram

Technical Notes

For clamping, tightening or supporting of

Tips

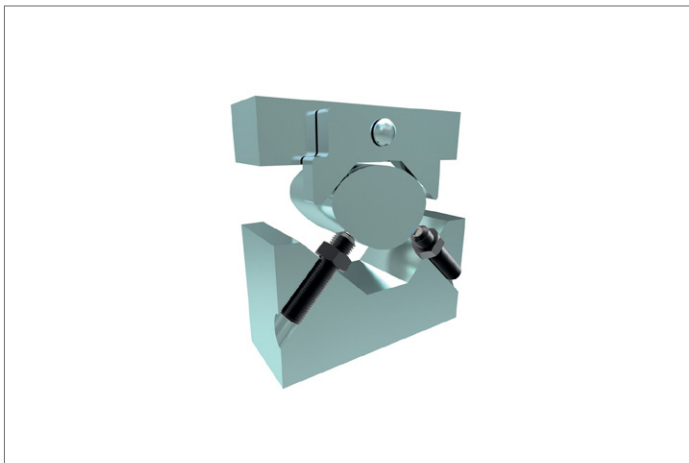
Ball secured against rotation so the flat

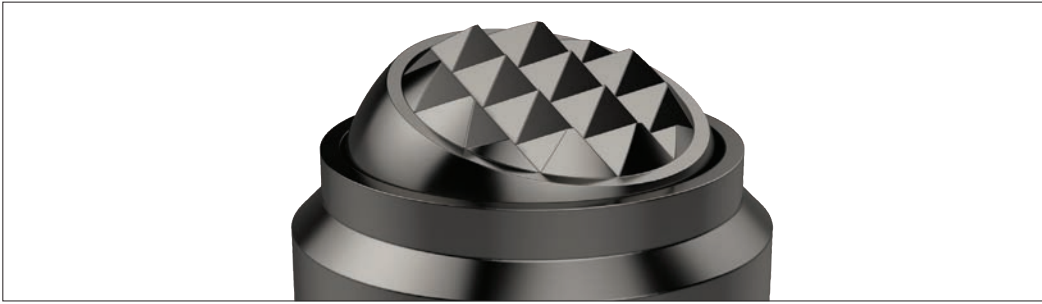
| Order No. | Type | d ₁ | l ₂ | d ₂ | d ₃ | l ₃ | l ₄ | Ball dia. | A/F | Weight g |
|-------------|-----------|----------------|----------------|----------------|----------------|----------------|----------------|-----------|-----|----------|
| 34002.W0302 | With Head | M 6 | 20 | 10 | 3.2 | 6 | 3.0 | 4.0 | 5 | 6.1 |
| 34002.W0304 | With Head | M 6 | 30 | 10 | 3.2 | 6 | 3.0 | 4.0 | 5 | 7.7 |
| 34002.W0306 | With Head | M 6 | 40 | 10 | 3.2 | 6 | 16.0 | 4.0 | 5 | 10.0 |
| 34002.W0312 | With Head | M 8 | 20 | 13 | 4.5 | 8 | 3.5 | 5.5 | 6 | 13.0 |
| 34002.W0314 | With Head | M 8 | 35 | 13 | 4.5 | 8 | 3.5 | 5.5 | 6 | 17.0 |
| 34002.W0316 | With Head | M 8 | 50 | 13 | 4.5 | 8 | 22.0 | 5.5 | 6 | 23.0 |
| 34002.W0322 | With Head | M10 | 25 | 16 | 6.0 | 10 | 4.5 | 7.0 | 8 | 24.0 |
| 34002.W0324 | With Head | M10 | 40 | 16 | 6.0 | 10 | 4.5 | 7.0 | 8 | 31.0 |
| 34002.W0326 | With Head | M10 | 60 | 16 | 6.0 | 10 | 28.0 | 7.0 | 8 | 44.0 |
| 34002.W0332 | With Head | M12 | 30 | 18 | 7.2 | 12 | 5.0 | 8.5 | 10 | 48.0 |
| 34002.W0334 | With Head | M12 | 50 | 18 | 7.2 | 12 | 5.0 | 8.5 | 10 | 52.0 |
| 34002.W0336 | With Head | M12 | 80 | 18 | 7.2 | 12 | 44.0 | 8.5 | 10 | 80.0 |
| 34002.W0342 | With Head | M16 | 40 | 24 | 10.7 | 16 | 6.0 | 12.0 | 14 | 92.0 |
| 34002.W0344 | With Head | M16 | 60 | 24 | 10.7 | 16 | 6.0 | 12.0 | 14 | 118.0 |
| 34002.W0346 | With Head | M16 | 80 | 24 | 10.7 | 16 | 36.0 | 12.0 | 14 | 153.0 |
| 34002.W0803 | W/o Head | M 6 | 12 | - | 3.2 | - | - | 4.0 | 3 | 1.6 |
| 34002.W0804 | W/o Head | M 6 | 16 | - | 3.2 | - | - | 4.0 | 3 | 2.3 |
| 34002.W0805 | W/o Head | M 6 | 20 | - | 3.2 | - | - | 4.0 | 3 | 2.9 |
| 34002.W0806 | W/o Head | M 6 | 25 | - | 3.2 | - | - | 4.0 | 3 | 3.8 |
| 34002.W0813 | W/o Head | M 8 | 16 | - | 4.5 | - | - | 5.5 | 4 | 3.7 |
| 34002.W0814 | W/o Head | M 8 | 20 | - | 4.5 | - | - | 5.5 | 4 | 5.1 |
| 34002.W0815 | W/o Head | M 8 | 25 | - | 4.5 | - | - | 5.5 | 4 | 6.5 |
| 34002.W0816 | W/o Head | M 8 | 30 | - | 4.5 | - | - | 5.5 | 4 | 8.1 |
| 34002.W0823 | W/o Head | M10 | 20 | - | 6.0 | - | - | 7.0 | 5 | 7.6 |
| 34002.W0824 | W/o Head | M10 | 25 | - | 6.0 | - | - | 7.0 | 5 | 10.0 |
| 34002.W0826 | W/o Head | M10 | 35 | - | 6.0 | - | - | 7.0 | 5 | 15.0 |
| 34002.W0828 | W/o Head | M10 | 40 | - | 6.0 | - | - | 7.0 | 5 | 17.0 |
| 34002.W0832 | W/o Head | M12 | 20 | - | 7.2 | - | - | 8.5 | 6 | 11.0 |
| 34002.W0834 | W/o Head | M12 | 30 | - | 7.2 | - | - | 8.5 | 6 | 18.0 |
| 34002.W0836 | W/o Head | M12 | 40 | - | 7.2 | - | - | 8.5 | 6 | 24.0 |
| 34002.W0838 | W/o Head | M12 | 50 | - | 7.2 | - | - | 8.5 | 6 | 32.0 |



| Order No. | Type | d ₁ | l ₂ | d ₂ | d ₃ | l ₃ | l ₄ | Ball dia. | A/F | Weight g |
|--------------------|----------|----------------|----------------|----------------|----------------|----------------|----------------|-----------|-----|-------------|
| 34002.W0841 | W/o Head | M16 | 20 | - | 10.7 | - | - | 12.0 | 8 | 22.0 |
| 34002.W0842 | W/o Head | M16 | 25 | - | 10.7 | - | - | 12.0 | 8 | 29.0 |
| 34002.W0844 | W/o Head | M16 | 35 | - | 10.7 | - | - | 12.0 | 8 | 38.0 |
| 34002.W0846 | W/o Head | M16 | 50 | - | 10.7 | - | - | 12.0 | 8 | 60.0 |

THRUST SCREWS



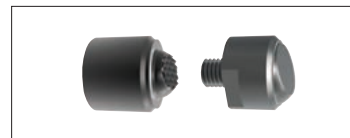
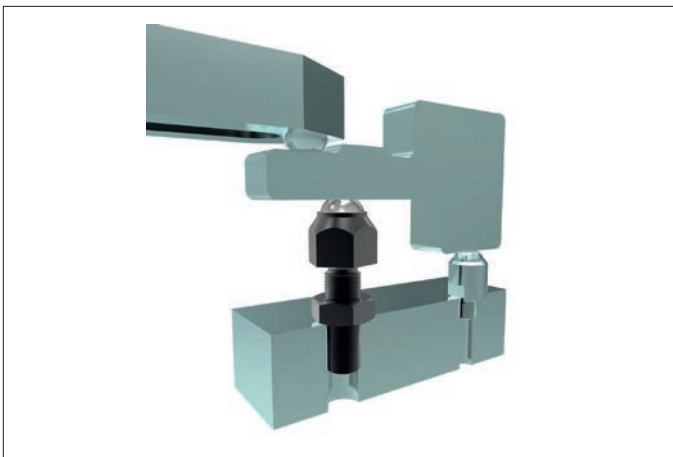


Clamping, supporting and aligning non-parallel and uneven surfaces is greatly simplified with the use of Wixroyd self-aligning pads and thrust screws. Available with ridged faces for improved holding of cast components, or plastic faces for holding more delicate parts.



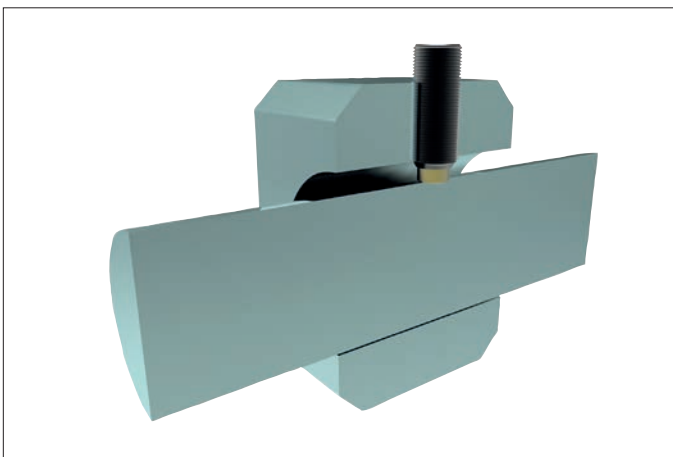
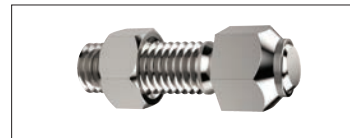
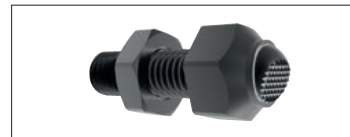
Self-aligning Thrust Screws

34000 to 34060 - Self-aligning thrust screws in sizes M6 to M24, ideal for clamping or supporting non-parallel surfaces.



Self-aligning Pads

34080 to 34121 - Self-aligning pads, both male and female mounting, ideal for accommodating variations between parts in fixtures.



Thrust Screws

34140 to 34160 - Thrust screws, with either brass or thermoplastic pads, are suitable for gentle clamping and positioning more delicate parts.



THRUST SCREWS

ov-W34000-A-T-W34160.2-AP0124-T-self-aligning-pads-and-thrust-screws-a-rmh - Updated - 28-10-2022