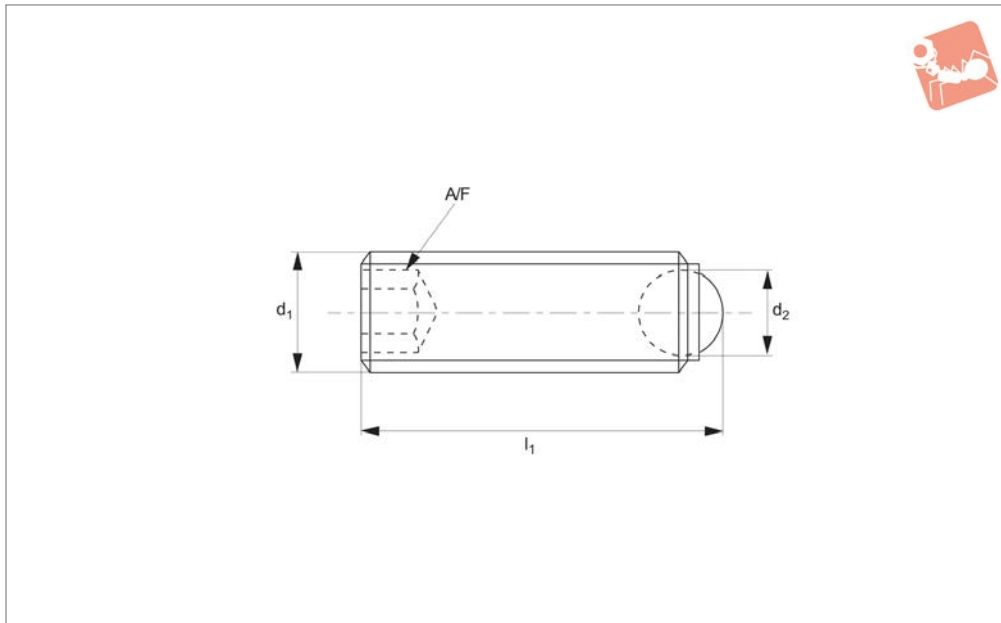




Thrust Screws - Ball Ended

headless - round ball - metal

Thrust Screws



34041

THRUST SCREWS

Material

Steel type-

Body: steel, heat-treated, 1200 ±100 N/mm².

Ball: ball bearing steel, hardened.

Stainless steel type-

Body: stainless steel (AISI 303, 1.4305).

Ball: stainless steel, hardened.

Technical Notes

For clamping, tightening or supporting of surfaces that are not exactly parallel.

Max. temperature 250°C.

Tips

Ball not secured against rotation. For other types see following pages.

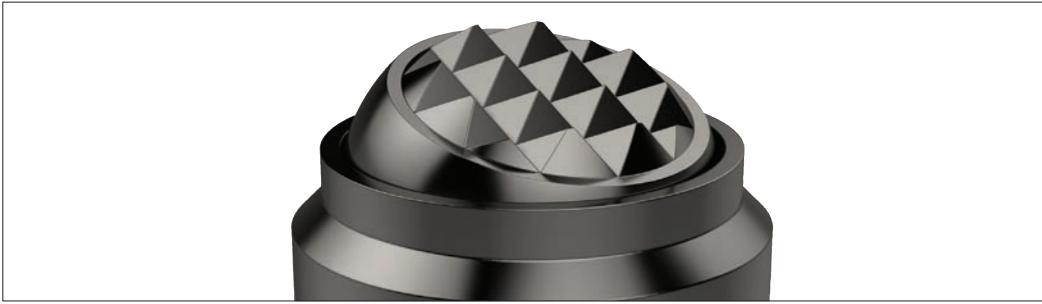
Important Notes

*Max. static load relates to steel version only.

Order No.	Material	Ball type	d ₁	d ₂	l ₁	A/F	Static load kN max.	Weight g
34041.W0032	Steel	Round	M 3	1.5	5.0	1.5	2.5	0.2
34041.W0033	Steel	Round	M 3	1.5	7.5	1.5	2.5	0.2
34041.W0034	Steel	Round	M 3	1.5	10.0	1.5	2.5	0.3
34041.W0042	Steel	Round	M 4	2.5	6.0	2.0	3.5	0.5
34041.W0043	Steel	Round	M 4	2.5	8.0	2.0	3.5	0.6
34041.W0044	Steel	Round	M 4	2.5	10.0	2.0	3.5	0.8
34041.W0045	Steel	Round	M 4	2.5	12.0	2.0	3.5	0.7
34041.W0046	Steel	Round	M 4	2.5	16.0	2.0	3.5	1.2
34041.W0052	Steel	Round	M 5	3.0	8.0	2.5	4.5	0.8
34041.W0053	Steel	Round	M 5	3.0	10.0	2.5	4.5	1.1
34041.W0054	Steel	Round	M 5	3.0	12.0	2.5	4.5	1.3
34041.W0055	Steel	Round	M 5	3.0	16.0	2.5	4.5	1.5
34041.W0056	Steel	Round	M 5	3.0	20.0	2.5	4.5	2.2
34041.W0058	Steel	Round	M 5	3.0	25.0	2.5	4.5	2.8
34041.W0062	Steel	Round	M 6	4.0	10.8	3.0	9.0	1.5
34041.W0063	Steel	Round	M 6	4.0	12.8	3.8	9.0	1.9
34041.W0064	Steel	Round	M 6	4.0	16.8	3.0	9.0	2.5
34041.W0065	Steel	Round	M 6	4.0	20.8	3.0	9.0	3.3
34041.W0066	Steel	Round	M 6	4.0	25.8	3.0	9.0	4.0
34041.W0081	Steel	Round	M 8	5.5	11.2	4.0	15.0	2.6
34041.W0082	Steel	Round	M 8	5.5	13.2	4.0	15.0	3.0
34041.W0083	Steel	Round	M 8	5.5	17.2	4.0	15.0	4.2
34041.W0084	Steel	Round	M 8	5.5	21.2	4.0	15.0	5.4
34041.W0085	Steel	Round	M 8	5.5	26.2	4.0	15.0	6.9
34041.W0086	Steel	Round	M 8	5.5	31.2	4.0	15.0	8.4
34041.W0101	Steel	Round	M10	7.0	13.7	5.0	20.0	4.8
34041.W0102	Steel	Round	M10	7.0	17.7	5.0	20.0	6.2
34041.W0103	Steel	Round	M10	7.0	21.7	5.0	20.0	8.1
34041.W0104	Steel	Round	M10	7.0	26.7	5.0	20.0	11.0
34041.W0105	Steel	Round	M10	7.0	31.7	5.0	20.0	13.0



Order No.	Material	Ball type	d ₁	d ₂	l ₁	A/F	Static load kN max.	Weight g
34041.W0106	Steel	Round	M10	7.0	36.7	5.0	20.0	15.0
34041.W0108	Steel	Round	M10	7.0	41.7	5.0	20.0	15.0
34041.W0121	Steel	Round	M12	8.5	18.0	6.0	30.0	9.3
34041.W0122	Steel	Round	M12	8.5	22.0	6.0	30.0	11.0
34041.W0123	Steel	Round	M12	8.5	27.0	6.0	30.0	15.0
34041.W0124	Steel	Round	M12	8.5	32.0	6.0	30.0	18.0
34041.W0126	Steel	Round	M12	8.5	42.0	6.0	30.0	25.0
34041.W0128	Steel	Round	M12	8.5	52.0	6.0	30.0	32.5
34041.W0161	Steel	Round	M16	12.0	23.3	8.0	30.0	22.0
34041.W0162	Steel	Round	M16	12.0	28.3	8.0	60.0	27.0
34041.W0164	Steel	Round	M16	12.0	38.3	8.0	60.0	40.0
34041.W0166	Steel	Round	M16	12.0	53.3	8.0	60.0	62.0
34041.W0202	Steel	Round	M20	15.0	34.2	10.0	90.0	52.0
34041.W0204	Steel	Round	M20	15.0	42.2	10.0	90.0	72.0
34041.W0205	Steel	Round	M20	15.0	54.2	10.0	90.0	93.0
34041.W0206	Steel	Round	M20	15.0	64.2	10.0	90.0	115.0
34041.W0242	Steel	Round	M24	18.0	39.7	12.0	120.0	87.0
34041.W0244	Steel	Round	M24	18.0	54.7	12.0	120.0	129.0
34041.W0246	Steel	Round	M24	18.0	84.7	12.0	120.0	222.0
34041.W0747	Stainless	Round	M 3	1.5	5.0	1.5	-	0.2
34041.W0748	Stainless	Round	M 3	1.5	7.5	1.5	-	0.2
34041.W0749	Stainless	Round	M 3	1.5	10.0	1.5	-	0.3
34041.W0750	Stainless	Round	M 4	2.5	6.0	2.0	-	0.5
34041.W0752	Stainless	Round	M 4	2.5	8.0	2.0	-	0.6
34041.W0754	Stainless	Round	M 4	2.5	10.0	2.0	-	0.8
34041.W0756	Stainless	Round	M 4	2.5	12.0	2.0	-	0.7
34041.W0758	Stainless	Round	M 4	2.5	16.0	2.0	-	1.2
34041.W0760	Stainless	Round	M 5	3.0	8.0	2.5	-	0.8
34041.W0761	Stainless	Round	M 5	3.0	10.0	2.5	-	1.1
34041.W0762	Stainless	Round	M 5	3.0	12.0	2.5	-	1.3
34041.W0763	Stainless	Round	M 5	3.0	16.0	2.5	-	1.5
34041.W0764	Stainless	Round	M 5	3.0	20.0	2.5	-	2.2
34041.W0765	Stainless	Round	M 5	3.0	25.0	2.5	-	2.8
34041.W0770	Stainless	Round	M 6	4.0	10.8	3.0	-	1.5
34041.W0772	Stainless	Round	M 6	4.0	12.8	3.0	-	1.9
34041.W0774	Stainless	Round	M 6	4.0	16.8	3.0	-	2.5
34041.W0775	Stainless	Round	M 6	4.0	20.8	3.0	-	3.3
34041.W0776	Stainless	Round	M 6	4.0	25.8	3.0	-	4.0
34041.W0780	Stainless	Round	M 8	5.5	11.2	4.0	-	2.6
34041.W0782	Stainless	Round	M 8	5.5	13.2	4.0	-	3.0
34041.W0783	Stainless	Round	M 8	5.5	17.2	4.0	-	4.2
34041.W0784	Stainless	Round	M 8	5.5	21.2	4.0	-	5.4
34041.W0785	Stainless	Round	M 8	5.5	26.2	4.0	-	6.9
34041.W0786	Stainless	Round	M 8	5.5	31.2	4.0	-	8.4
34041.W0790	Stainless	Round	M10	7.0	13.7	5.0	-	4.8
34041.W0792	Stainless	Round	M10	7.0	17.7	5.0	-	6.2
34041.W0793	Stainless	Round	M10	7.0	21.7	5.0	-	8.1
34041.W0794	Stainless	Round	M10	7.0	26.7	5.0	-	11.0
34041.W0795	Stainless	Round	M10	7.0	31.7	5.0	-	13.0
34041.W0796	Stainless	Round	M10	7.0	36.7	5.0	-	15.0
34041.W0798	Stainless	Round	M10	7.0	41.7	5.0	-	15.0
34041.W0800	Stainless	Round	M12	8.5	18.0	6.0	-	9.3
34041.W0802	Stainless	Round	M12	8.5	22.0	6.0	-	11.0
34041.W0803	Stainless	Round	M12	8.5	27.0	6.0	-	15.0
34041.W0804	Stainless	Round	M12	8.5	32.0	6.0	-	18.0
34041.W0806	Stainless	Round	M12	8.5	42.0	6.0	-	25.0
34041.W0808	Stainless	Round	M12	8.5	52.0	6.0	-	32.5
34041.W0810	Stainless	Round	M16	12.0	23.3	8.0	-	22.0
34041.W0812	Stainless	Round	M16	12.0	28.3	8.0	-	27.0
34041.W0814	Stainless	Round	M16	12.0	38.3	8.0	-	40.0
34041.W0816	Stainless	Round	M16	12.0	53.3	8.0	-	62.0

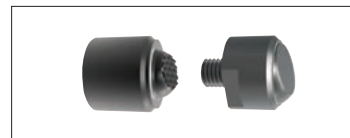
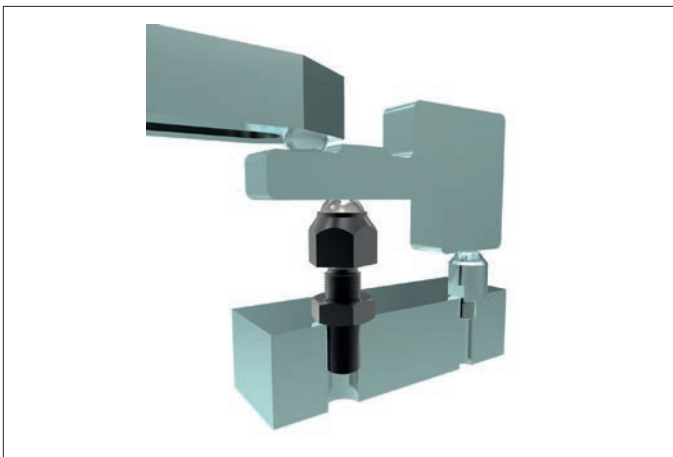


Clamping, supporting and aligning non-parallel and uneven surfaces is greatly simplified with the use of Wixroyd self-aligning pads and thrust screws. Available with ridged faces for improved holding of cast components, or plastic faces for holding more delicate parts.



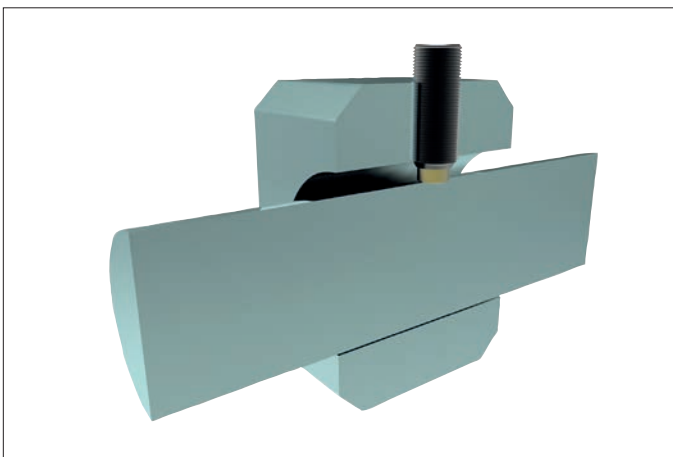
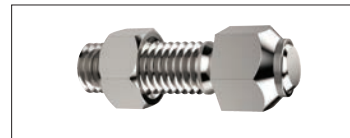
Self-aligning Thrust Screws

34000 to 34060 - Self-aligning thrust screws in sizes M6 to M24, ideal for clamping or supporting non-parallel surfaces.



Self-aligning Pads

34080 to 34121 - Self-aligning pads, both male and female mounting, ideal for accommodating variations between parts in fixtures.



Thrust Screws

34140 to 34160 - Thrust screws, with either brass or thermoplastic pads, are suitable for gentle clamping and positioning more delicate parts.



THRUST SCREWS

ov-W34000-A-T-W34160.2-AP0124-T-self-aligning-pads-and-thrust-screws-a-rmh - Updated - 28-10-2022