

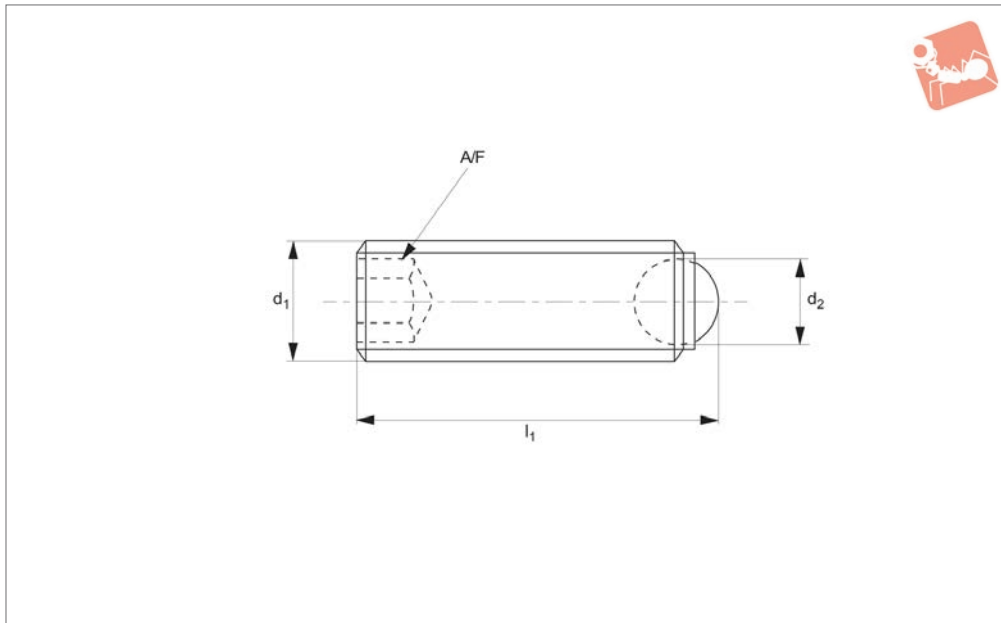


Thrust Screws - Ball Ended

headless - fine thread - round ball - metal



Thrust Screws



34051

THRUST SCREWS

Material

Steel type-

Body: steel, heat-treated, 1200 ±100 N/mm².

Ball: ball bearing steel, hardened.

Stainless steel type-

Body: stainless steel (AISI 303, 1.4305).

Ball: stainless steel, hardened.

Technical Notes

For clamping, tightening or supporting surfaces that are not exactly parallel.

These ball ended thrust screws have a fine thread, for precise adjustment.

Tips

Ball not secured against rotation. For other types see following pages.

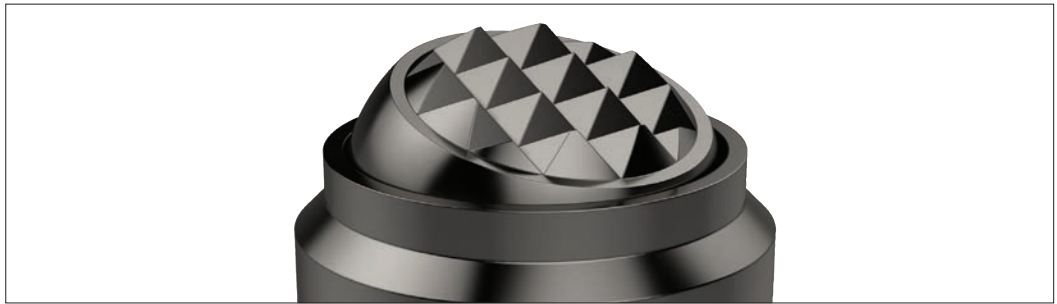
Important Notes

*Max. static load relates to steel version only.

Order No.	Material	Ball type	d ₁	d ₂	l ₁	A/F	Static load kN max.	Weight g
34051.W0030	Steel	Round	M 4x0,35	2.5	6.0	2	3.5	0.4
34051.W0032	Steel	Round	M 4x0,35	2.5	10.0	2	3.5	0.8
34051.W0040	Steel	Round	M 4x0,5	2.5	6.0	2	3.5	0.4
34051.W0042	Steel	Round	M 4x0,5	2.5	6.0	2	3.5	0.4
34051.W0052	Steel	Round	M 5x0,5	3.0	8.0	3	4.5	0.7
34051.W0054	Steel	Round	M 5x0,5	3.0	12.0	3	4.5	1.2
34051.W0062	Steel	Round	M 6x0,5	4.0	10.8	3	9.0	1.3
34051.W0063	Steel	Round	M 6x0,5	4.0	12.8	3	9.0	1.8
34051.W0064	Steel	Round	M 6x0,5	4.0	16.8	3	9.0	2.4
34051.W0065	Steel	Round	M 6x0,5	4.0	20.8	3	9.0	3.0
34051.W0066	Steel	Round	M 6x0,5	4.0	25.8	3	9.0	3.0
34051.W0081	Steel	Round	M 8x1,0	5.5	11.2	4	15.0	2.6
34051.W0084	Steel	Round	M 8x1,0	5.5	21.2	4	15.0	5.4
34051.W0730	Stainless	Round	M 4x0,35	2.5	6.0	2	-	0.4
34051.W0732	Stainless	Round	M 4x0,35	2.5	10.0	2	-	0.8
34051.W0740	Stainless	Round	M 4x0,5	2.5	6.0	2	-	0.4
34051.W0742	Stainless	Round	M 4x0,5	2.5	10.0	2	-	0.8
34051.W0760	Stainless	Round	M 5x0,5	3.0	8.0	3	-	0.7
34051.W0762	Stainless	Round	M 5x0,5	3.0	12.0	3	-	1.2
34051.W0770	Stainless	Round	M 6x0,5	4.0	10.8	3	-	1.3
34051.W0772	Stainless	Round	M 6x0,5	4.0	12.8	3	-	1.8
34051.W0774	Stainless	Round	M 6x0,5	4.0	16.8	3	-	2.4
34051.W0775	Stainless	Round	M 6x0,5	4.0	20.8	3	-	3.0
34051.W0776	Stainless	Round	M 6x0,5	4.0	25.8	3	-	3.0
34051.W0780	Stainless	Round	M 8x1,0	5.5	11.2	4	-	2.6
34051.W0784	Stainless	Round	M 8x1,0	5.5	21.2	4	-	5.4



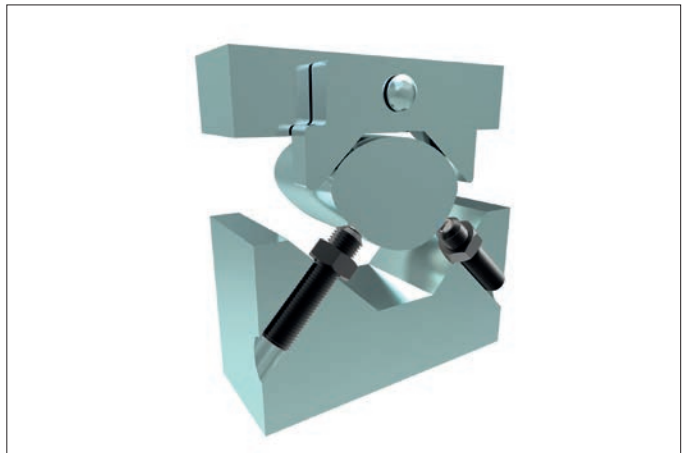
Clamping, supporting and aligning non-parallel and uneven surfaces is greatly simplified with the use of Wixroyd self-aligning pads and thrust screws. Available with ridged faces for improved holding of cast components, or plastic faces for holding more delicate parts.



THRUST SCREWS

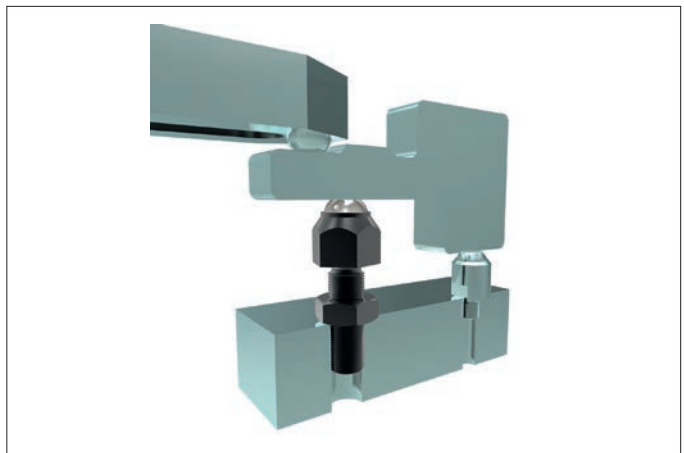
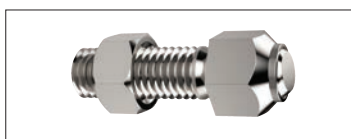
Self-aligning Thrust Screws

34000 to 34060 - Self-aligning thrust screws in sizes M6 to M24, ideal for clamping or supporting non-parallel surfaces.



Self-aligning Pads

34080 to 34121 - Self-aligning pads, both male and female mounting, ideal for accommodating variations between parts in fixtures.



Thrust Screws

34140 to 34160 - Thrust screws, with either brass or thermoplastic pads, are suitable for gentle clamping and positioning more delicate parts.

