

34140.1

THRUST SCREWS

Material

Screw: heat treated steel, 1200 +/-100 N/mm².

Pad: brass.

Technical Notes

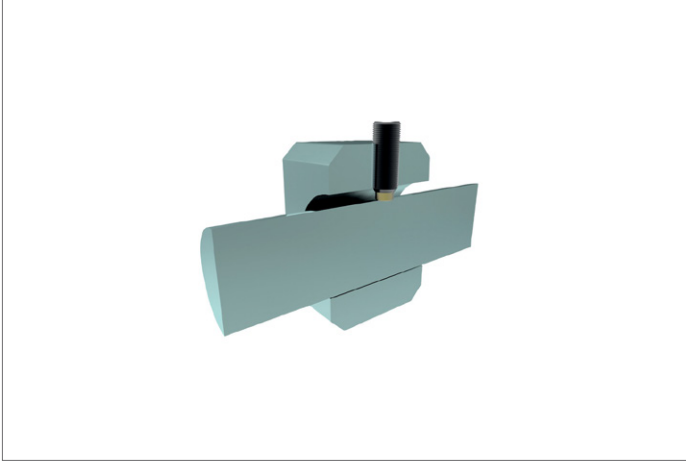
Brass pad pressed in. These thrust screws can be used for gentle clamping or pressing of threaded spindles, axles, shafts or

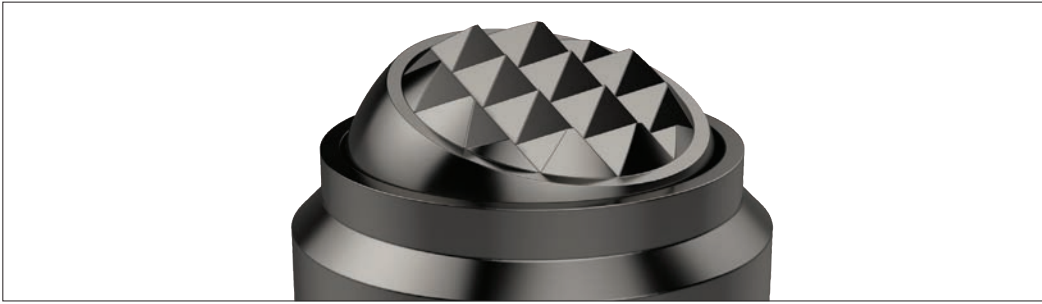
surface treated parts.

Order No.	Material	Type	d ₁	l ₁	l ₂	d ₂	A/F	Weight g
34140.W0034	Steel	Brass Pad	M 3	7.5	1.0	1.5	1.5	0.3
34140.W0036	Steel	Brass Pad	M 3	10.0	1.0	1.5	1.5	0.5
34140.W0042	Steel	Brass Pad	M 4	6.5	1.2	2.5	2.0	0.3
34140.W0044	Steel	Brass Pad	M 4	10.5	1.2	2.5	2.0	0.8
34140.W0046	Steel	Brass Pad	M 4	16.5	1.2	2.5	2.0	1.2
34140.W0052	Steel	Brass Pad	M 5	8.5	1.3	3.0	2.5	0.9
34140.W0054	Steel	Brass Pad	M 5	12.5	1.3	3.0	2.5	1.4
34140.W0056	Steel	Brass Pad	M 5	20.5	1.3	3.0	2.5	2.1
34140.W0062	Steel	Brass Pad	M 6	11.5	1.9	4.0	3.0	1.7
34140.W0064	Steel	Brass Pad	M 6	17.5	1.9	4.0	3.0	2.7
34140.W0066	Steel	Brass Pad	M 6	26.5	1.9	4.0	3.0	4.2
34140.W0080	Steel	Brass Pad	M 8	8.0	1.4	5.5	4.0	2.2
34140.W0082	Steel	Brass Pad	M 8	12.0	2.5	5.5	4.0	3.0
34140.W0086	Steel	Brass Pad	M 8	22.0	2.5	5.5	4.0	5.8
34140.W0088	Steel	Brass Pad	M 8	32.0	2.5	5.5	4.0	8.9
34140.W0102	Steel	Brass Pad	M10	14.0	2.7	7.0	5.0	5.6
34140.W0104	Steel	Brass Pad	M10	18.0	2.7	7.0	5.0	6.7
34140.W0106	Steel	Brass Pad	M10	27.0	2.7	7.0	5.0	11.0
34140.W0108	Steel	Brass Pad	M10	37.0	2.7	7.0	5.0	16.0
34140.W0122	Steel	Brass Pad	M12	18.5	3.4	8.5	6.0	10.0
34140.W0124	Steel	Brass Pad	M12	22.5	3.4	8.5	6.0	12.0
34140.W0126	Steel	Brass Pad	M12	32.5	3.4	8.5	6.0	20.0
34140.W0128	Steel	Brass Pad	M12	42.5	3.4	8.5	6.0	29.0



THRUST SCREWS



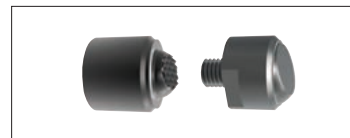
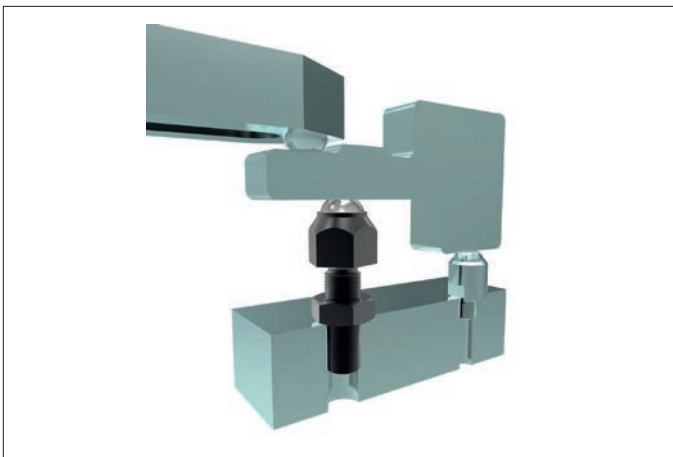


Clamping, supporting and aligning non-parallel and uneven surfaces is greatly simplified with the use of Wixroyd self-aligning pads and thrust screws. Available with ridged faces for improved holding of cast components, or plastic faces for holding more delicate parts.



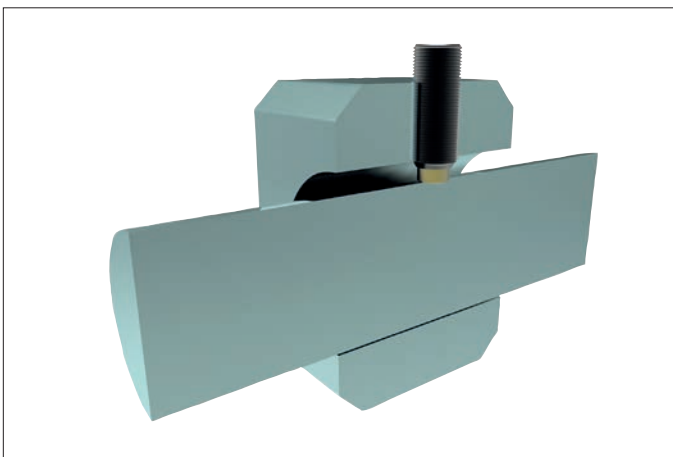
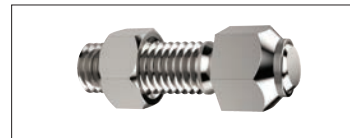
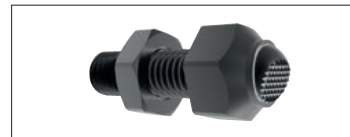
Self-aligning Thrust Screws

34000 to 34060 - Self-aligning thrust screws in sizes M6 to M24, ideal for clamping or supporting non-parallel surfaces.



Self-aligning Pads

34080 to 34121 - Self-aligning pads, both male and female mounting, ideal for accommodating variations between parts in fixtures.



Thrust Screws

34140 to 34160 - Thrust screws, with either brass or thermoplastic pads, are suitable for gentle clamping and positioning more delicate parts.



THRUST SCREWS

ov-W34000-A-T-W34160.2-AP0124-T-self-aligning-pads-and-thrust-screws-a-rmh - Updated - 28-10-2022