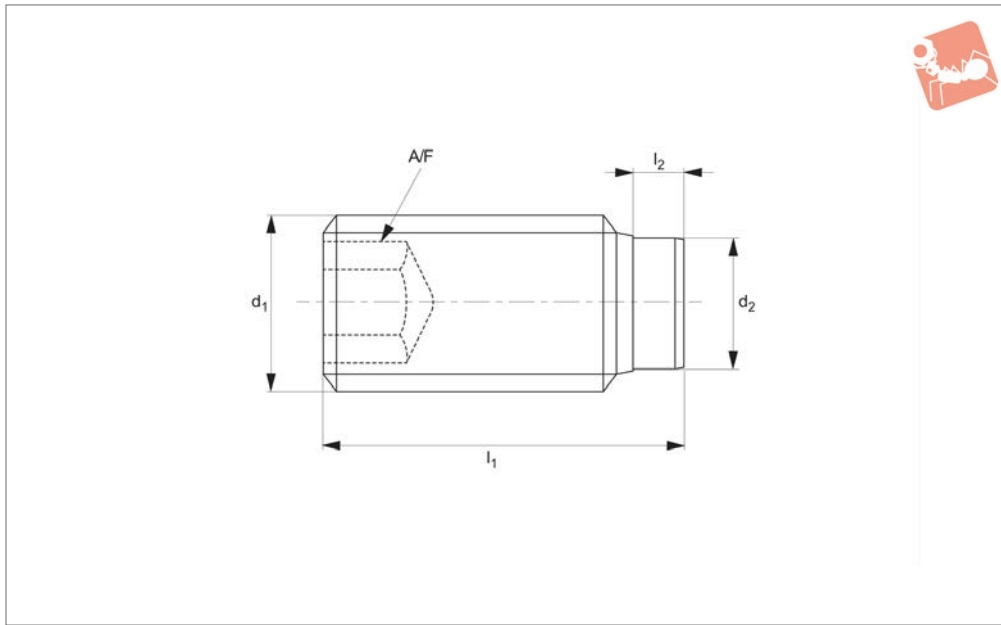




Thrust Screws - Plastic Pad steel



Thrust Screws



34160.1

THRUST SCREWS

Material

Screw: heat treated steel, 1200 +/-100 N/mm².

Pad: thermoplastic POM, white.

Technical Notes

Thermoplastic bolt pressed in.

For gentle clamping or pressing of thread spindles, axles, shafts and surface treated

parts.

Order No.	Material	Type	d ₁	l ₁	l ₂	d ₂	A/F	Weight g
34160.W0242	Steel	Thermo Pad	M 4	7.0	1.0	2.0	2.0	0.3
34160.W0243	Steel	Thermo Pad	M 4	9.0	1.0	2.0	2.0	0.4
34160.W0244	Steel	Thermo Pad	M 4	11.0	1.0	2.0	2.0	0.6
34160.W0245	Steel	Thermo Pad	M 4	13.0	1.0	2.0	2.0	0.7
34160.W0246	Steel	Thermo Pad	M 4	17.0	1.0	2.0	2.0	1.0
34160.W0247	Steel	Thermo Pad	M 4	21.0	1.0	2.0	2.0	1.3
34160.W0252	Steel	Thermo Pad	M 5	9.0	1.0	3.0	2.5	0.7
34160.W0253	Steel	Thermo Pad	M 5	11.0	1.0	3.0	2.5	0.8
34160.W0254	Steel	Thermo Pad	M 5	13.0	1.0	3.0	2.5	1.0
34160.W0255	Steel	Thermo Pad	M 5	17.0	1.0	3.0	2.5	1.2
34160.W0256	Steel	Thermo Pad	M 5	21.0	1.0	3.0	2.5	2.0
34160.W0257	Steel	Thermo Pad	M 5	26.0	1.0	3.0	2.5	2.6
34160.W0262	Steel	Thermo Pad	M 6	11.3	1.3	3.5	3.0	1.2
34160.W0263	Steel	Thermo Pad	M 6	13.3	1.3	3.5	3.0	1.5
34160.W0264	Steel	Thermo Pad	M 6	17.3	1.3	3.5	3.0	2.2
34160.W0265	Steel	Thermo Pad	M 6	21.3	1.3	3.5	3.0	2.8
34160.W0266	Steel	Thermo Pad	M 6	26.3	1.3	3.5	3.0	3.8
34160.W0267	Steel	Thermo Pad	M 6	33.3	1.3	3.5	3.0	4.9
34160.W0268	Steel	Thermo Pad	M 6	41.3	1.3	3.5	3.0	6.3
34160.W0270	Steel	Thermo Pad	M 6	51.3	1.3	3.5	3.0	7.9
34160.W0282	Steel	Thermo Pad	M 8	13.6	1.6	5.0	4.0	2.6
34160.W0283	Steel	Thermo Pad	M 8	17.6	1.6	5.0	4.0	3.6
34160.W0284	Steel	Thermo Pad	M 8	21.6	1.6	5.0	4.0	5.0
34160.W0285	Steel	Thermo Pad	M 8	26.6	1.6	5.0	4.0	6.4
34160.W0286	Steel	Thermo Pad	M 8	33.6	1.6	5.0	4.0	8.5
34160.W0287	Steel	Thermo Pad	M 8	41.6	1.6	5.0	4.0	11.0
34160.W0288	Steel	Thermo Pad	M 8	51.6	1.6	5.0	4.0	14.0
34160.W0290	Steel	Thermo Pad	M 8	64.6	1.6	5.0	4.0	18.0
34160.W0302	Steel	Thermo Pad	M10	17.9	1.9	6.5	5.0	5.2
34160.W0303	Steel	Thermo Pad	M10	21.9	1.9	6.5	5.0	7.1
34160.W0304	Steel	Thermo Pad	M10	26.9	1.9	6.5	5.0	9.9
34160.W0305	Steel	Thermo Pad	M10	33.9	1.9	6.5	5.0	13.0
34160.W0306	Steel	Thermo Pad	M10	41.9	1.9	6.5	5.0	17.0
34160.W0307	Steel	Thermo Pad	M10	51.9	1.9	6.5	5.0	22.0



Order No.	Material	Type	d ₁	l ₁	l ₂	d ₂	A/F	Weight g
34160.W0308	Steel	Thermo Pad	M10	64.9	1.9	6.5	5.0	28.0
34160.W0310	Steel	Thermo Pad	M10	81.9	1.9	6.5	5.0	36.0
34160.W0322	Steel	Thermo Pad	M12	22.1	2.1	8.0	6.0	9.0
34160.W0323	Steel	Thermo Pad	M12	27.1	2.1	8.0	6.0	10.0
34160.W0324	Steel	Thermo Pad	M12	34.1	2.1	8.0	6.0	19.0
34160.W0325	Steel	Thermo Pad	M12	42.1	2.1	8.0	6.0	24.0
34160.W0326	Steel	Thermo Pad	M12	52.1	2.1	8.0	6.0	31.0
34160.W0327	Steel	Thermo Pad	M12	65.1	2.1	8.0	6.0	40.0
34160.W0330	Steel	Thermo Pad	M12	82.1	2.1	8.0	6.0	51.0
34160.W0332	Steel	Thermo Pad	M12	102.1	2.1	8.0	6.0	66.0