

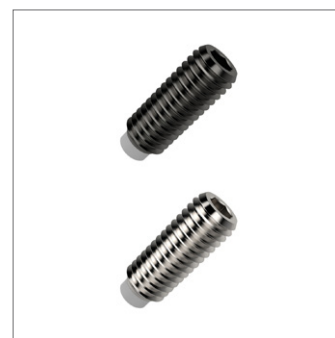
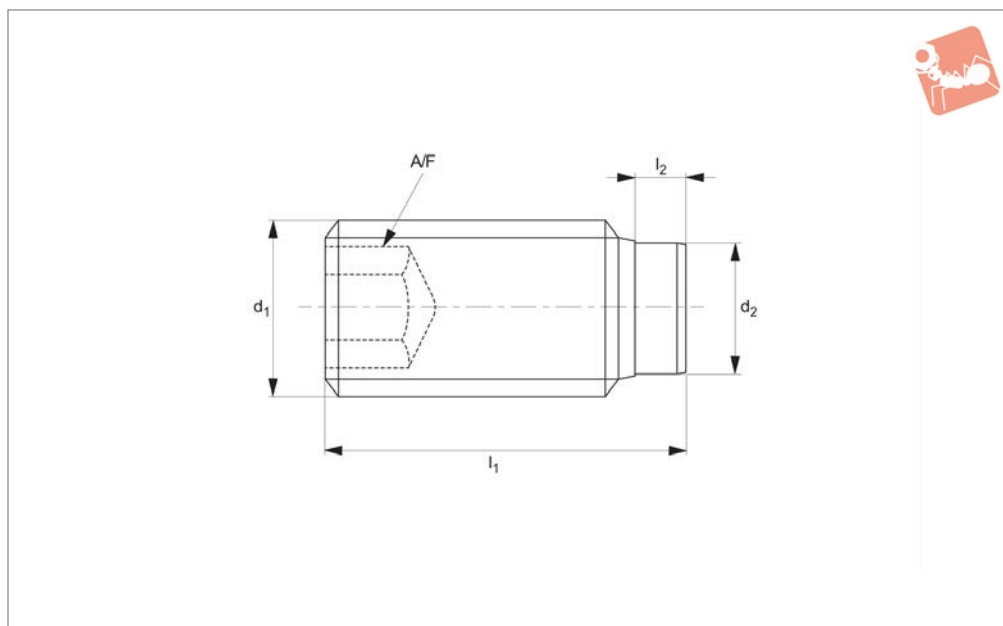


Thrust Screws - Plastic Pad

stainless steel



Thrust Screws



34160.2

THRUST SCREWS

Material

Screw: stainless steel 1.4305 (AISI 303).
Pad: thermoplastic POM, white.

Technical Notes

Thermoplastic bolt pressed in.
For gentle clamping or pressing of thread

spindles, axles, shafts and surface treated parts.

Order No.	Material	Type	d ₁	l ₁	l ₂	d ₂	A/F	Weight g
34160.W0632	Stainless	Thermo Pad	M 3	3.8	0.8	1.5	1.5	0.2
34160.W0634	Stainless	Thermo Pad	M 3	5.8	0.8	1.5	1.5	0.3
34160.W0636	Stainless	Thermo Pad	M 3	8.8	0.8	1.5	1.5	0.4
34160.W0638	Stainless	Thermo Pad	M 3	10.8	0.8	1.5	1.5	0.5
34160.W0642	Stainless	Thermo Pad	M 4	7.0	1.0	2.0	2.0	0.3
34160.W0643	Stainless	Thermo Pad	M 4	9.0	1.0	2.0	2.0	0.4
34160.W0644	Stainless	Thermo Pad	M 4	11.0	1.0	2.0	2.0	0.6
34160.W0645	Stainless	Thermo Pad	M 4	13.0	1.0	2.0	2.0	0.7
34160.W0646	Stainless	Thermo Pad	M 4	17.0	1.0	2.0	2.0	1.0
34160.W0652	Stainless	Thermo Pad	M 5	9.0	1.0	3.0	2.5	0.7
34160.W0653	Stainless	Thermo Pad	M 5	11.0	1.0	3.0	2.5	0.8
34160.W0654	Stainless	Thermo Pad	M 5	13.0	1.0	3.0	2.5	1.0
34160.W0655	Stainless	Thermo Pad	M 5	17.0	1.0	3.0	2.5	1.2
34160.W0656	Stainless	Thermo Pad	M 5	21.0	1.0	3.0	2.5	2.0
34160.W0662	Stainless	Thermo Pad	M 6	11.3	1.3	3.5	3.0	1.2
34160.W0663	Stainless	Thermo Pad	M 6	13.3	1.3	3.5	3.0	1.5
34160.W0664	Stainless	Thermo Pad	M 6	17.3	1.3	3.5	3.0	2.2
34160.W0665	Stainless	Thermo Pad	M 6	21.3	1.3	3.5	3.0	2.8
34160.W0666	Stainless	Thermo Pad	M 6	26.3	1.3	3.5	3.0	3.8
34160.W0667	Stainless	Thermo Pad	M 6	33.3	1.3	3.5	3.0	4.9
34160.W0682	Stainless	Thermo Pad	M 8	13.6	1.6	5.0	4.0	2.6
34160.W0683	Stainless	Thermo Pad	M 8	17.6	1.6	5.0	4.0	3.6
34160.W0684	Stainless	Thermo Pad	M 8	21.6	1.6	5.0	4.0	5.0
34160.W0685	Stainless	Thermo Pad	M 8	26.6	1.6	5.0	4.0	6.4
34160.W0686	Stainless	Thermo Pad	M 8	33.6	1.6	5.0	4.0	8.5
34160.W0687	Stainless	Thermo Pad	M 8	41.6	1.6	5.0	4.0	11.0
34160.W0702	Stainless	Thermo Pad	M10	17.9	1.9	6.5	5.0	5.2
34160.W0703	Stainless	Thermo Pad	M10	21.9	1.9	6.5	5.0	7.1
34160.W0704	Stainless	Thermo Pad	M10	26.9	1.9	6.5	5.0	9.9
34160.W0705	Stainless	Thermo Pad	M10	33.9	1.9	6.5	5.0	13.0
34160.W0706	Stainless	Thermo Pad	M10	41.9	1.9	6.5	5.0	17.0
34160.W0707	Stainless	Thermo Pad	M10	51.9	1.9	6.5	5.0	22.0
34160.W0722	Stainless	Thermo Pad	M12	22.1	2.1	8.0	6.0	9.0
34160.W0723	Stainless	Thermo Pad	M12	27.1	2.1	8.0	6.0	10.0



Order No.	Material	Type	d ₁	l ₁	l ₂	d ₂	A/F	Weight g
34160.W0724	Stainless	Thermo Pad	M12	34.1	2.1	8.0	6.0	19.0
34160.W0725	Stainless	Thermo Pad	M12	42.1	2.1	8.0	6.0	24.0
34160.W0726	Stainless	Thermo Pad	M12	52.1	2.1	8.0	6.0	31.0
34160.W0727	Stainless	Thermo Pad	M12	65.1	2.1	8.0	6.0	40.0