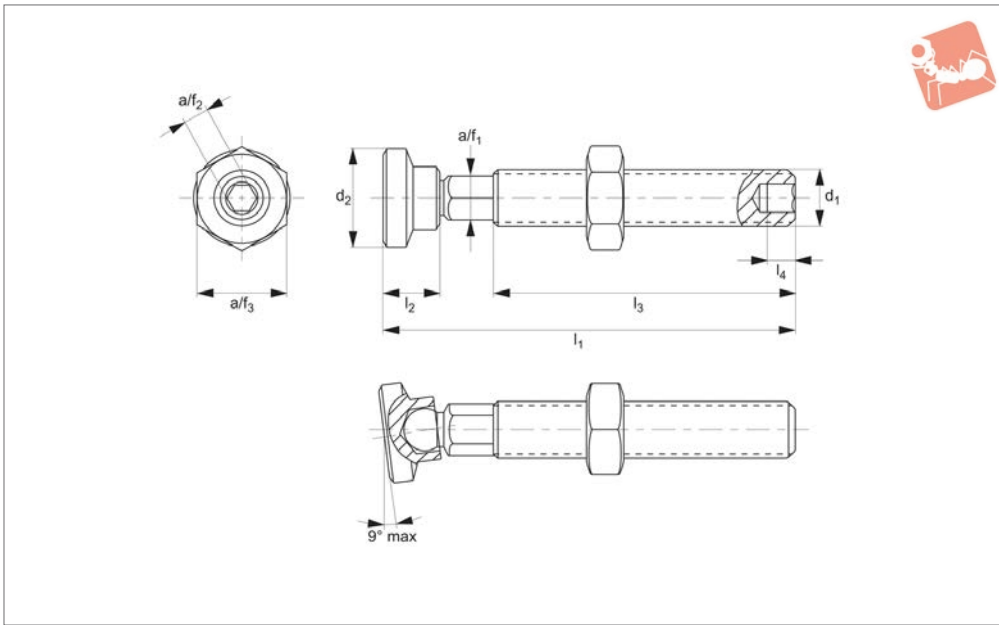
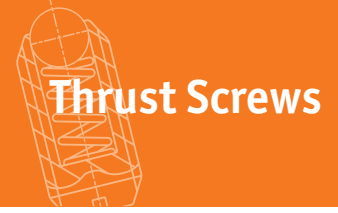




Thrust Pads - Self Levelling plastic



34544

THRUST SCREWS

Material

Ball: stainless steel 1.4305
Nut: stainless steel A2

Pad: Plastic (PEEK), blue

suitable for non-parallel surfaces.

Tips

For use on high quality surfaces, design is

Order No.	d ₁	d ₂	l ₁	l ₂	l ₃	l ₄	A/F ₁	A/F ₂	A/F ₃	Weight g
34544.W0005	M 5	8.5	37.0	5.0	27.0	2.5	4.0	2.5	8	6
34544.W0006	M 6	8.5	44.0	5.0	31.5	3.0	4.5	3.0	10	9
34544.W0008	M 8	12.5	63.3	8.7	49.0	4.0	6.0	4.0	13	25
34544.W0010	M10	12.5	73.3	8.7	68.9	5.0	8.0	5.0	17	48
34544.W0012	M12	16.8	84.4	12.0	64.3	6.0	9.0	6.0	19	74
34544.W0016	M16	16.8	84.4	12.0	64.0	8.0	11.0	8.0	24	125