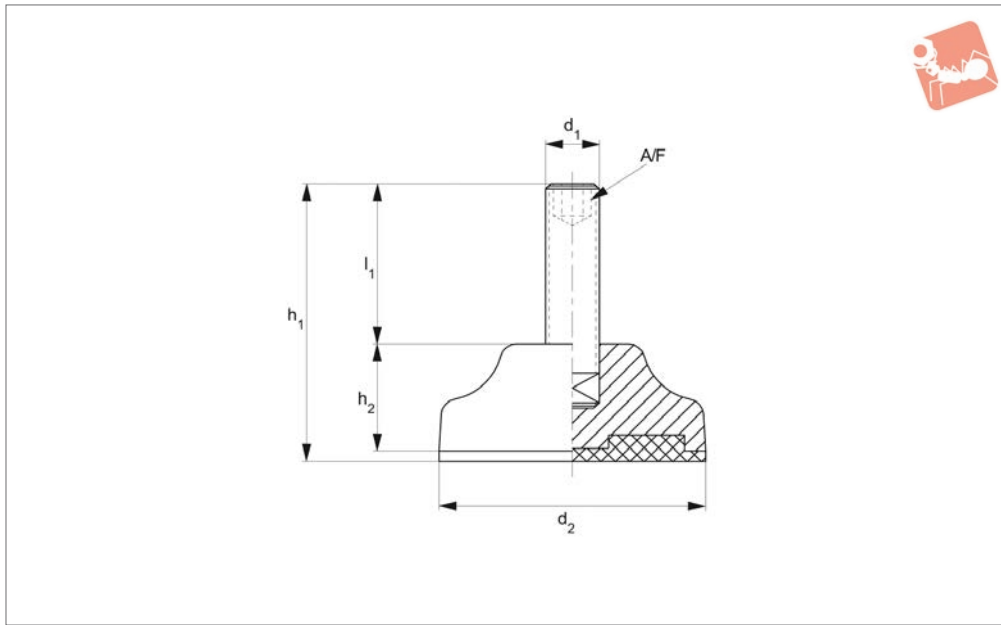




# Fixed Feet

steel with hex socket

# Levelling Feet



**34611**

LEVELLING FEET

### Material

Pad: polyamide reinforced by fibre glass with anti-slip pad.  
Bolt: steel (C40)

### Technical Notes

Load values refer to static loads, located at half the screw height.  
When vibrations or dynamic loads are

present these values should be reduced.

| Order No.   | d <sub>1</sub> | d <sub>2</sub> | l  | h <sub>1</sub> | h <sub>2</sub> | A/F | Load kN max. |
|-------------|----------------|----------------|----|----------------|----------------|-----|--------------|
| 34611.W0800 | M 8            | 40             | 25 | 44             | 19             | 4   | 5            |
| 34611.W0801 | M 8            | 40             | 50 | 69             | 19             | 4   | 5            |
| 34611.W0802 | M 8            | 50             | 25 | 48             | 23             | 4   | 6            |
| 34611.W0803 | M 8            | 50             | 50 | 73             | 23             | 4   | 6            |
| 34611.W1000 | M10            | 40             | 25 | 44             | 19             | 5   | 5            |
| 34611.W1001 | M10            | 40             | 50 | 69             | 19             | 5   | 5            |
| 34611.W1002 | M10            | 50             | 25 | 48             | 23             | 5   | 6            |
| 34611.W1003 | M10            | 50             | 50 | 73             | 23             | 5   | 6            |