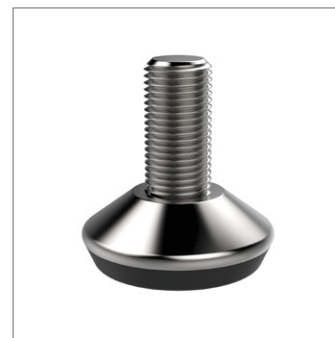
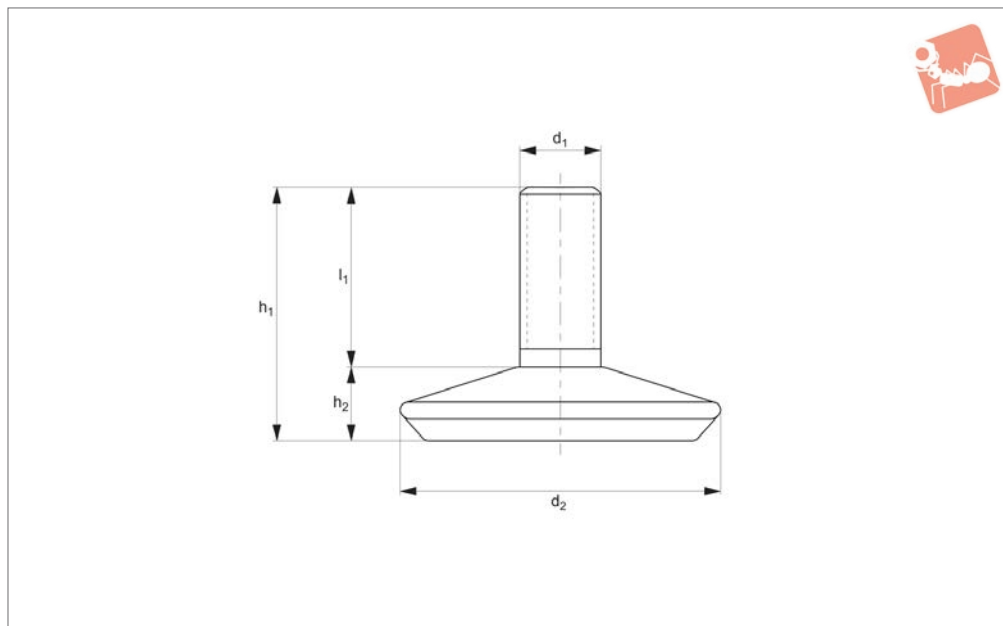




Mini Levelling Feet

steel with plastic base

Levelling Feet



34641

LEVELLING FEET

Material

Galvanised steel stud with plastic base, with chromate case.

Technical Notes

When vibrations or dynamic loads are present these values should be reduced.

Order No.	d ₁	d ₂	l	h ₁	h ₂	Static load N
34641.W0600	M 6	20	13	20.0	7.0	1000
34641.W0800	M 8	25	20	30.0	10.0	1500
34641.W0801	M 8	30	20	31.5	11.5	2000
34641.W0802	M 8	40	25	38.5	13.5	2800
34641.W1000	M10	25	20	30.0	10.0	1500
34641.W1001	M10	30	20	31.5	11.5	2000
34641.W1002	M10	40	25	38.5	13.5	2800
34641.W1003	M10	50	30	45.5	15.5	3800
34641.W1200	M12	50	30	50.5	15.5	3800



A Range of features to suit your application

Product selection

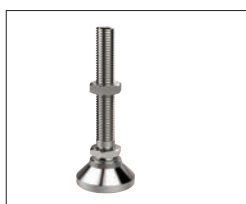
To ensure you select the most suitable levelling feet for your application consider the following questions:

- Tilting or fixed?
- Material required - steel, stainless or plastic?
- Load carrying capacity - light, medium or heavy duty?
(Review the quoted load capacities in the individual product tables).
- Bolt down feature required?
- Threaded or plastic insert required for mounting?
- Optional extras: hygiene seal, rubber pad, (subject to minimum quantity and selected model).

Key types



Fixed feet



Articulating levelling feet



Machine mounts



Fulcrum screw

Available features



Articulation



Standard nylon base



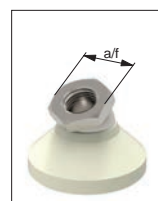
Anti-slip base



Bolt down base



Hygienic seal



Hex for easy installation

Materials



Steel thread - Nylon base



Stainless thread - Nylon base



Steel thread - Steel base



Stainless thread - Stainless base

Mounting inserts



Weldable insert



Hollow section insert



Hollow section bushed insert

Additional technical information



▶ For applications under greater loads and requiring increased precision of adjustment see our range of Precision Height Adjusters.

▶ For applications exposed to extreme vibrations see our range of Anti-Vibration Mounts.

