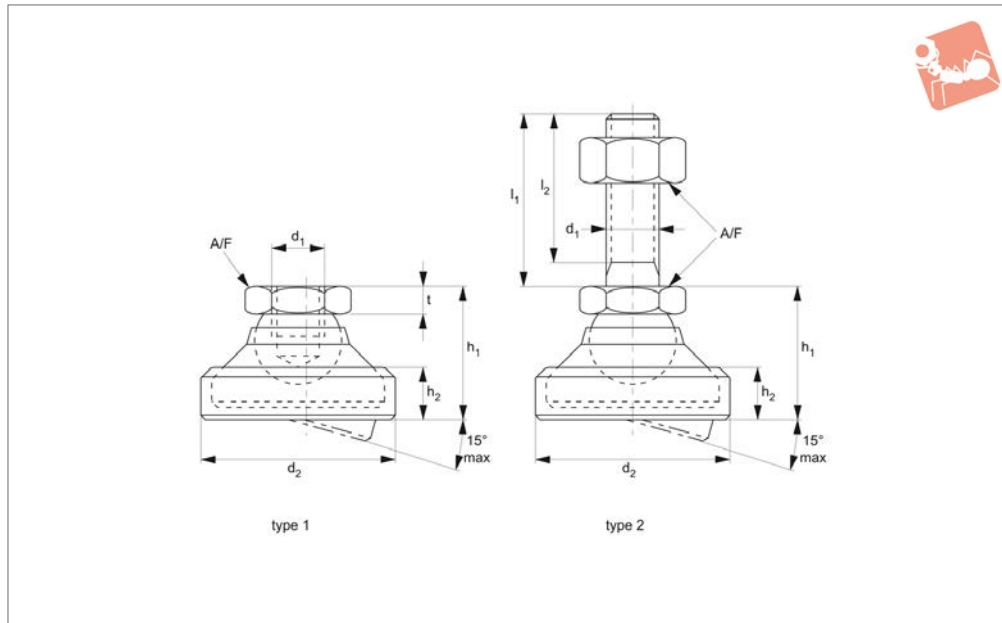




# Levelling Feet - Non Slip pad and bolt - steel or stainless

# Levelling Feet



## 34700

LEVELLING FEET

### Material

#### Steel type

Ball: steel heat-treated, tempered, blackened.

Ball with bolt: heat-treated steel, tempered, blackened.

Lock nut: Steel blackened, ISO 4032/DIN 934 (M10, M12 only).

Pad: heat-treated steel, tempered,

blackened.

#### Stainless type

Pad: stainless steel 1.4305 (AISI 303).

Ball: stainless steel 1.4305 (AISI 303).

Ball with bolt: stainless steel 1.4305 (AISI 303).

Lock nut: Stainless steel A2, ISO 4032/DIN 934 (M10, M12 only).

Cap: Black rubber.

### Tips

To be used as feet and thrust pads. Used for levelling up to 15° on surface. Rubber cap prevents reduces slipping.

Also used:

34761 - Levelling Feet - thermoplastic, non slip.

Order No.	Material	Type	d <sub>1</sub>	d <sub>2</sub>	h <sub>1</sub>	h <sub>2</sub>	l <sub>1</sub>	l <sub>2</sub>	t <sub>1</sub>	A/F	Static load kN max.	Weight g
34700.W1006	Steel	Pad	M 6	20	14	2.5	-	-	5.0	10	10	15
34700.W1008	Steel	Pad	M 8	25	18	4.0	-	-	7.0	13	18	33
34700.W1010	Steel	Pad	M10	32	22	5.0	-	-	9.0	17	20	66
34700.W1012	Steel	Pad	M12	40	26	6.0	-	-	11.0	19	35	112
34700.W1016	Steel	Pad	M16	50	32	7.0	-	-	13.5	24	45	220
34700.W1020	Steel	Pad	M20	60	42	8.0	-	-	17.0	30	55	413
34700.W1024	Steel	Pad	M24	60	45	9.5	-	-	19.0	36	65	462
34700.W1410	Steel	Pad and Bolt	M 6	20	14	2.5	60	57.0	-	10	10	29
34700.W1422	Steel	Pad and Bolt	M 8	25	18	4.0	80	76.0	-	13	18	66
34700.W1438	Steel	Pad and Bolt	M10	32	22	5.0	100	95.5	-	17	20	133
34700.W1442	Steel	Pad and Bolt	M10	32	22	5.0	150	145.5	-	17	20	159
34700.W1452	Steel	Pad and Bolt	M12	40	26	6.0	100	94.5	-	19	35	211
34700.W1456	Steel	Pad and Bolt	M12	40	26	6.0	150	144.5	-	19	35	247
34700.W1468	Steel	Pad and Bolt	M16	50	32	7.0	100	94.0	-	24	45	407
34700.W1472	Steel	Pad and Bolt	M16	50	32	7.0	200	194.0	-	24	45	540
34700.W1482	Steel	Pad and Bolt	M20	60	42	8.0	100	92.5	-	30	55	722
34700.W1488	Steel	Pad and Bolt	M20	60	42	8.0	200	192.5	-	30	55	924
34700.W1495	Steel	Pad and Bolt	M24	60	45	9.5	100	91.0	-	36	65	935
34700.W1498	Steel	Pad and Bolt	M24	60	45	9.5	200	191.0	-	36	65	1231
34700.W1206	Stainless Steel	Pad	M 6	20	14	2.5	-	-	5.0	10	8	15
34700.W1208	Stainless Steel	Pad	M 8	25	18	4.0	-	-	7.0	13	14	33
34700.W1210	Stainless Steel	Pad	M10	32	22	5.0	-	-	9.0	17	16	66
34700.W1212	Stainless Steel	Pad	M12	40	26	6.0	-	-	11.0	19	28	112
34700.W1216	Stainless Steel	Pad	M16	50	32	7.0	-	-	13.5	24	36	220
34700.W1220	Stainless Steel	Pad	M20	60	42	8.0	-	-	17.0	30	44	413
34700.W1224	Stainless Steel	Pad	M24	60	45	9.5	-	-	19.0	36	52	462
34700.W1610	Stainless Steel	Pad and Bolt	M 6	20	14	2.5	60	57.0	-	10	8	29



Order No.	Material	Type	d <sub>1</sub>	d <sub>2</sub>	h <sub>1</sub>	h <sub>2</sub>	l <sub>1</sub>	l <sub>2</sub>	t <sub>1</sub>	A/F	Static load kN max.	Weight g
<b>34700.W1622</b>	Stainless Steel	Pad and Bolt	M 8	25	18	4.0	80	76.0	-	13	14	66
<b>34700.W1638</b>	Stainless Steel	Pad and Bolt	M10	32	22	5.0	100	95.5	-	17	16	133
<b>34700.W1642</b>	Stainless Steel	Pad and Bolt	M10	32	22	5.0	150	145.5	-	17	16	159
<b>34700.W1652</b>	Stainless Steel	Pad and Bolt	M12	40	26	6.0	100	94.5	-	19	28	211
<b>34700.W1656</b>	Stainless Steel	Pad and Bolt	M12	40	26	6.0	150	144.5	-	19	28	247
<b>34700.W1668</b>	Stainless Steel	Pad and Bolt	M16	50	32	7.0	100	94.0	-	24	36	407
<b>34700.W1672</b>	Stainless Steel	Pad and Bolt	M16	50	32	7.0	200	194.0	-	24	36	540
<b>34700.W1682</b>	Stainless Steel	Pad and Bolt	M20	60	42	8.0	100	92.5	-	30	44	722
<b>34700.W1688</b>	Stainless Steel	Pad and Bolt	M20	60	42	8.0	200	192.5	-	30	44	924
<b>34700.W1695</b>	Stainless Steel	Pad and Bolt	M24	60	45	9.5	100	91.0	-	36	52	935
<b>34700.W1698</b>	Stainless Steel	Pad and Bolt	M24	60	45	9.5	200	191.0	-	36	52	1231