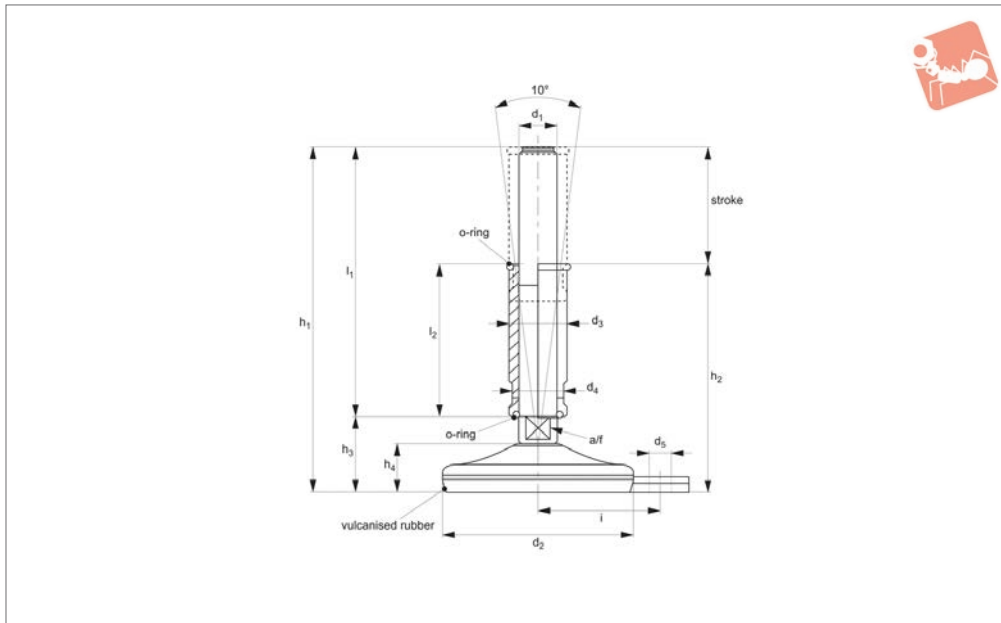




Hygienic Levelling Feet - Bolt Down

stainless steel, with rubber pad

Levelling Feet



34775

LEVELLING FEET

Material

Base: stainless steel 304 with vulcanized rubber pad.

Screw: stainless steel 304.

Technical Notes

Nut shroud is used to cover the exposed threaded section of the levelling feet, and

hence prevents areas of contamination. In addition the rubber seal between base and bolt adds to the ease of cleaning.

Load values shown are for static loads calculated at the half of the screw length. In the presence of vibrations or dynamic

loads these values should be reduced.

Tips

Specifically designed for food & drink, pharmaceutical & clean room applications where hygiene is of prime importance and ingress of materials is to be minimised.

Order No.	Stroke	d ₁	d ₂	d ₃	d ₄	l ₁	l ₂	h ₁	h ₂	h ₃	h ₄	i	A/F	Static load kN
34775.W1600	40mm	M16	60	24	20	125	65	160	95	35	22	45	17	7
34775.W1601	65mm	M16	60	24	20	150	85	185	120	35	22	45	17	7
34775.W1602	40mm	M16	80	24	20	125	65	163	98	38	25	54	17	10
34775.W1603	65mm	M16	80	24	20	150	85	188	123	38	25	54	17	10
34775.W1604	65mm	M16	100	24	20	150	85	193	128	43	30	69	17	15
34775.W2000	65mm	M20	60	30	26	150	85	185	120	35	22	45	17	7
34775.W2001	65mm	M20	80	30	26	150	85	188	123	38	25	54	17	10
34775.W2002	65mm	M20	80	30	26	200	85	238	173	38	25	54	17	10
34775.W2003	65mm	M20	100	30	26	150	85	193	128	43	30	69	17	15
34775.W2004	65mm	M20	100	30	26	200	85	243	178	43	30	69	17	15
34775.W2400	65mm	M24	100	35	30	150	85	194	129	44	30	69	20	15
34775.W2401	65mm	M24	100	35	30	200	85	244	179	44	30	69	20	15
34775.W3000	65mm	M30	100	42	36	150	85	195	130	45	30	69	26	15
34775.W3001	65mm	M30	100	42	36	200	85	245	180	45	30	69	26	15