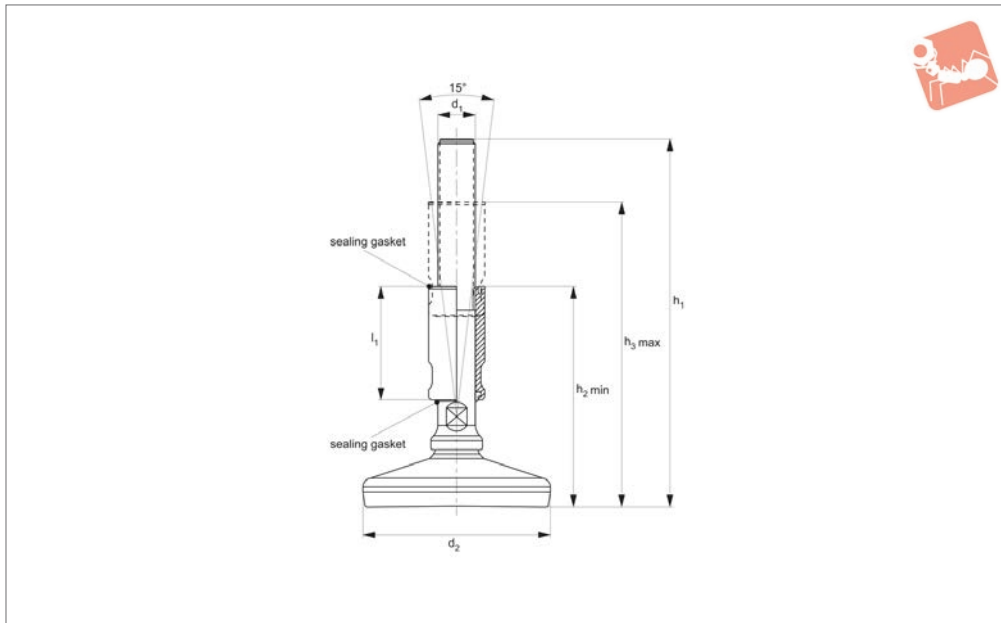




Levelling Feet - 3A Standard

hygienic line, stainless steel

Levelling Feet



34778

LEVELLING FEET

Material

Stainless steel AISI 304.
Blue gasket: silicone.
Pad: vulcanised nitrile rubber.

Technical Notes

Nut shroud is used to cover the exposed threaded section of the machine mount,

and hence prevents contamination. Use a spanner to adjust this shroud height h_2 and h_3 , using spanner size detailed in the table.

Tips

Made to the high „3A“ standard. This ensures it meets the high standards

required for use in food, beverage, pharmaceutical and medical applications. Hygienically designed for effective and easy cleaning, corrosion resistant, non-toxic. Design precludes contamination by dirt, food particles and organic matter.

Order No.	d_1	d_2	l_1	h_1	For spanner size	Shroud adj. h_2 min.	Shroud adj. h_3 max.	Static load kN max.
34778.W1620	M16	120	60	200	13	121	166	30
34778.W1625	M16	120	85	250	13	146	216	30
34778.W2020	M20	120	60	200	17	121	166	30
34778.W2025	M20	120	85	250	17	146	216	30
34778.W2420	M24	120	60	200	20	121	166	30
34778.W2425	M24	120	85	250	20	146	216	30