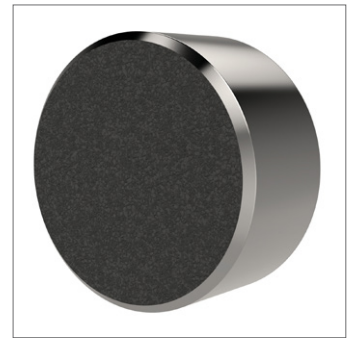
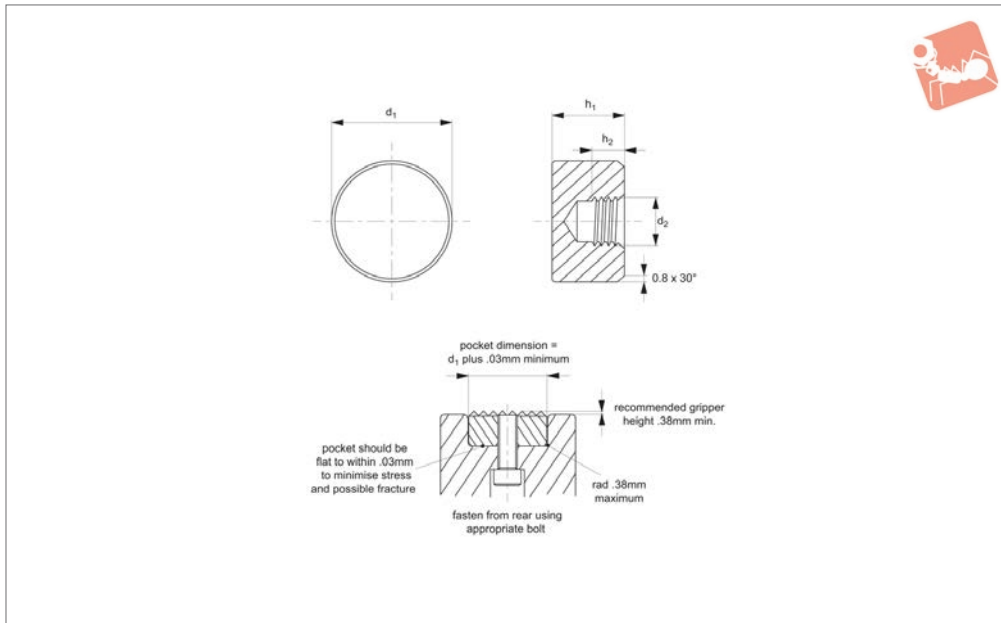




# Gripping Pads - Diamond Coated

stainless - round - rear fixing

## Grippers & Rest Pads



**35630**

GRIPPERS & REST PADS

### Material

Stainless steel (AISI 630, precipitation-hardened), heat treated to HRC 43-46.

### Technical Notes

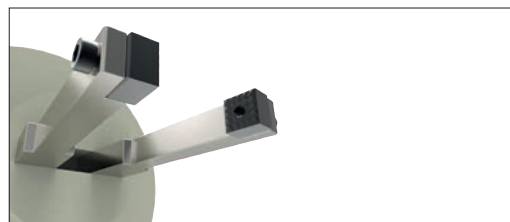
Permanently fused diamond powder

creates an abrasive surface comparable to 100 grit abrasive value. Ideal for holding smooth or slippery components with a minimum of clamping pressure, and minimal surface marking. Excellent wear resistance.

Order No.	$d_1$ +0.00 -0.13	$d_2$	$h_1$ +0.00 -0.13	$h_2$
35630.W0841	8	M 4x0,7	10	5.0
35630.W0842	8	M 4x0,7	12	6.4
35630.W1051	10	M 5x0,8	10	5.0
35630.W1052	10	M 5x0,8	12	6.4
35630.W1251	12	M 5x0,8	10	5.0
35630.W1252	12	M 5x0,8	12	6.4
35630.W1661	16	M 6x1,0	10	5.0
35630.W1662	16	M 6x1,0	12	6.4
35630.W2061	20	M 6x1,0	10	5.0
35630.W2062	20	M 6x1,0	12	6.4
35630.W2561	25	M 6x1,0	10	5.0
35630.W2562	25	M 6x1,0	12	6.4



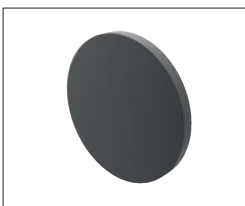
Grippers enhance workholding for multiple machining operations.



Grippers increase handling capability.

## Pads and Gripper Options

### Pads



#### Solid Carbide

High impact carbide pads, can be brazed or bonded into place.



#### Carbide Tipped

Constructed with high impact carbide pad brazed to a heat treated alloy steel body. Mount via tapped hole or a flat on the outside diameter for set screw mounting.



#### Hardened Steel

Made from 8620 steel, carburized and hardened to Rc 58/60 1.2mm with black oxide finish. Mount via tapped or counter bored hole.



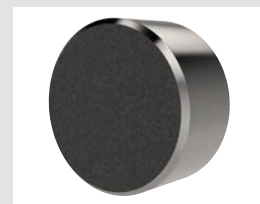
#### Non-marking Thermoplast

Made from white thermoplast. Mount via tapped or counter bored hole.



#### Stainless Steel

Pad from 17-4 stainless steel, hardened to Rc 43/46. Mount via tapped or counter bored hole.



#### Abrasive Diamond Surface

Abrasive surface permanently fused to a 17-4 stainless steel pad, hardened to Rc 43/46. The surface texture is comparable to a 100 grit abrasive. Mount via tapped or counter bored hole.

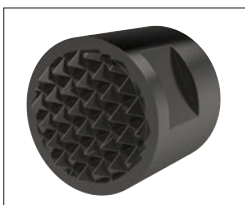


#### Soft Urethane Surface

Urethane surface is permanently bonded to a 300 series stainless steel pad. The urethane provides excellent protection against damage on delicate work surfaces. Tapped hole mounting.

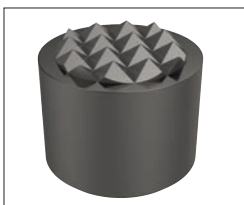
see our website for our full range:  
[wixroyd.com](http://wixroyd.com)

### Grippers



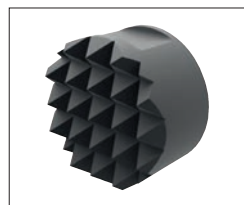
#### High Speed Tool Steel

Manufactured from M-2 high speed tool steel, hardened to Rc 60/62 with black oxide finish. Mount via tapped hole, counter bored hole or a flat on the outside diameter for set screw mounting.



#### Carbide Tipped

Constructed with high impact carbide pad brazed to a heat treated alloy steel body. Mounts via tapped hole or a flat on the outside diameter for set screw mounting.



#### Solid Carbide

Manufactured from high impact carbide in a solid gripper pad or as a solid gripper body with a threaded brazed-in steel insert. Mount via tapped hole or a flat on the outside diameter for set screw mounting.



## A Range of Specialist Gripping Pads to Suit Your Application



Unique urethane coat prevents marking of delicate components during machining or manipulation by robots. The urethane pad is permanently bonded to the stainless steel body of the gripping pad. With a bubbled texture, air is able to escape and hence avoid any suction action - enabling easy releasing of parts.

### Urethane Coated

These are available in three different urethane durometers.



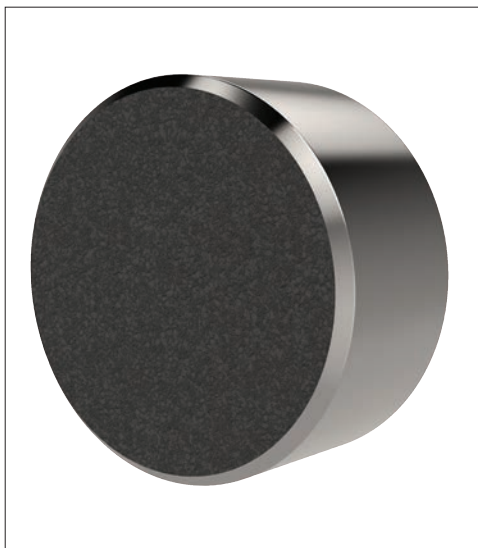
35 durometer:  
Pencil rubber top



60 durometer:  
Car tyre



80 durometer:  
Skateboard wheel



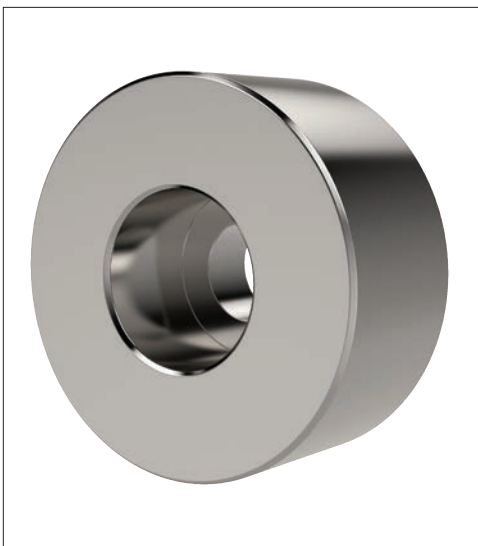
To improve handling of smooth or slippery components, with a minimum of clamping pressure, our abrasive diamond coated pads provide an excellent solution.

### Abrasive Diamond Coated

Diamond powders are permanently fused to a 17-4 stainless pad, to provide an abrasive surface comparable to 100 grit value.



Sandpaper of 100 grit texture



Pads of 17-4 Stainless, hardened to RC 43/46 provide solutions to applications where material selection is of greater importance; for example nuclear or food processing or pharmaceutical applications.

### Stainless Pads