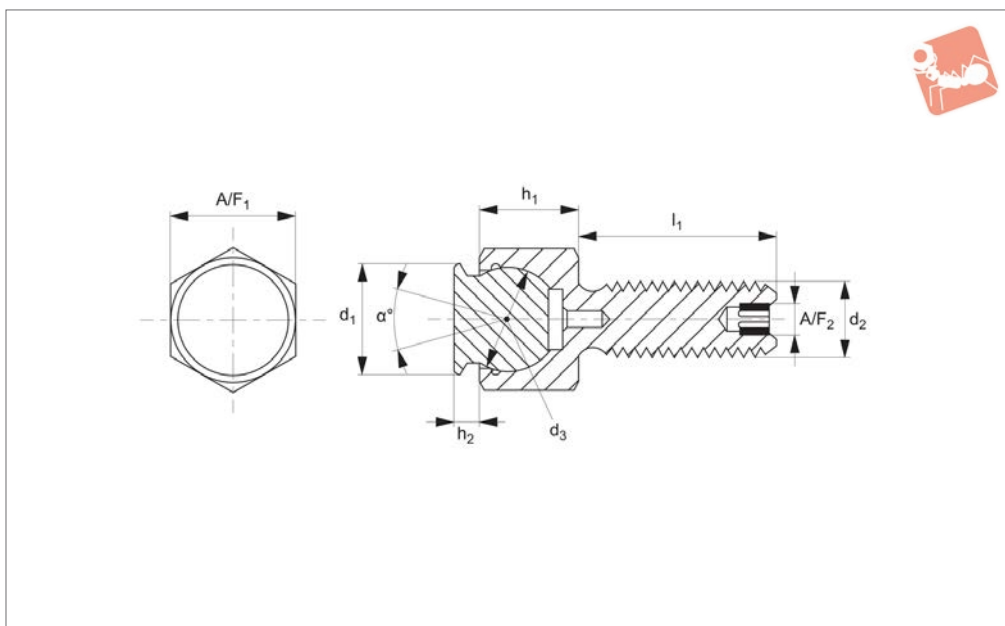




Grippers - Self Aligning diamond coated - threaded bolt

Grippers & Rest Pads



35640

GRIPPERS & REST PADS

Material

Housing body: alloy steel, heat treated to HRC 43-46, black oxide finish.

Pad: diamond powder bonded to AISI 300 series stainless steel ball.

creates an abrasive surface comparable to 100 grit abrasive value. Ideal for holding smooth or slippery components with a minimum of clamping pressure, and minimal surface marking. Excellent wear resistance.

Tips

Re-seating: expel air by using 0.3 monofilament line between ball and housing, remove line when seated correctly.

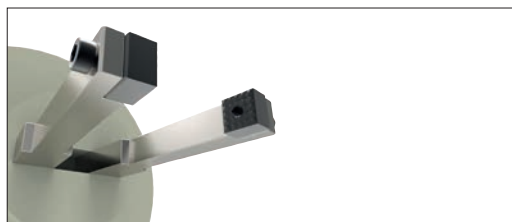
Technical Notes

Permanently fused diamond powder

Order No.	d ₁	d ₂	d ₃	h ₁ ±0.05	h ₂	l ₁	A/F ₁	A/F ₂	Swivel angle a	Load kg max.
35640.W0861	8	M 6x1,0	7	8.0	2	12	10	-	28	935
35640.W0862	8	M 6x1,0	7	8.0	2	25	10	-	28	935
35640.W0863	8	M 6x1,0	7	8.0	2	40	10	-	28	935
35640.W1181	11	M 8x1,25	10	11.5	3	12	13	-	28	1565
35640.W1182	11	M 8x1,25	10	11.5	3	25	13	-	28	1565
35640.W1183	11	M 8x1,25	10	11.5	3	40	13	-	28	1565
35640.W1410	14	M10x1,5	13	13.0	3	15	17	3	28	1902
35640.W1412	14	M10x1,5	13	13.0	3	30	17	3	28	1902
35640.W1413	14	M10x1,5	13	13.0	3	50	17	3	28	1902
35640.W1912	19	M12x1,75	15	15.0	4	20	19	5	24	3006
35640.W1913	19	M12x1,75	15	15.0	4	40	19	5	24	3006
35640.W1914	19	M12x1,75	15	15.0	4	60	19	5	24	3006
35640.W2116	21	M16x2,0	20	19.0	4	25	24	6	24	5073
35640.W2117	21	M16x2,0	20	19.0	4	50	24	6	24	5073
35640.W2118	21	M16x2,0	20	19.0	4	80	24	6	24	5073



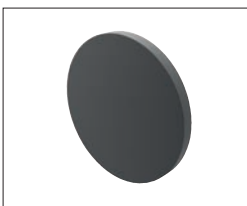
Grippers enhance workholding for multiple machining operations.



Grippers increase handling capability.

Pads and Gripper Options

Pads



Solid Carbide

High impact carbide pads, can be brazed or bonded into place.



Carbide Tipped

Constructed with high impact carbide pad brazed to a heat treated alloy steel body. Mount via tapped hole or a flat on the outside diameter for set screw mounting.



Hardened Steel

Made from 8620 steel, carburized and hardened to Rc 58/60 1.2mm with black oxide finish. Mount via tapped or counter bored hole.



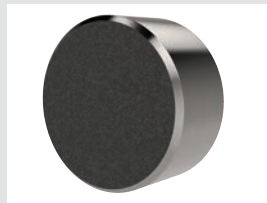
Non-marking Thermoplast

Made from white thermoplast. Mount via tapped or counter bored hole.



Stainless Steel

Pad from 17-4 stainless steel, hardened to Rc 43/46. Mount via tapped or counter bored hole.



Abrasive Diamond Surface

Abrasive surface permanently fused to a 17-4 stainless steel pad, hardened to Rc 43/46. The surface texture is comparable to a 100 grit abrasive. Mount via tapped or counter bored hole.



Soft Urethane Surface

Urethane surface is permanently bonded to a 300 series stainless steel pad. The urethane provides excellent protection against damage on delicate work surfaces. Tapped hole mounting.

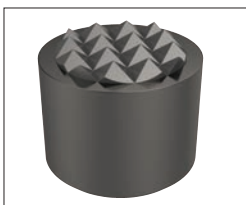
see our website for our full range:
wixroyd.com

Grippers



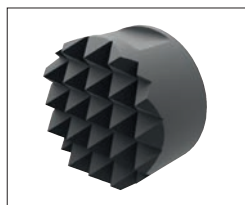
High Speed Tool Steel

Manufactured from M-2 high speed tool steel, hardened to Rc 60/62 with black oxide finish. Mount via tapped hole, counter bored hole or a flat on the outside diameter for set screw mounting.



Carbide Tipped

Constructed with high impact carbide pad brazed to a heat treated alloy steel body. Mounts via tapped hole or a flat on the outside diameter for set screw mounting.



Solid Carbide

Manufactured from high impact carbide in a solid gripper pad or as a solid gripper body with a threaded brazed-in steel insert. Mount via tapped hole or a flat on the outside diameter for set screw mounting.



A Range of Specialist Gripping Pads to Suit Your Application



Unique urethane coat prevents marking of delicate components during machining or manipulation by robots. The urethane pad is permanently bonded to the stainless steel body of the gripping pad. With a bubbled texture, air is able to escape and hence avoid any suction action - enabling easy releasing of parts.

Urethane Coated

These are available in three different urethane durometers.



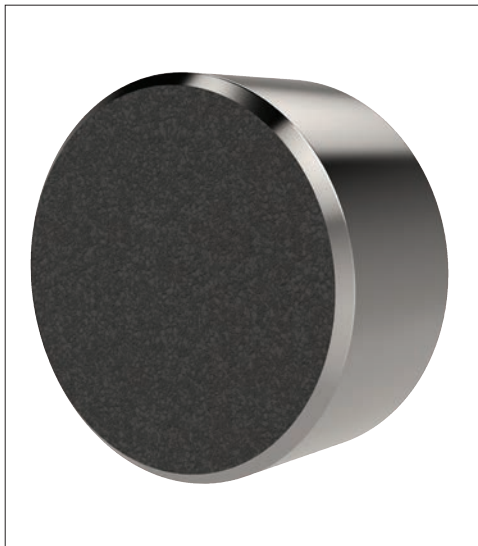
35 durometer:
Pencil rubber top



60 durometer:
Car tyre



80 durometer:
Skateboard wheel



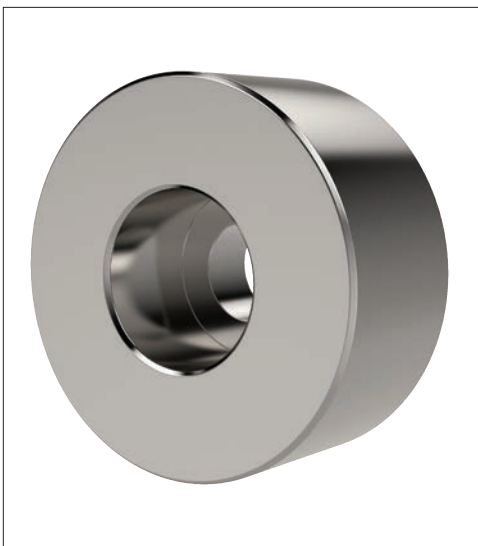
To improve handling of smooth or slippery components, with a minimum of clamping pressure, our abrasive diamond coated pads provide an excellent solution.

Abrasive Diamond Coated

Diamond powders are permanently fused to a 17-4 stainless pad, to provide an abrasive surface comparable to 100 grit value.



Sandpaper of 100 grit texture



Pads of 17-4 Stainless, hardened to RC 43/46 provide solutions to applications where material selection is of greater importance; for example nuclear or food processing or pharmaceutical applications.

Stainless Pads