

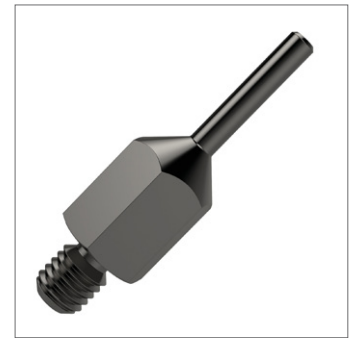
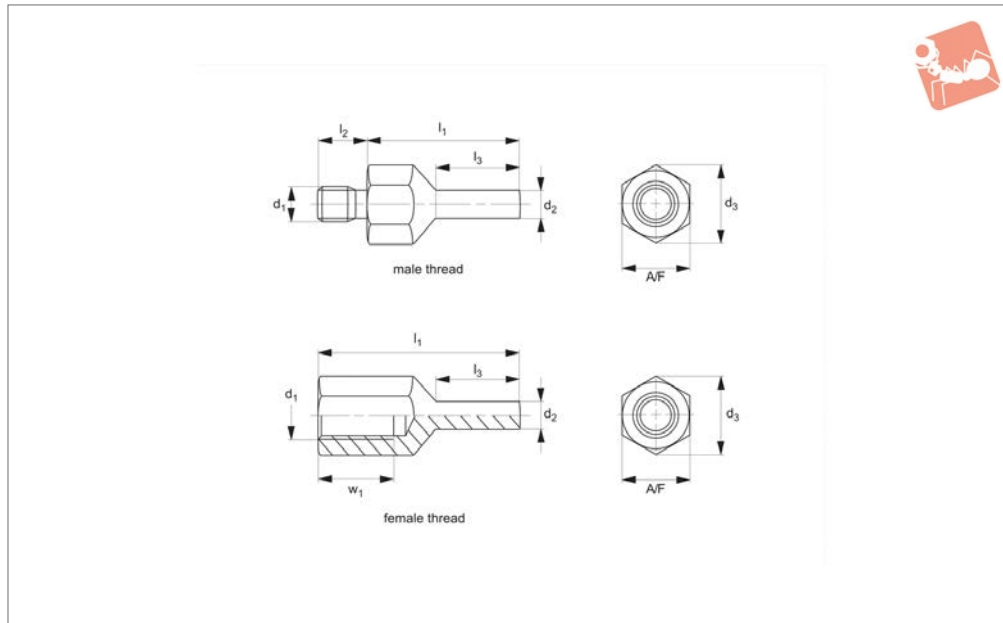


Locating Pins

pin shaped



Locating Pins



36440

LOCATING PINS

Material

Heat-treated steel, blackened. Surface induction hardened and ground.

Technical Notes

To be used as solid and precise seat and stop. The pin-shaped form of this locating

pin allows an application in components with narrow seating points.

Order No.	Finish	d ₁	l ₁ ±0.01	d ₂	l ₂	d ₃	l ₃	w ₁	A/F	Torque to Nm max.	Weight g
36440.W0402	Male Thread	M 6	20	4	8	11.0	10.0	-	10	7	8
36440.W0404	Male Thread	M 6	30	4	8	11.0	15.0	-	10	7	12
36440.W0412	Male Thread	M 8	30	4	10	14.4	15.0	-	13	18	17
36440.W0414	Male Thread	M 8	40	4	10	14.4	20.0	-	13	18	23
36440.W0416	Male Thread	M 8	30	6	10	14.4	15.0	-	13	18	20
36440.W0418	Male Thread	M 8	40	6	10	14.4	20.0	-	13	18	27
36440.W0422	Male Thread	M10	30	6	14	19.0	15.0	-	17	32	30
36440.W0424	Male Thread	M10	50	6	14	19.0	25.0	-	17	32	51
36440.W0426	Male Thread	M10	30	8	14	19.0	15.0	-	17	32	35
36440.W0428	Male Thread	M10	50	8	14	19.0	25.0	-	17	32	58
36440.W0432	Male Thread	M12	40	6	14	21.2	20.0	-	19	60	48
36440.W0434	Male Thread	M12	60	6	14	21.2	30.0	-	19	60	75
36440.W0436	Male Thread	M12	40	8	14	21.2	20.0	-	19	60	56
36440.W0438	Male Thread	M12	60	8	14	21.2	30.0	-	19	60	83
36440.W0452	Female Thread	M 6	20	4	-	11.0	8.5	6	10	7	6
36440.W0454	Female Thread	M 6	30	4	-	11.0	13.5	9	10	7	9
36440.W0462	Female Thread	M 8	30	4	-	14.4	13.0	10	13	18	13
36440.W0464	Female Thread	M 8	40	4	-	14.4	18.0	14	13	18	18
36440.W0466	Female Thread	M 8	30	6	-	14.4	13.0	10	13	18	16
36440.W0468	Female Thread	M 8	40	6	-	14.4	18.0	14	13	18	21
36440.W0472	Female Thread	M10	30	6	-	19.0	12.0	10	17	32	24
36440.W0474	Female Thread	M10	50	6	-	19.0	25.0	15	17	32	38
36440.W0476	Female Thread	M10	30	8	-	19.0	12.0	10	17	32	28
36440.W0478	Female Thread	M10	50	8	-	19.0	25.0	15	17	32	44
36440.W0482	Female Thread	M12	40	6	-	21.2	18.0	12	19	60	36
36440.W0484	Female Thread	M12	60	6	-	21.2	28.0	18	19	60	56
36440.W0486	Female Thread	M12	40	8	-	21.2	18.0	12	19	60	41
36440.W0488	Female Thread	M12	60	8	-	21.2	28.0	18	19	60	63

