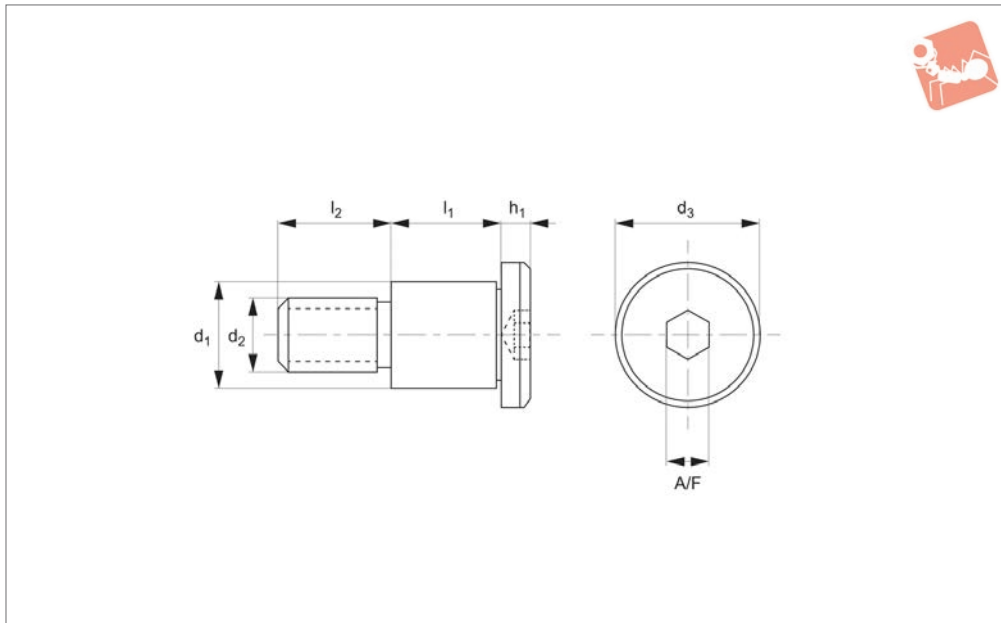




# Ultra Low Head - Shoulder Screw

hex drive - 303 stainless

## Shoulder Screws



**36650**

SHOULDER SCREWS

### Material

Stainless steel (AISI 303, 1.4305). Tensile strength 550 N/mm<sup>2</sup>. Proof stress min. 190 N/mm<sup>2</sup>, austenitic stainless steel.

### Technical Notes

These very low profile socket shoulder

screws have a head height approximately 1/3 that of normal shoulder screws (P0130).

303 Series stainless is suitable for pharmaceutical and other applications. Stainless steel suitable for marine and other appli-

cations.

Order No.	d <sub>1</sub> +0 -0.025	l <sub>1</sub> +0.05 -0.0	d <sub>2</sub>	d <sub>3</sub>	l <sub>2</sub>	h <sub>1</sub>	A/F
36650.W0401	4	4	M 3	6	4	1.3	2
36650.W0402	4	5	M 3	6	4	1.3	2
36650.W0403	4	6	M 3	6	4	1.3	2
36650.W0404	4	8	M 3	6	4	1.3	2
36650.W0405	4	10	M 3	6	4	1.3	2
36650.W0406	5	4	M 4	9	5	1.3	2.5
36650.W0407	5	5	M 4	9	5	1.3	2.5
36650.W0408	5	6	M 4	9	5	1.3	2.5
36650.W0409	5	8	M 4	9	5	1.3	2.5
36650.W0410	5	10	M 4	9	5	1.3	2.5
36650.W0411	5	12	M 4	9	5	1.3	2.5
36650.W0413	5	16	M 4	9	5	1.3	2.5
36650.W0414	5	20	M 4	9	5	1.3	2.5
36650.W0417	6	4	M 5	10	6	1.7	3
36650.W0418	6	5	M 5	10	6	1.7	3
36650.W0419	6	6	M 5	10	6	1.7	3
36650.W0420	6	8	M 5	10	6	1.7	3
36650.W0421	6	10	M 5	10	6	1.7	3
36650.W0422	6	12	M 5	10	6	1.7	3
36650.W0424	6	16	M 5	10	6	1.7	3
36650.W0425	6	20	M 5	10	6	1.7	3
36650.W0428	8	6	M 6	13	11	2.0	4
36650.W0429	8	8	M 6	13	11	2.0	4
36650.W0430	8	10	M 6	13	11	2.0	4
36650.W0431	8	12	M 6	13	11	2.0	4
36650.W0432	8	16	M 6	13	11	2.0	4
36650.W0433	8	20	M 6	13	11	2.0	4