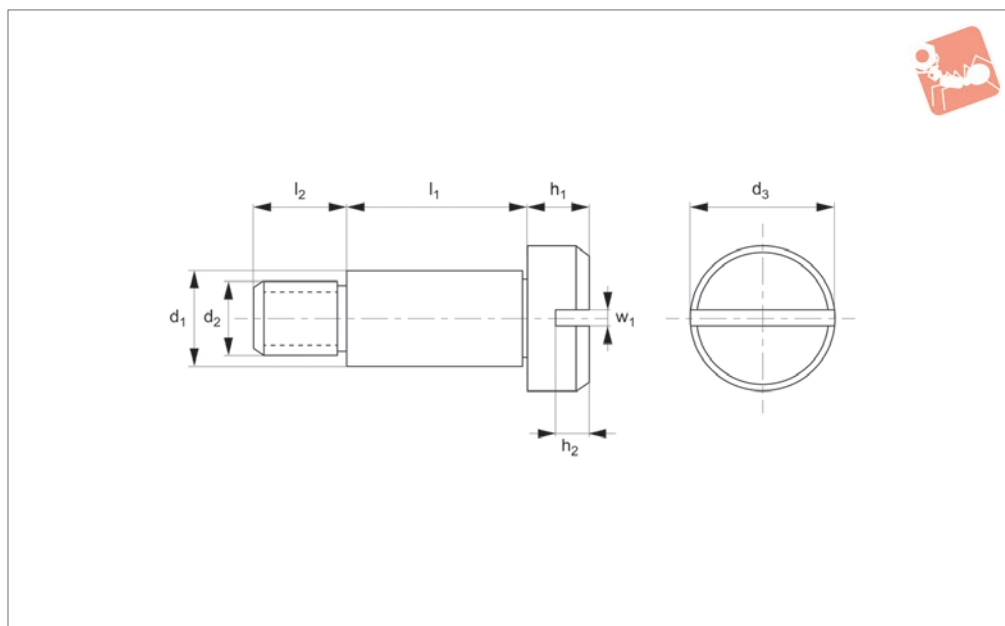




Shoulder Screw - Cap Head

slot drive - 303 stainless

Shoulder Screws



36662.A2

SHOULDER SCREWS

Material

Stainless steel (AISI 303, 1.4305). Tensile strength 550 N/mm². Proof stress min. 190 N/mm², austenitic stainless steel.

resistance to corrosion. It is mildly magnetic. screws are less expensive than the 416 steel grade (see part no. 36660), which are harder but less resistant to corrosion.

shoulder screws see part no. . . Special lengths and diameters produced to drawings.

Technical Notes

303 series stainless steel provides good

For Ø16 (and above) stainless steel

| Order No. | d ₁ +0 -0.025 | l ₁ +0.05 -0.0 | d ₂ | d ₃ | l ₂ | h ₁ | h ₂ | w ₁ |
|----------------|-----------------------------|------------------------------|----------------|----------------|----------------|----------------|----------------|----------------|
| 36662.W0404-A2 | 4 | 4 | M 3 | 6 | 4 | 3 | 0.9 | 0.8 |
| 36662.W0405-A2 | 4 | 5 | M 3 | 6 | 4 | 3 | 0.9 | 0.8 |
| 36662.W0406-A2 | 4 | 6 | M 3 | 6 | 4 | 3 | 0.9 | 0.8 |
| 36662.W0408-A2 | 4 | 8 | M 3 | 6 | 4 | 3 | 0.9 | 0.8 |
| 36662.W0410-A2 | 4 | 10 | M 3 | 6 | 4 | 3 | 0.9 | 0.8 |
| 36662.W0504-A2 | 5 | 4 | M 4 | 8 | 5 | 4 | 1.2 | 1.0 |
| 36662.W0505-A2 | 5 | 5 | M 4 | 8 | 5 | 4 | 1.2 | 1.0 |
| 36662.W0506-A2 | 5 | 6 | M 4 | 8 | 5 | 4 | 1.2 | 1.0 |
| 36662.W0508-A2 | 5 | 8 | M 4 | 8 | 5 | 4 | 1.2 | 1.0 |
| 36662.W0510-A2 | 5 | 10 | M 4 | 8 | 5 | 4 | 1.2 | 1.0 |
| 36662.W0512-A2 | 5 | 12 | M 4 | 8 | 5 | 4 | 1.2 | 1.0 |
| 36662.W0514-A2 | 5 | 14 | M 4 | 8 | 5 | 4 | 1.2 | 1.0 |
| 36662.W0516-A2 | 5 | 16 | M 4 | 8 | 5 | 4 | 1.2 | 1.0 |
| 36662.W0520-A2 | 5 | 20 | M 4 | 8 | 5 | 4 | 1.2 | 1.0 |
| 36662.W0525-A2 | 5 | 25 | M 4 | 8 | 5 | 4 | 1.2 | 1.0 |
| 36662.W0530-A2 | 5 | 30 | M 4 | 8 | 5 | 4 | 1.2 | 1.0 |
| 36662.W0604-A2 | 6 | 4 | M 5 | 10 | 6 | 5 | 1.3 | 1.2 |
| 36662.W0605-A2 | 6 | 5 | M 5 | 10 | 6 | 5 | 1.3 | 1.2 |
| 36662.W0606-A2 | 6 | 6 | M 5 | 10 | 6 | 5 | 1.3 | 1.2 |
| 36662.W0608-A2 | 6 | 8 | M 5 | 10 | 6 | 5 | 1.3 | 1.2 |
| 36662.W0610-A2 | 6 | 10 | M 5 | 10 | 6 | 5 | 1.3 | 1.2 |
| 36662.W0612-A2 | 6 | 12 | M 5 | 10 | 6 | 5 | 1.3 | 1.2 |
| 36662.W0614-A2 | 6 | 14 | M 5 | 10 | 6 | 5 | 1.3 | 1.2 |
| 36662.W0616-A2 | 6 | 16 | M 5 | 10 | 6 | 5 | 1.3 | 1.2 |
| 36662.W0620-A2 | 6 | 20 | M 5 | 10 | 6 | 5 | 1.3 | 1.2 |
| 36662.W0625-A2 | 6 | 25 | M 5 | 10 | 6 | 5 | 1.3 | 1.2 |
| 36662.W0630-A2 | 6 | 30 | M 5 | 10 | 6 | 5 | 1.3 | 1.2 |
| 36662.W0806-A2 | 8 | 6 | M 6 | 12 | 11 | 6 | 1.5 | 1.6 |
| 36662.W0808-A2 | 8 | 8 | M 6 | 12 | 11 | 6 | 1.5 | 1.6 |
| 36662.W0812-A2 | 8 | 12 | M 6 | 12 | 11 | 6 | 1.5 | 1.6 |
| 36662.W0816-A2 | 8 | 16 | M 6 | 12 | 11 | 6 | 1.5 | 1.6 |



| Order No. | d_1 +0 -0.025 | l_1 +0.05 -0.0 | d_2 | d_3 | l_2 | h_1 | h_2 | w_1 |
|-----------------------|--------------------|---------------------|-------|-------|-------|-------|-------|-------|
| 36662.W1008-A2 | 10 | 8 | M 6 | 14 | 11 | 6 | 1.5 | 1.6 |
| 36662.W1012-A2 | 10 | 12 | M 6 | 14 | 11 | 6 | 1.5 | 1.6 |
| 36662.W1108-A2 | 10 | 8 | M 8 | 14 | 12 | 7 | 1.9 | 2.0 |
| 36662.W1112-A2 | 10 | 12 | M 8 | 14 | 12 | 7 | 1.9 | 2.0 |
| 36662.W1116-A2 | 10 | 16 | M 8 | 14 | 12 | 7 | 1.9 | 2.0 |
| 36662.W1212-A2 | 12 | 12 | M10 | 20 | 16 | 8 | 2.4 | 2.5 |
| 36662.W1225-A2 | 12 | 16 | M10 | 20 | 16 | 8 | 2.4 | 2.5 |