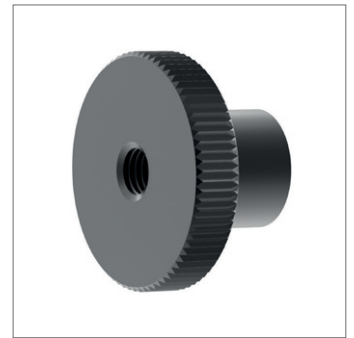
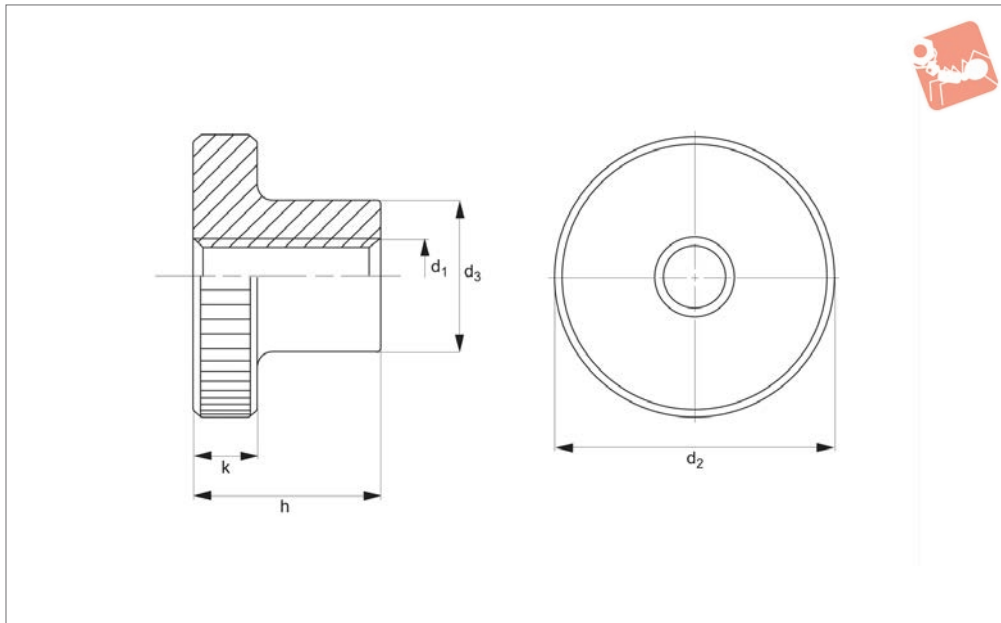




Knurled Nuts with collar - DIN 466



Thumb Screws



37100

THUMB SCREWS

Material

Steel, quality 5, blackened. Turned, visible face, good finish.

Technical Notes

Size M12 not contained in DIN standard.

Order No.	d ₁	d ₂	d ₃	h	k	Weight g
37100.W0003	M 3	12	6	7.5	2.5	2.9
37100.W0004	M 4	16	8	9.5	3.5	6.7
37100.W0005	M 5	20	10	11.5	4.0	12.0
37100.W0006	M 6	24	12	15.0	5.0	23.0
37100.W0008	M 8	30	16	18.0	6.0	44.0
37100.W0010	M10	36	20	23.0	8.0	85.0
37100.W0012	M12	40	22	25.0	10.0	119.0