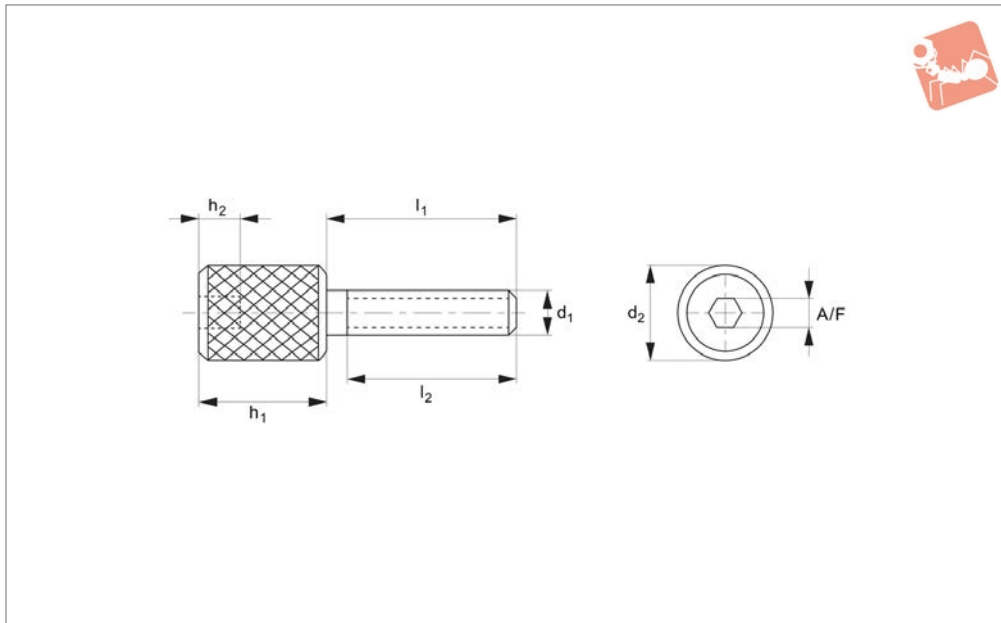




# Thin Head Thumb Screws

303 series stainless

## Thumb Screws



**37200**

THUMB SCREWS

**Material**

Stainless steel (AISI 303, 1.4305).  
Tensile strength 550 N/mm<sup>2</sup>.  
Proof stress min. 190 N/mm<sup>2</sup>, austenitic

stainless steel.

**Technical Notes**

Stainless steel 303 series is a hard stain-

less steel which may (in harsh conditions) exhibit slight signs of rusting. Typically used in food and pharmaceutical applications.

Order No.	d <sub>1</sub>	l <sub>1</sub>	d <sub>2</sub>	l <sub>2</sub>	h <sub>1</sub>	h <sub>2</sub> min.	A/F
37200.W0001	M 3	12	6	11	12	2	2
37200.W0002	M 3	20	6	16	12	2	2
37200.W0003	M 3	12	8	11	12	2	2
37200.W0004	M 3	20	8	16	12	2	2
37200.W0005	M 3	10	10	8	12	3	3
37200.W0006	M 3	12	10	11	12	3	3
37200.W0015	M 4	12	6	11	12	2	2
37200.W0016	M 4	20	6	16	12	2	2
37200.W0017	M 4	25	6	20	12	2	2
37200.W0018	M 4	12	8	11	12	2	2
37200.W0019	M 4	20	8	16	12	2	2
37200.W0020	M 4	25	8	20	12	2	2
37200.W0021	M 4	10	10	8	12	3	3
37200.W0022	M 4	14	10	12	12	3	3
37200.W0023	M 5	12	8	11	12	2	2
37200.W0024	M 5	20	8	16	12	2	2
37200.W0025	M 5	25	8	20	12	2	2
37200.W0026	M 5	32	8	25	12	2	2
37200.W0027	M 5	12	10	11	12	3	3
37200.W0028	M 5	20	10	16	12	3	3
37200.W0029	M 5	25	10	20	12	3	3
37200.W0030	M 5	32	10	25	12	3	3