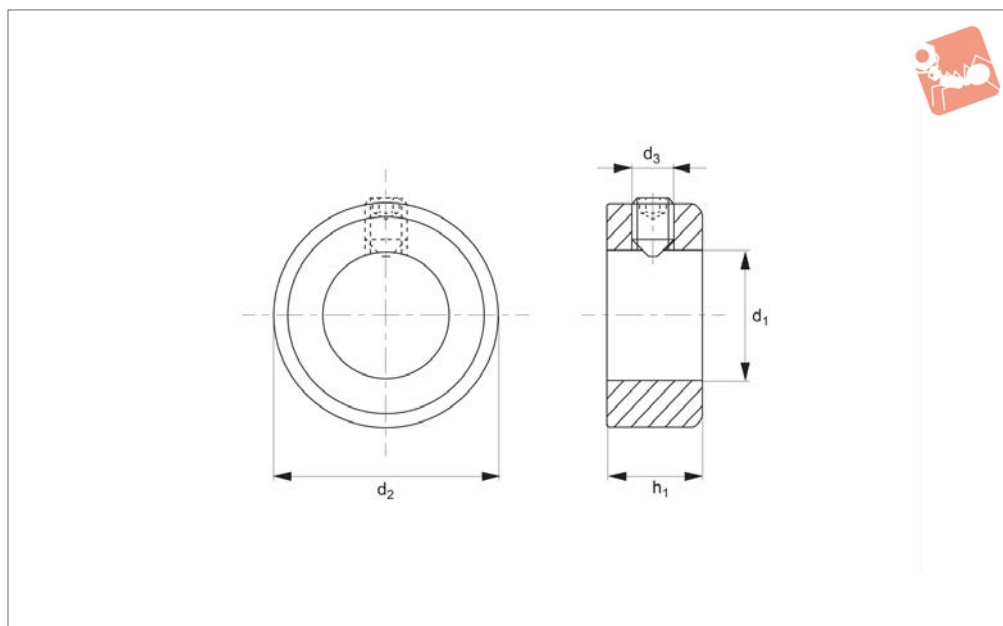


Set Collar stainless steel



Set Collars



38600

SET COLLARS

Material

Stainless steel (AISI 303, 1.4305).

Technical Notes

Grub/set screw fitted and is supplied with the set collar. The screw has a hex drive.

Order No.	d ₁ tol. H8	d ₂	d ₃	h ₁
38600.W0005	5	10	M 3x4	6
38600.W0006	6	12	M 4x5	8
38600.W0008	8	16	M 4x6	8
38600.W0009	9	18	M 5x8	10
38600.W0010	10	20	M 5x8	10
38600.W0011	11	20	M 5x8	10
38600.W0012	12	22	M 6x8	12
38600.W0013	13	22	M 6x8	12
38600.W0014	14	25	M 6x8	12
38600.W0015	15	25	M 6x8	12
38600.W0016	16	28	M 6x8	12
38600.W0018	18	32	M 6x8	14
38600.W0020	20	32	M 6x8	14
38600.W0022	22	36	M 6x10	14
38600.W0024	24	40	M 8x12	16
38600.W0025	25	40	M 8x10	16
38600.W0026	26	40	M 8x10	16
38600.W0028	28	45	M 8x12	16
38600.W0030	30	45	M 8x10	16
38600.W0032	32	50	M 8x12	16
38600.W0034	34	50	M 8x12	16
38600.W0035	35	56	M 8x12	16
38600.W0036	36	56	M 8x12	16
38600.W0038	38	56	M 8x12	16
38600.W0040	40	63	M10x16	18
38600.W0045	45	70	M10x16	18
38600.W0050	50	80	M10x16	18