

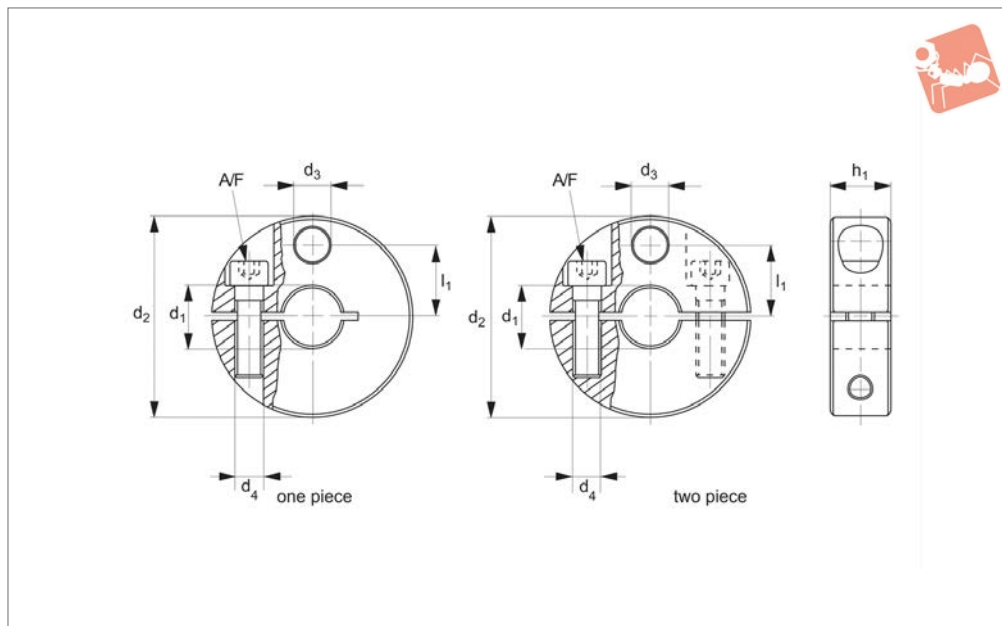


Set Collars

sensor adapter - stainless steel



Set Collars



38650

SET COLLARS

Material

Set collar and screw: stainless steel (AISI 420, 1.4021).

Technical Notes

Clamping ring made of stainless steel with

strong clamping force. Available in two versions, slotted (one piece) and divided (two piece). Clamping rings with $d_1 > 10\text{mm}$ supplied with fixing hole (d_3) for the mounting of sensors, switches etc.

Order No.	Type	d_1 tol. H8	d_2 -0.5	d_3	d_4	l_1	h_1	A/F	Weight g
38650.W0010	One piece	10	40	6.5	M 5	14.5	12	4	99
38650.W0012	One piece	12	40	6.5	M 5	14.5	12	4	94
38650.W0014	One piece	14	45	9.0	M 6	16.5	13	5	125
38650.W0015	One piece	15	45	9.0	M 6	16.5	13	5	122
38650.W0016	One piece	16	45	9.0	M 6	16.5	13	5	120
38650.W0018	One piece	18	50	9.0	M 6	18.5	13	5	151
38650.W0020	One piece	20	50	9.0	M 6	18.5	13	5	144
38650.W0022	One piece	22	65	13.0	M 8	23.5	18	6	359
38650.W0024	One piece	24	65	13.0	M 8	23.5	18	6	349
38650.W0025	One piece	25	65	13.0	M 8	23.5	18	6	345
38650.W0030	One piece	30	75	13.0	M 8	27.0	20	6	108
38650.W0032	One piece	32	80	13.0	M 8	30.0	20	6	588
38650.W0035	One piece	35	80	13.0	M 8	30.0	20	6	566
38650.W0110	Two piece	10	40	6.5	M 5	14.5	12	4	94
38650.W0112	Two piece	12	40	6.5	M 5	14.5	12	4	90
38650.W0114	Two piece	14	45	9.0	M 6	16.5	13	5	114
38650.W0115	Two piece	15	45	9.0	M 6	16.5	13	5	112
38650.W0116	Two piece	16	45	9.0	M 6	16.5	13	5	110
38650.W0118	Two piece	18	50	9.0	M 6	18.5	13	5	142
38650.W0120	Two piece	20	50	9.0	M 6	18.5	13	5	139
38650.W0122	Two piece	22	65	13.0	M 8	23.5	18	6	341
38650.W0124	Two piece	24	65	13.0	M 8	23.5	18	6	330
38650.W0125	Two piece	25	65	13.0	M 8	23.5	18	6	330
38650.W0130	Two piece	30	75	13.0	M 8	27.0	20	6	488
38650.W0132	Two piece	32	80	13.0	M 8	30.0	20	6	564
38650.W0135	Two piece	35	80	13.0	M 8	30.0	20	6	542