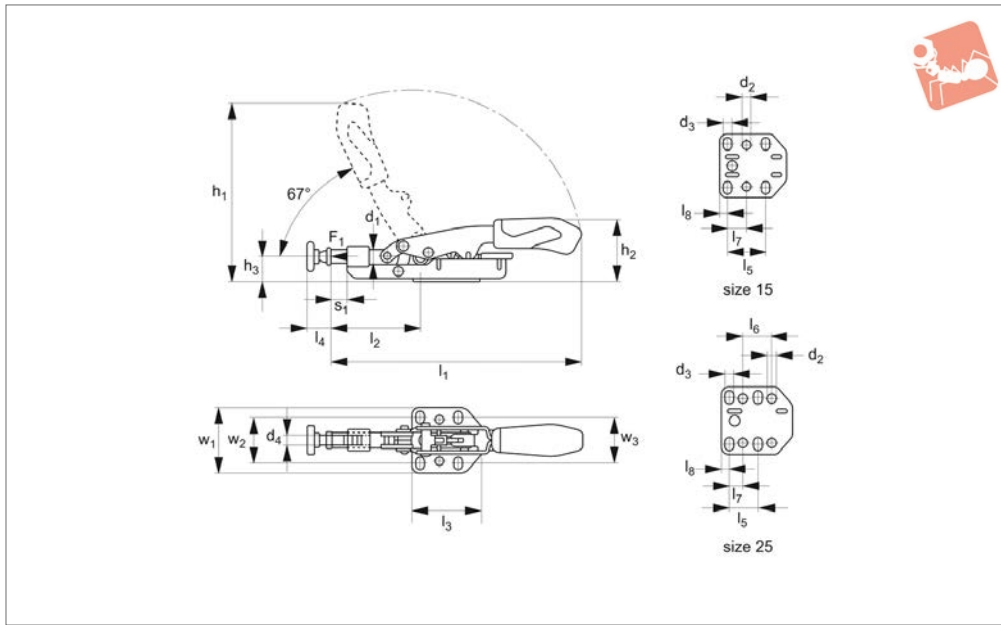




# Auto-Adjust Push-Pull Toggle Clamp

horizontal base

# Auto-Adjust Toggle Clamps



**42613**

AUTO-ADJUST TOGGLE CLAMPS

**Material**

Body: steel, zinc plated.  
Ergonomic, soft feel and oil-resistant handle with large grip area.

Supplied complete with zinc plated clamping screw (with rubber pad).

**Technical Notes**

Automatically adjusts to suit work-piece height.  
Temperature range -10°C to +80°C.

Order No.	Size	F <sub>1</sub> kN	Automatic height compensation s <sub>1</sub>		d <sub>1</sub>	d <sub>2</sub>	d <sub>3</sub>	d <sub>4</sub>	h <sub>1</sub>	h <sub>2</sub>	h <sub>3</sub>	Weight g
<b>42613.W0015</b>	15	2	8		8.5	5.5	5.5	M 6	145	58	16.8	230
<b>42613.W0025</b>	25	3	13		11.8	6.5	6.5	M 8	207	71	23.2	550

Order No.	l <sub>1</sub>	l <sub>2</sub>	l <sub>3</sub>	l <sub>4</sub> min.	l <sub>4</sub> max.	l <sub>5</sub>	l <sub>6</sub>	l <sub>7</sub>	l <sub>8</sub>	w <sub>1</sub>	w <sub>2</sub>	w <sub>3</sub>	Clamping screw	Height compensation max.
<b>42613.W0015</b>	177	52-69	45.0	13	25	26.0	-	12.7	5.3	42.5	26-32	28	M 6x37	25
<b>42613.W0025</b>	256	72-98	63.5	16	35	25.4	25.4	12.7	6.3	57.0	32-44	38	M 8x50	35

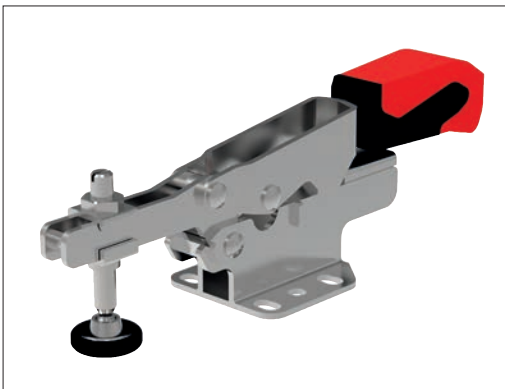


### Benefits

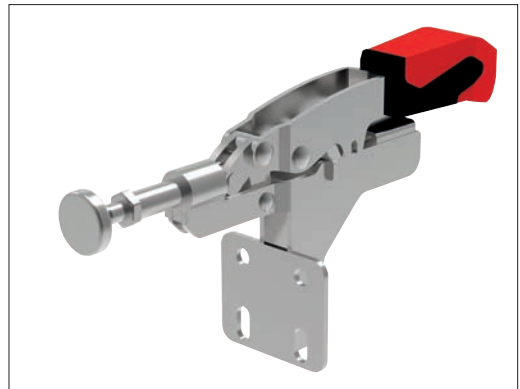
- Automatically adapts to workpiece height / width.
- Ideal for small batch sizes.
- Adjustable clamping forces.



### Example Toggle Clamps



42605 - Horizontal base - vertical acting



42611 - Push pull type - horizontal acting