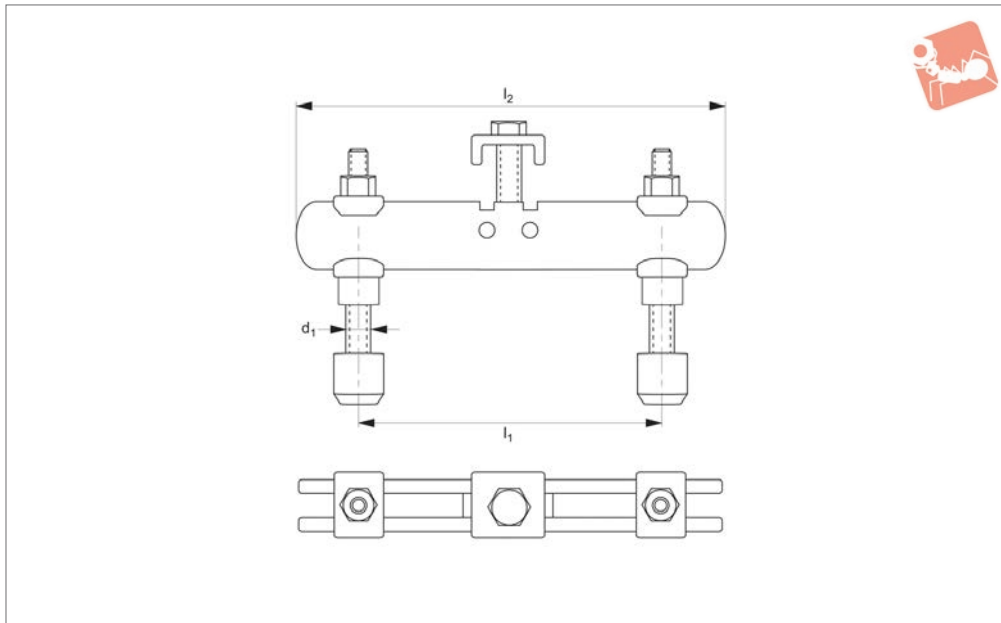


Supporting Arms for toggle clamps

Toggle Clamp Accessories



45000

TOGGLE CLAMP ACCESSORIES

Material

Steel, zinc plated. Complete with two clamping screws no. 45060 and hexagon screw.

Technical Notes

With this supporting arm there is the option of clamping either two small workpieces or one large workpiece at two

points. See table below for suitable toggle clamps.

Temperature range -10°C to +80°C.

Order No.	Size	Clamping screw d_1	Distance between screws l_1 min. max.	l_2	Weight g
45000.W0000	0	M 4x25	18-60	70	40
45000.W0001	1	M 5x30	22-72	85	65
45000.W0002	2	M 6x35	28-85	100	90
45000.W0003	3	M 8x45	34-100	120	200
45000.W0004	4	M 8x65	40-125	150	370
45000.W0005	5	M 8x65	40-125	150	370
45000.W0006	6	M12x80	54-200	240	985

