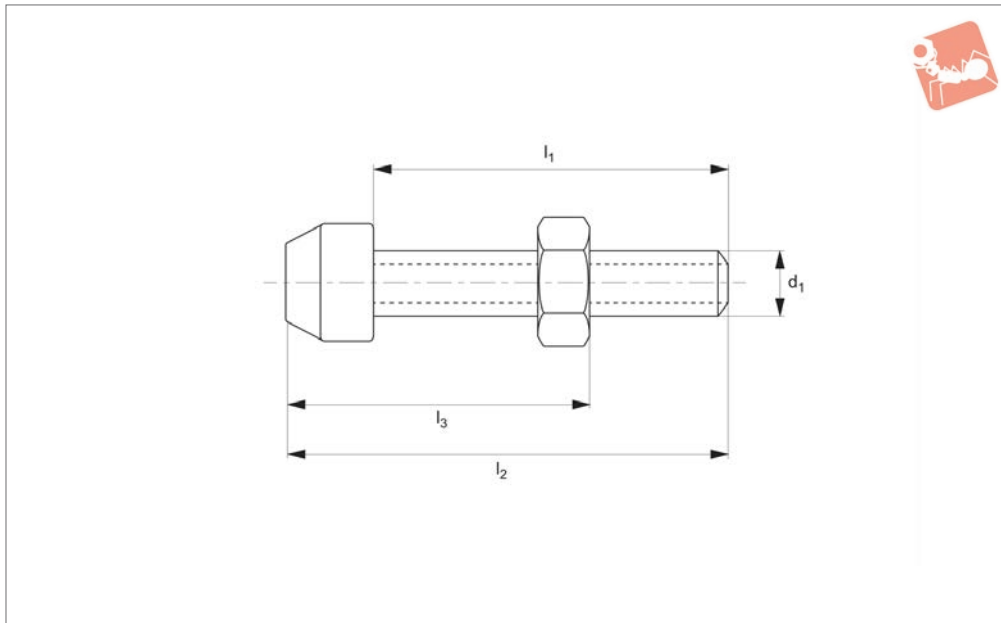




Clamping Screws for push-pull toggle clamps

Toggle Clamp Accessories



45020.1

TOGGLE CLAMP ACCESSORIES

Material

Steel: zinc plated and tempered, tensile strength class 8.8.

Stainless: stainless steel (AISI 304,

1.4301). With nut and removable rubber protection pad.

Technical Notes

Protection pad is made of oil-resistant neoprene to prevent damage to delicate workpiece surfaces, hardness 70 shore A,

Order No.	Type	Size	$d_1 \times l_1$	l_2	l_3	Weight g
45020.W0001	Steel	0+1	M 4x20	27	12-20	4
45020.W0002	Steel	2	M 6x25	35	17-25	15
45020.W0003	Steel	3	M 8x35	48	22-35	26
45020.W0005	Steel	5	M10x50	66	30-52	57
45020.W0007	Steel	7	M12x50	68	30-50	82
45020.W0008	Steel	8	M16x80	90	25-70	220
45020.W0501	Stainless	0+1	M 4x20	27	12-20	4
45020.W0502	Stainless	2	M 6x25	35	18-27	15
45020.W0503	Stainless	3	M 8x35	48	22-35	26
45020.W0507	Stainless	7	M12x50	68	30-50	82