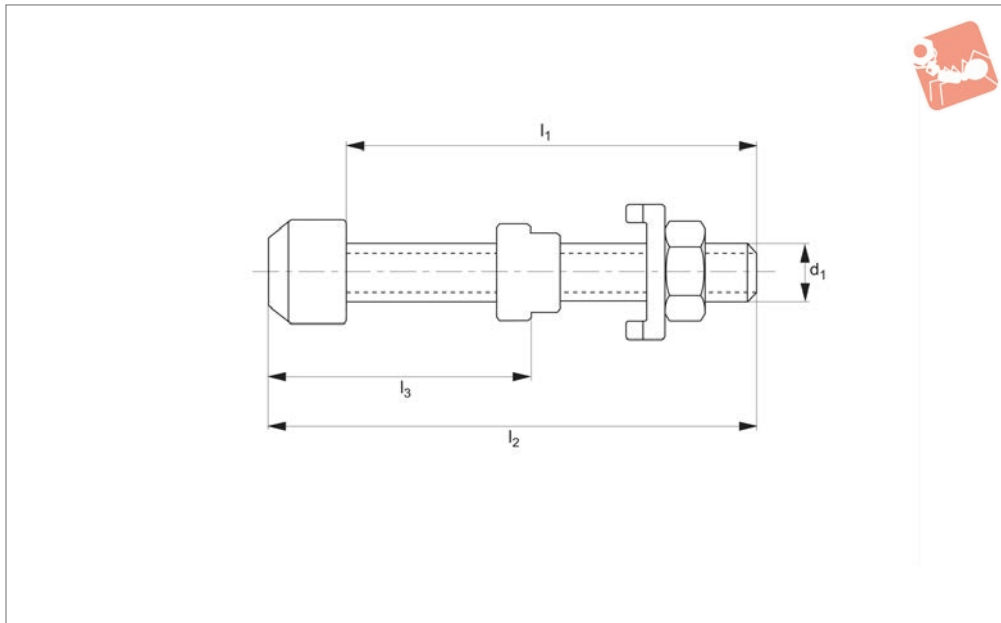




Clamping Screws for open arm toggle clamps

Toggle Clamp Accessories



45060.1

TOGGLE CLAMP ACCESSORIES

Material

Steel, zinc plated and tempered, tensile strength class 8.8 or stainless steel (AISI 304, 1.4301).

Removable protective cap made of oil-

resistant neoprene to prevent damage to delicate workpiece surfaces, hardness 70 shore A, silicone-free.

Technical Notes

Sizes 0-3, 6 supplied with washer/nut element.

Sizes 4-7 supplied with nut for T-slot.

Order No.	Type	Size	$d_1 \times l_1$	l_2	l_3	T-nut DIN 508	U-washer size	Weight g
45060.W0000	Steel	0	M 4x25	32	13-20	-	0	5
45060.W0001	Steel	1	M 5x30	38	17-24	-	1	10
45060.W0002	Steel	2	M 6x35	45	19-28	-	2	22
45060.W0012	Steel	2	M 6x50	60	19-43	-	2	30
45060.W0003	Steel	3	M 8x45	58	22-34	-	3	40
45060.W0004	Steel	4	M 8x65	78	21-50	M 8x10	4	62
45060.W0005	Steel	5	M 8x65	78	21-45	M 8x10	5	62
45060.W0016	Steel	6*	M10x116	116	28-78	-	6	122
45060.W0006	Steel	6	M12x80	97	28-58	M12x14	6	160
45060.W0007	Steel	7	M12x110	127	28-88	M12x14	6	180
45060.W0500	Stainless Steel	0	M 4x25	32	13-20	-	0	5
45060.W0501	Stainless Steel	1	M 5x30	38	17-24	-	1	10
45060.W0502	Stainless Steel	2	M 6x35	45	19-28	-	2	22
45060.W0503	Stainless Steel	3	M 8x45	58	22-34	-	3	40
45060.W0504	Stainless Steel	4	M 8x65	78	21-50	-	3	60