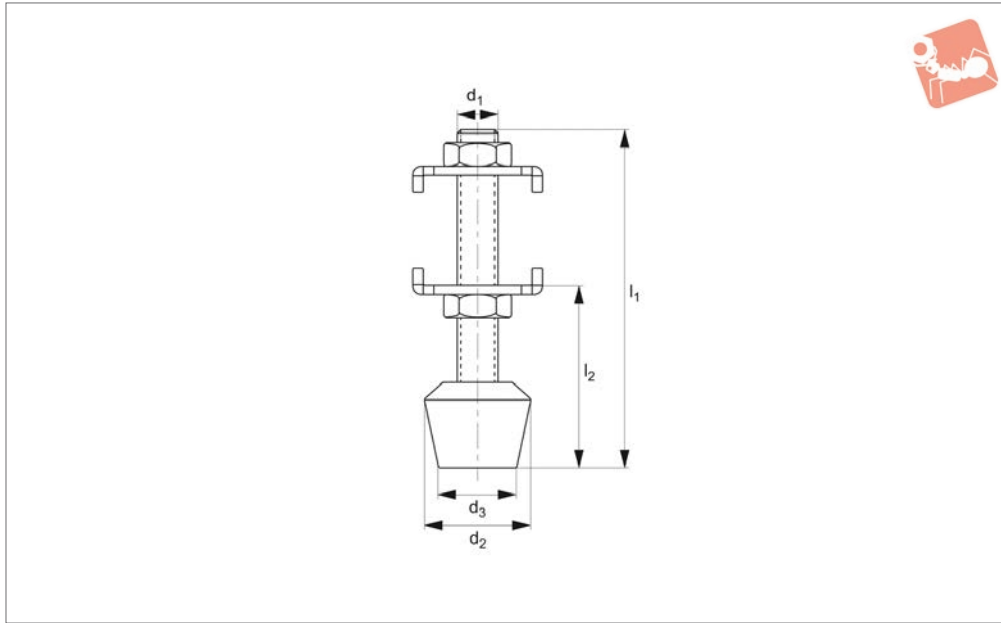




Stainless Clamping Screws for horizontal acting toggle clamp

Toggle Clamp Accessories



45062.2

TOGGLE CLAMP ACCESSORIES

Material

Stainless steel, strength class 8.8.

Pad: oil resistant neoprene, hardness 85

shore A silicone-free.

Order No.	Size	$d_1 \times l_1$	d_2	d_3	l_2	Weight g
45062.W0101	1	M 5 x 35	11	10	10-22	15
45062.W0102	2	M 6 x 50	16	12	17-29	20
45062.W0103	3	M 8 x 58	21	16	22-31	45
45062.W0104	4	M 10 x 76	26	20	28-44	95