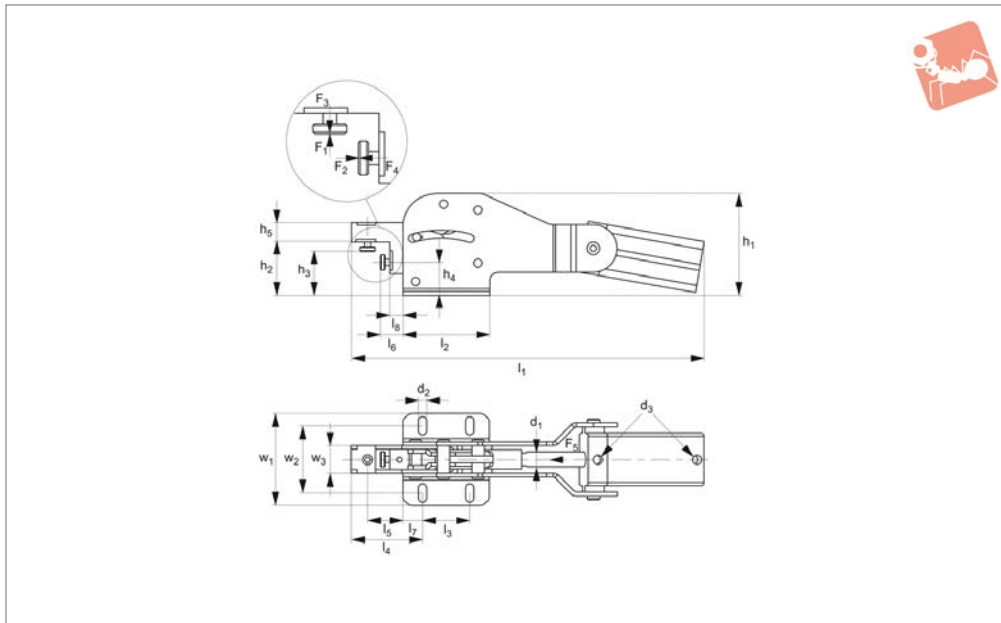




# Combi Pneumatic Toggle Clamp with horizontal cylinder attachment

## Pneumatic Toggle Clamps



### 47030

PNEUMATIC TOGGLE CLAMPS

#### Material

Body: steel, zinc plated and galvanised.  
Bushes: case hardened and greased.  
Rivets: stainless steel.  
Complete with tempered, galvanized clamping screw.

#### Technical Notes

Bearings are pre-lubricated.  
Clamp ready for installation and consists

of:

- vertical toggle clamp no. 40000 (without handle)
  - FESTO-pneumatic cylinder, double acting.
- With magnetic piston for limit position query.  
 $F_3$  and  $F_4$  = max. clamping force at 6 bar.  
 $V_n$  = air consumption per double stroke in  $dm^3$  at 6 bar.

Suitable proximity switches for end-position monitoring are available using order 45001. 0.3m PUR cable with M8 connector and rotatable knurled nuts.  
Switching function: NOC. Output: PNP.

#### Tips

The console is self-supporting and must be clear of other surfaces. There is a valve for controlling the speed of operation.

Order No.	Size	$F_1/F_2$ kN	$F_3$ kN	$F_4$ kN	$F_5$ kN	Piston dia.	$d_1$	$d_2$	$d_3$	$h_1$	$h_2$	$h_3$ min.	$h_3$ max.	$h_4$	Weight g
47030.W0001	1	1	0.3	0.1	0.3	25	5.5	10	M 5	68	36.0	25	32	22	770
47030.W0002	2	2	0.5	0.3	0.4	32	6.5	12	G1/8	88	46.0	30	40	28	1450
47030.W0003	3	3	0.7	0.4	0.8	40	8.5	16	G1/8	106	55.5	40	50	34	3050

Order No.	$h_5$	$l_1$	$l_2$	$l_3$	$l_4$	$l_5$	$l_6$ min.	$l_6$ max.	$l_7$	$l_8$	$V_n$ $dm^3$	$w_1$	$w_2$	$w_3$
47030.W0001	12	225	55	40	33	15	5	10	7.5	0.5	0.3	53	34,5-39,5	17.0
47030.W0002	16	305	75	50	56	32	10	20	12.5	10.5	0.4	75	55.0	19.5
47030.W0003	20	370	90	50	74	37	20	30	20.0	14.0	0.8	96	70.0	29.0