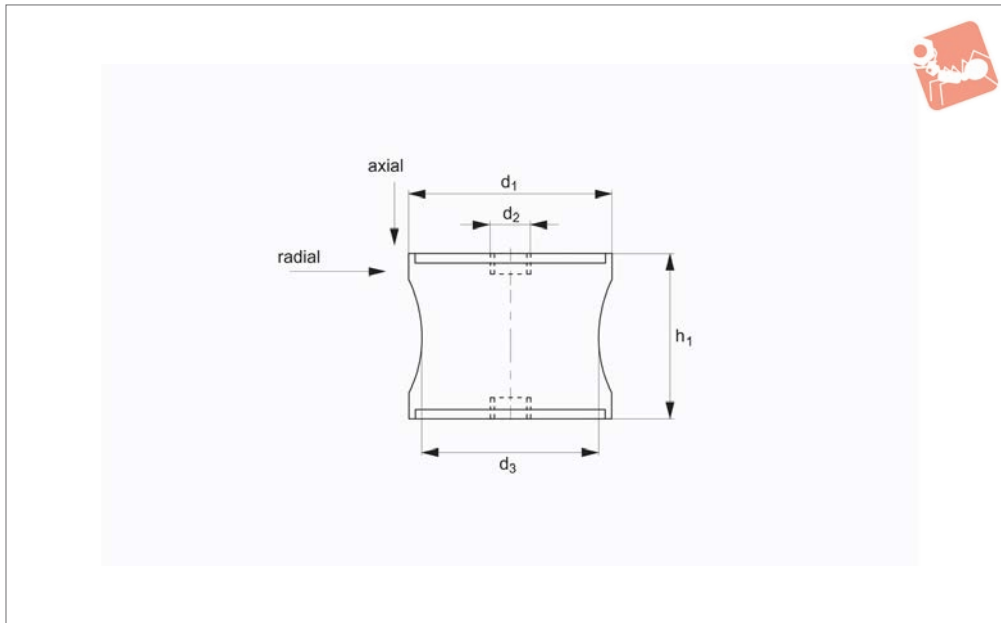




Anti-vibration Cylinders Waisted female:female

Anti-Vibration



61102

ANTI-VIBRATION

Material

Rubber on silver zinc plated steel (rubber hardness - 55 Shore A).

Technical Notes

For rubber mounted on stainless steel see

part no. 61104

Tips

These cylinders are used to reduce vibration by allowing some movement (in axial and radial as shown in drawing).

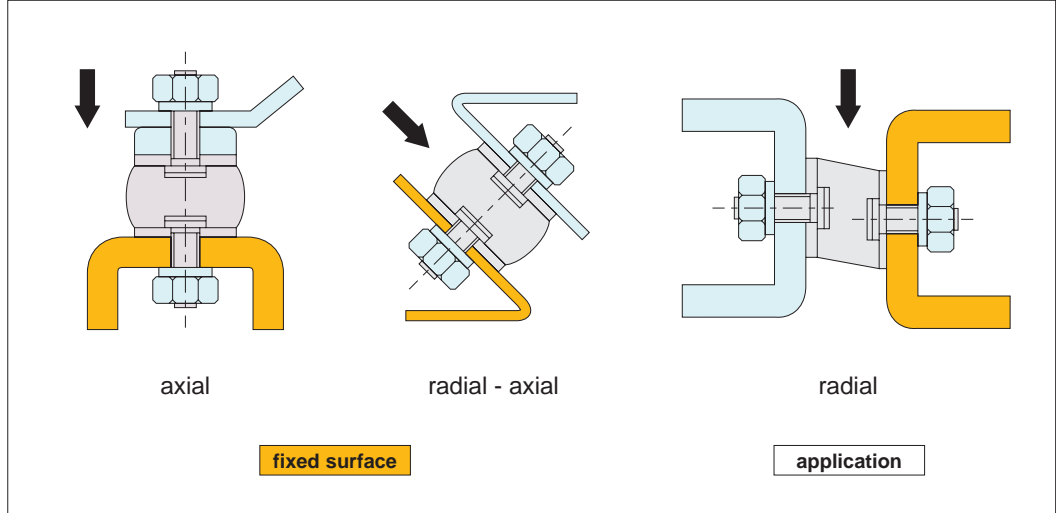
Typically used in machinery, compressors, air conditioning units, light engineering equipment etc.

Order No.	Compression max.	d ₁	h ₁	d ₂	d ₃	Axial load kgf max.	Radial load kgf max.
61102.W0200	2.5	20	20	M 6	12	12	3.0
61102.W0300	4	30	25	M 8	24	40	4.0
61102.W0400	5	40	28	M10	22	30	2.5
61102.W0600	5	60	36	M10	37	40	7.0
61102.W0601	4	60	43	M10	35	75	12
61102.W0602	6	60	60	M10	51	150	30
61102.W0700	6	70	56	M12	50	220	45
61102.W0900	4	90	50	M12	80	800	65
61102.W0950	9.5	95	76	M12	80	400	70
61102.W1080	10	108	85	M16	95	800	75



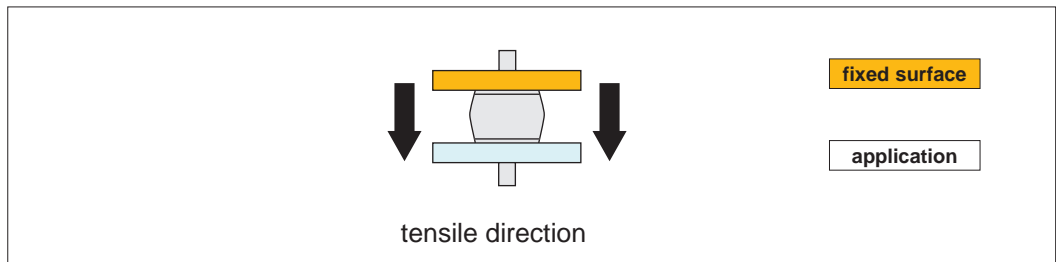
Acceptable loads

Cylindrical mounts are never to be used in tension, they should only be used in axial or radial. Radial loads are however considerably less than axial loads. Parts with small diameters (d_1) and relatively long lengths (h) cannot accept radial loads.



Installation

Incorrect installation



Correct installation

The height of the insulator may vary as the rubber is compressed under load.

Do not remove the rubber burr around the edge of the metal, this could cause detachment of rubber from the metal studs.

