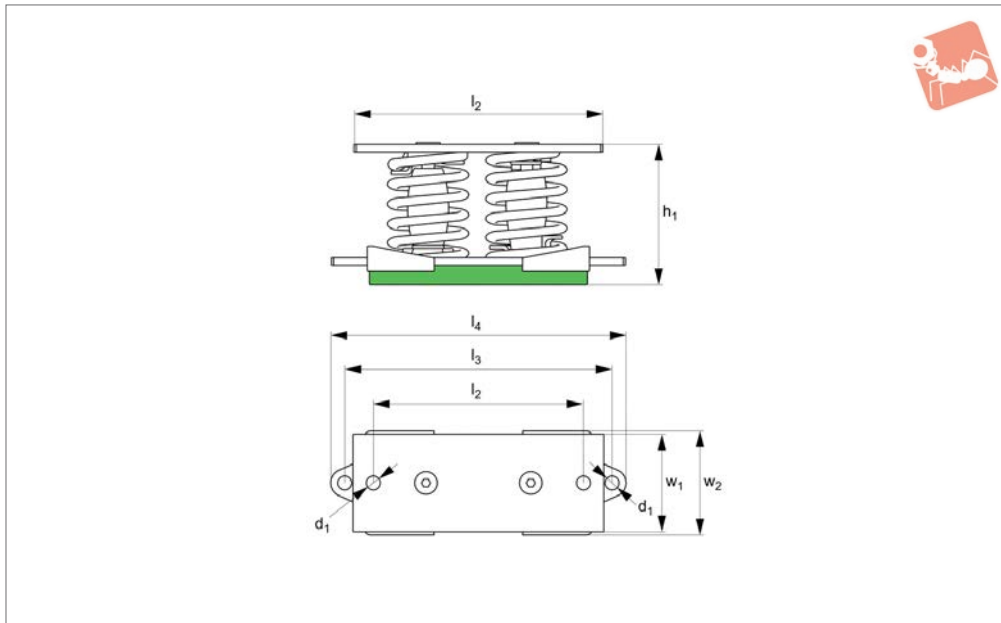




# Spring Vibration Damper two spring two spring

Anti-Vibration



61923

ANTI-VIBRATION

### Material

High tensile steel with sylomer anti-slide base

porate, isolates the mid-high frequency vibrations which are transmitted through the coils of the metal springs.

compressors, pump and pumping equipment and acoustic isolation of premises.

### Technical Notes

The sylomer mat that these dampers incor-

### Tips

These are used in sectors such as air

Order No.	Spring colour	$l_1$	$h$	$d$	$w_1$	$l_2$	$l_3$	$l_4$	$w_2$	Compression max.	Load kgf max.	Weight kg
61923.W0120	Blue	200	136	12	75	170	220	244	81	30	300	3.10
61923.W0121	White	200	136	12	75	170	220	244	81	30	400	3.17
61923.W0122	Black	200	136	12	75	170	220	244	81	30	500	3.35
61923.W0123	Cream	200	136	12	75	170	220	244	81	30	700	3.70
61923.W0140	Light Grey	250	136	14	100	210	270	298	106	17	1000	5.90
61923.W0141	Green	250	136	14	100	210	270	298	106	17	1500	6.84