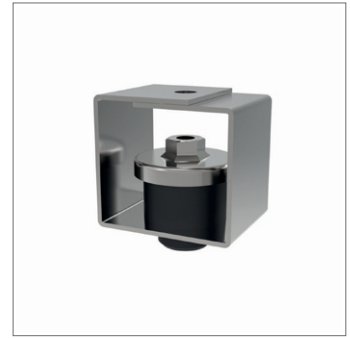
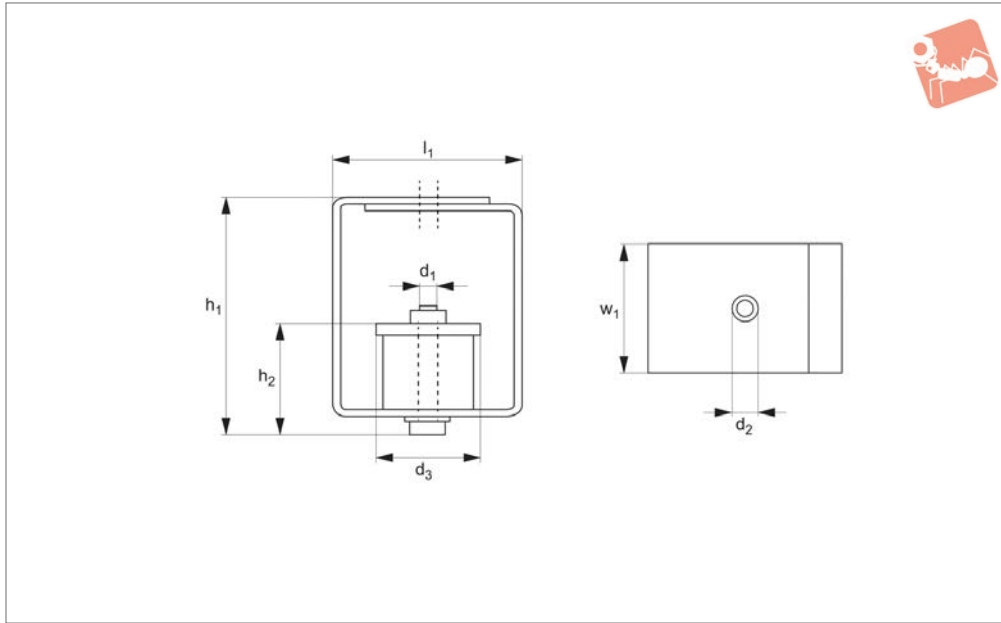




# Acoustic Suspension Hanger without nut

Anti-Vibration



**61933**

ANTI-VIBRATION

**Material**

Steel anti-corrosive zinc plated, with rubber (50 shore A) cylinder.

where objects are suspended from ceilings. The spring in the body provides good anti-vibration properties.

load to be carried per unit. These hanger can be used for fans, distribution pipes, ducts and acoustic ceilings.

**Technical Notes**

These units are designed for installations

**Tips**

Select the damper corresponding to the

Order No.	d <sub>1</sub>	w <sub>1</sub>	h <sub>1</sub>	d <sub>2</sub>	d <sub>3</sub>	h <sub>2</sub>	l <sub>1</sub>	Load kgf max.
61933.W0030	M6	40	47	8	30	30	40	30
61933.W0060	M6	40	47	8	30	30	40	60